

Features

- Fixture and touchless flushometer combination is engineered for optimal performance
- Washout urinal
- 0.125 gpf (0.47 lpf)
- 3/4" (19 mm) top spud
- Flush valve activation distance is factory-set
- No external flush volume adjustment ensures water conservation
- 24-hour automatic sentinel flush keeps trapway fresh
- Mechanical override enables flushometer to be used manually even during a power outage
- Chloramine and chlorine resistance on all rubber components exposed to waterway
- Locking stop cap provides protection against vandalism
- 125-micron filter protects internal components
- High back pressure vacuum breaker
- Powered by 1.5V AA lithium batteries
- For this combination, order K-20713-ET urinal and K-10UD00D20 flushometer
- Patented piston technology for superior flush volume accuracy
- This product can help a building earn Water Efficiency points in LEED® Green Building Rating System

Material

- Vitreous china urinal
- Brass flush valve with durable Polished Chrome finish

Technology

- Electronic infrared sensor with Tripoint® technology for accurate activation



ADA

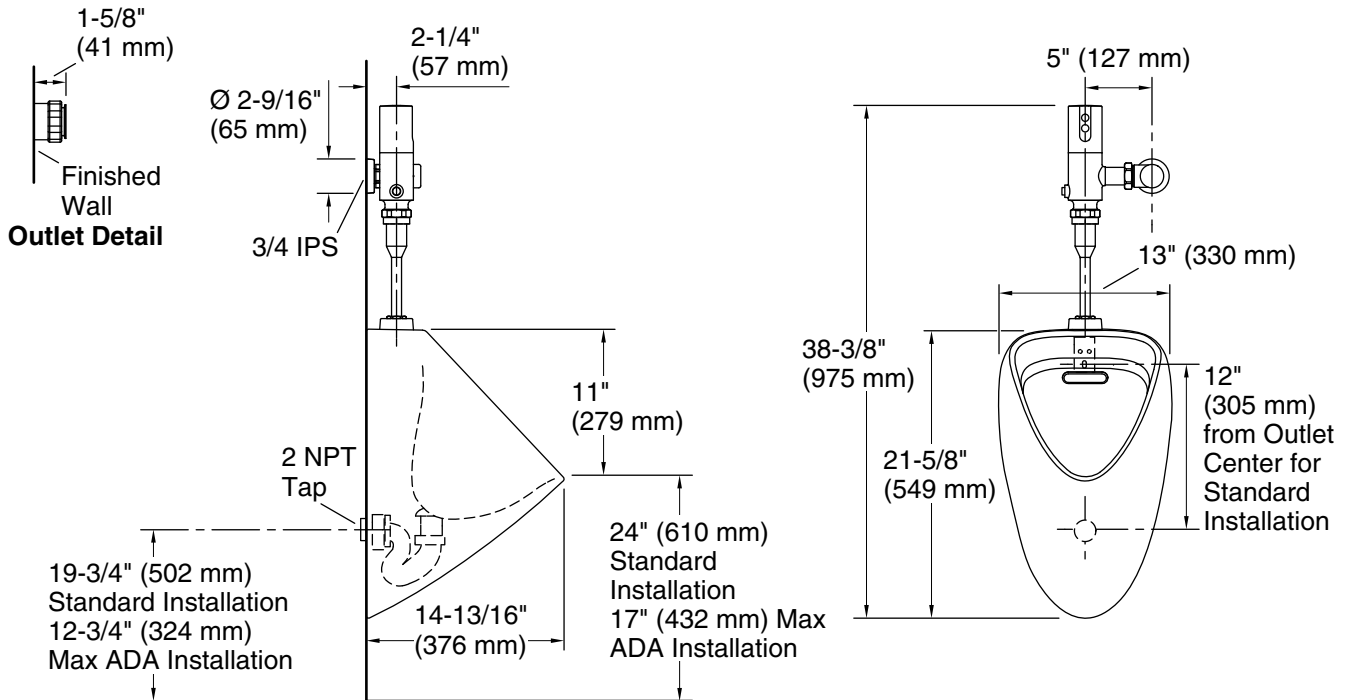
Codes/Standards

ASME A112.18.1/CSA B125.1
ASME A112.19.2/CSA B45.1
ASSE 1037/ASME A112.1037/CSA B125.37
DOE - Energy Policy Act 1992
EPA WaterSense®
California Energy Commission (CEC)
ADA
ICC/ANSI A117.1

KOHLER® One-Year Limited Warranty

See website for detailed warranty information.

Note: Customer Connection Pipe must have 2 NPT External Thread.



Technical Information

All product dimensions are nominal.

| | |
|-----------------------|---------------------|
| Spud size: | 3/4, Outlet, Top |
| Min. Water per Flush: | 0.125 gpf (0.5 lpf) |
| Max. Water per Flush: | 0.125 gpf (0.5 lpf) |

Designed for the above water use when installed with a water-saving flushometer.

Pressure and Supply Requirements

| | |
|--------------------------------|--------------------|
| Fixture pressure min (static): | 25 psi (172.4 kPa) |
| Fixture flow rate min: | 25 gpm (94.6 lpm) |
| Fixture pressure max (static): | 80 psi (551.6 kPa) |

Notes

Install this product according to the installation instructions.

Product dimensions are nominal and may vary per ASME A112.19.2 tolerances.

ADA compliant when installed to the specific requirements of these regulations.