

### Features

- Fixture and touchless flushometer combination is engineered for optimal performance
- Washout urinal
- 0.5 gpf (1.9 lpf)
- 3/4" (19 mm) top spud
- Flush valve activation distance is factory-set
- No external flush volume adjustment ensures water conservation
- 24-hour automatic sentinel flush keeps trapway fresh
- Mechanical override enables flushometer to be used manually even during a power outage
- Chloramine and chlorine resistance on all rubber components exposed to waterway
- Locking stop cap provides protection against vandalism
- 125-micron filter protects internal components
- High back pressure vacuum breaker
- Powered by 1.5V AA lithium batteries
- For this combination, order K-20713-ET urinal and K-10UD00G20 flushometer
- Patented piston technology for superior flush volume accuracy
- This product can help a building earn Water Efficiency points in LEED® Green Building Rating System

### Material

- Vitreous china urinal
- Brass flush valve with durable Polished Chrome finish

### Technology

- Electronic infrared sensor with Tripoint® technology for accurate activation



ADA

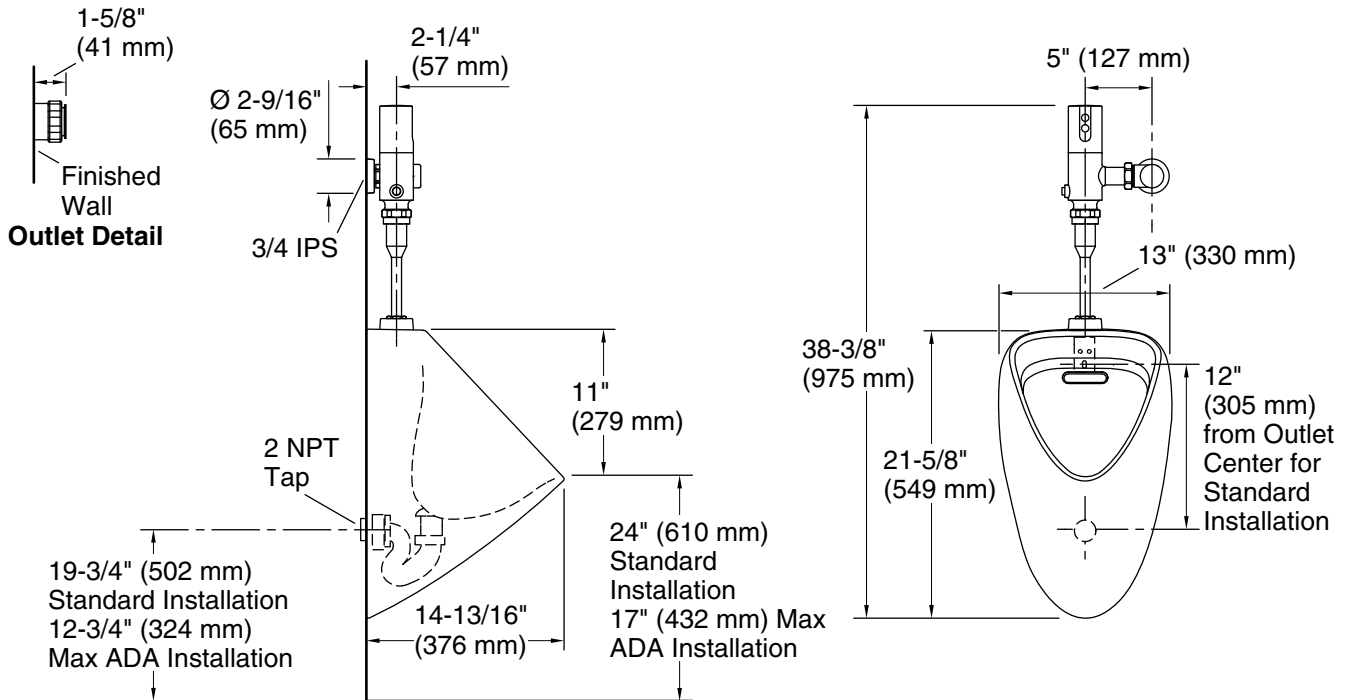
### Codes/Standards

ASME A112.18.1/CSA B125.1  
ASME A112.19.2/CSA B45.1  
ASSE 1037/ASME A112.1037/CSA B125.37  
DOE - Energy Policy Act 1992  
EPA WaterSense®  
ADA  
ICC/ANSI A117.1

### KOHLER® One-Year Limited Warranty

See website for detailed warranty information.

**Note:** Customer Connection Pipe must have 2 NPT External Thread.



### Technical Information

All product dimensions are nominal.

Spud size:	3/4, Outlet, Top
Min. Water per Flush:	0.5 gpf (1.9 lpf)
Max. Water per Flush:	0.5 gpf (1.9 lpf)

Designed for the above water use when installed with a water-saving flushometer.

### Pressure and Supply Requirements

Fixture pressure min (static):	25 psi (172.4 kPa)
Fixture flow rate min:	25 gpm (94.6 lpm)
Fixture pressure max (static):	80 psi (551.6 kPa)

### Notes

Install this product according to the installation instructions.

Product dimensions are nominal and may vary per ASME A112.19.2 tolerances.

ADA compliant when installed to the specific requirements of these regulations.