

## Features

- Two Lever handles offer separate control of hot and cold water
- Coordinates with other products in the Riff collection
- Trim only, requires valve to complete installation

## Material

- Premium metal construction for durability and reliability
- KOHLER finishes resist corrosion and tarnishing

## Installation

- Deck- or bath-mount

## Required Products/Accessories

K-300-K 1/2" ceramic high-flow valve system

or

K-301-K 3/4" high-flow bath valve

## Recommended Products/Accessories

K-27409 18" towel bar

K-27410 24" towel bar

K-27411 Double robe hook

K-27412 Towel ring

K-27413 Pivoting toilet paper holder



ADA

CSA B651

OBC

## Codes/Standards

ASME A112.18.1/CSA B125.1

ADA

ICC/ANSI A117.1

CSA B651



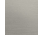


OBC

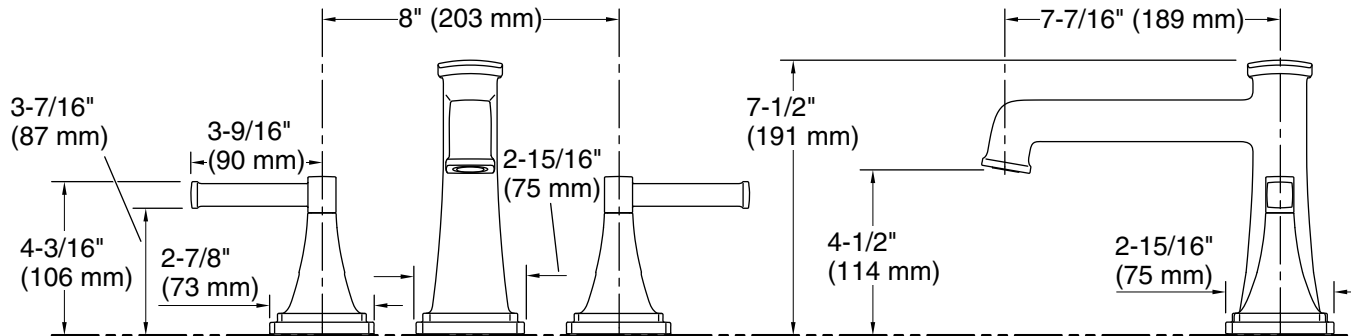
## KOHLER® Faucet Lifetime Limited Warranty

See website for detailed warranty information.

## Available Colors/Finishes

*Color tiles intended for reference only.*

Color	Code	Description
	CP	Polished Chrome
	SN	Vibrant® Polished Nickel
	BN	Vibrant® Brushed Nickel
	BL	Matte Black
	2MB	Vibrant® Brushed Moderne Brass



## Technical Information

All product dimensions are nominal.

### Spout:

Spout reach: 7-1/2" (190 mm)

## Notes

Install this product according to the installation instructions.

ADA, OBC, CSA B651 compliant when installed to the specific requirements of these regulations.