

### Features

- Designed in collaboration with Studio McGee
- Two cross handles offer separate control of hot and cold water
- 11.0 gpm (41.6 lpm) maximum bath faucet flow rate at 45 psi (3.1 bar)
- Coordinates with other products in the Castia collection
- Requires valve (sold separately)

### Material

- Premium metal construction for durability and reliability
- KOHLER finishes resist corrosion and tarnishing

### Installation

- Wall-mount

### Required Products/Accessories

For wall-mount installation

K-20716-K Two-handle wall-mount bath faucet valve

### Recommended Products/Accessories

K-35925 18" towel bar

K-35926 24" towel bar

K-35927 Double robe hook

K-35928 Towel ring

K-35929 Toilet paper holder

K-23726 Drain treatment



ADA

CSA B651

OBC

### Codes/Standards

ASME A112.18.1/CSA B125.1

ADA

ICC/ANSI A117.1

CSA B651



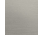


OBC

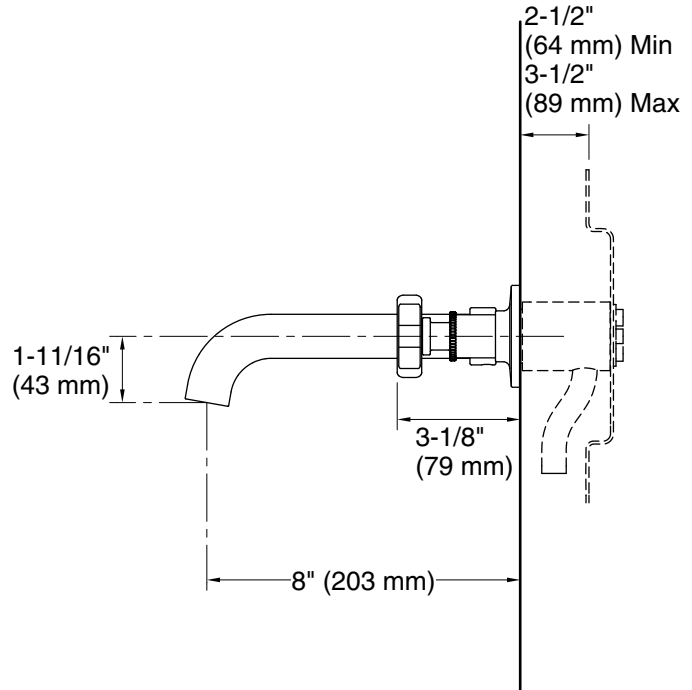
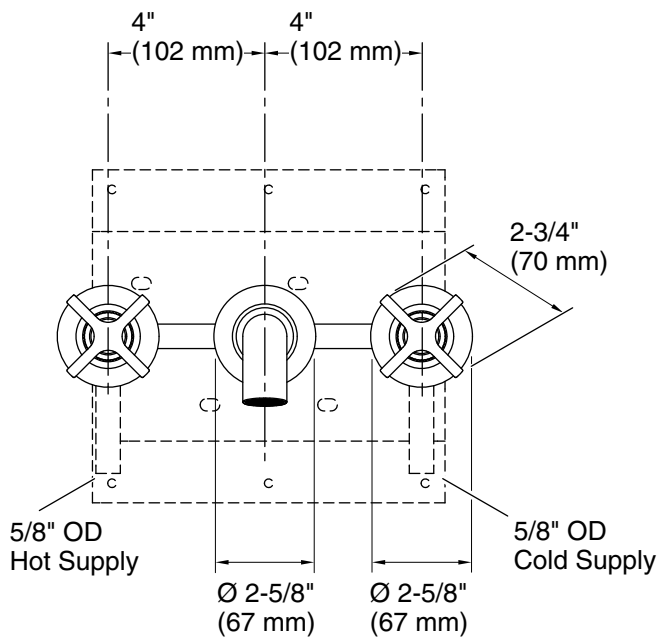
### KOHLER® Faucet Lifetime Limited Warranty

See website for detailed warranty information.

### Available Colors/Finishes

*Color tiles intended for reference only.*

Color	Code	Description
	CP	Polished Chrome
	SN	Vibrant® Polished Nickel
	BN	Vibrant® Brushed Nickel
	BL	Matte Black
	2MB	Vibrant® Brushed Moderne Brass



**Technical Information**

All product dimensions are nominal.

Faucet flow rate: 11 gal/min (41.6 l/min)

**Spout:**

Spout reach: 8" (203 mm)

**Notes**

Install this product according to the installation instructions.

ADA, OBC, CSA B651 compliant when installed to the specific requirements of these regulations.