

**Features**

- Includes faceplate with handle
- Single lever handle controls flow to outlets
- Valve (sold separately) can be configured on site for 2- or 3-outlet operation
- 360° handle rotation with three-outlet operation
- 120° handle rotation with two-outlet operation
- Complements Composed faucets and accessories
- Trim only; requires K-728-K two- or three-way transfer valve, or K-737-K two- or three-way diverter valve (sold separately)



**Material**

- Premium material construction with metal handle ensures reliability and durability
- KOHLER finishes resist corrosion and tarnishing

**Installation**

- Trim only; requires valve to complete installation (sold separately)
- Patented K-joint installation technology ensures consistent trim appearance, regardless of variability in valve rough-in

**Required Products/Accessories**

- K-728-K 3/4" two- or three-way transfer valve
- or
- K-737-K 3/4" Two- or Three-Way Diverter Valve

**ADA** **CSA B651** **OBC**

**Codes/Standards**






ASME A112.18.1/CSA B125.1  
 ADA  
 ICC/ANSI A117.1  
 CSA B651  
 OBC

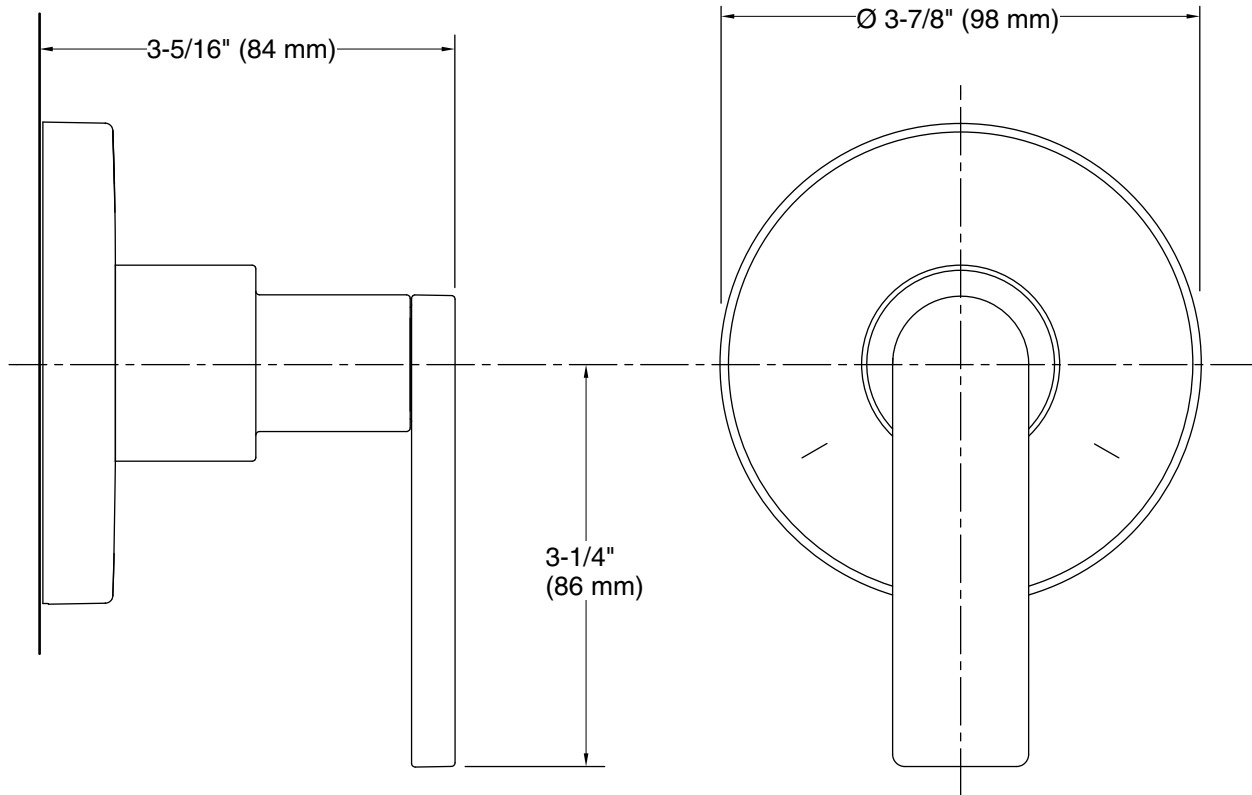
**KOHLER® Faucet Lifetime Limited Warranty**

See website for detailed warranty information.

**Available Colors/Finishes**

*Color tiles intended for reference only.*

| Color   | Code | Description                    |
|---|------|--------------------------------|
|  | CP   | Polished Chrome                |
|  | BL   | Matte Black                    |
|  | 2MB  | Vibrant® Brushed Moderne Brass |
|  | TT   | Vibrant Titanium               |
|  | BGP  | Vibrant Brushed Graphite       |



**Technical Information**

All product dimensions are nominal.

**Spout:**

**Notes**

Install this product according to the installation instructions.

ADA, OBC, CSA B651 compliant when installed to the specific requirements of these regulations.