

Features

- Includes lever handle, single-function showerhead, shower arm and flange, valve trim, and nondiverter bathtub spout with NPT or slip-fit connection
- Single lever handle allows for both on/off activation and temperature setting
- Rite-Temp® pressure-balancing technology maintains water temperature within +/- 3°F
- Integrated push-button diverter
- 1.75 gpm (6.6 lpm) showerhead with Katalyst® air-induction technology

Material

- Premium material construction for durability and reliability
- KOHLER finishes resist corrosion and tarnishing

Installation

- Trim only; requires K-11748-K or K-11748-KS Rite-Temp pressure-balancing valve (sold separately)

Required Products/Accessories

K-11748 Series Rite-Temp® Valves

Adapters, Rough-in and Extension Kits

1226074-*

Range: 3-1/2" (89 mm) -
4-1/4" (108 mm)



Codes/Standards

ASME A112.18.1/CSA B125.1
DOE - Energy Policy Act 1992
EPA WaterSense®
California Energy Commission (CEC)

KOHLER® Faucet Lifetime Limited Warranty

See website for detailed warranty information.

Available Colors/Finishes

Color tiles intended for reference only.

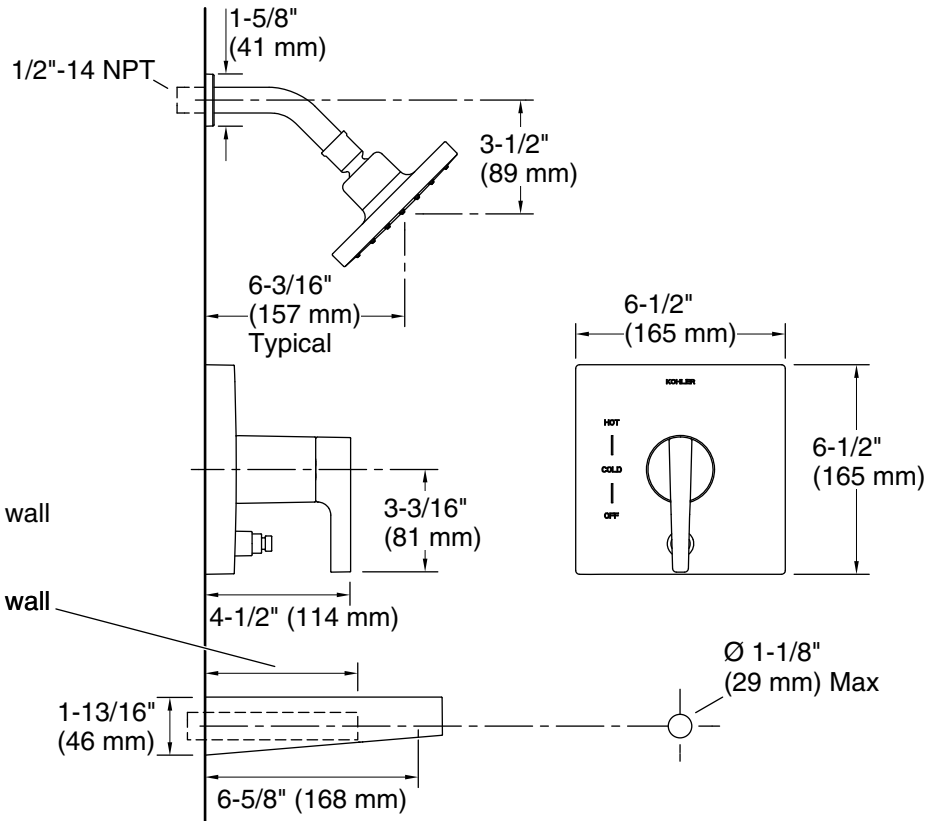
Color	Code	Description
	CP	Polished Chrome
	BN	Vibrant® Brushed Nickel
	BL	Matte Black
	2MB	Vibrant® Brushed Moderne Brass

Slip-fit Spout:

Extend 5/8" OD Tube
 5-9/16" (141 mm) from finished wall

Threaded Spout:

Extend 5/8" OD Tube
 5-9/16" (141 mm) from finished wall



Technical Information

All product dimensions are nominal.

Spout:

- Spout reach: 6-5/8" (168 mm)
- Handshower rated max flow: 1.75 gal/min (6.6 l/min)
- Shower/Rainhead rated max flow: 1.75 gal/min (6.6 l/min)

Notes

- For use with automatic compensating valves rated at 1.6 gal/min (6.1 l/min) or less.
- Install this product according to the installation instructions.
- Install straight pipe or tube drop of 7" (178 mm) to 18" (457 mm) with single elbow between the valve and the wall-mount spout.