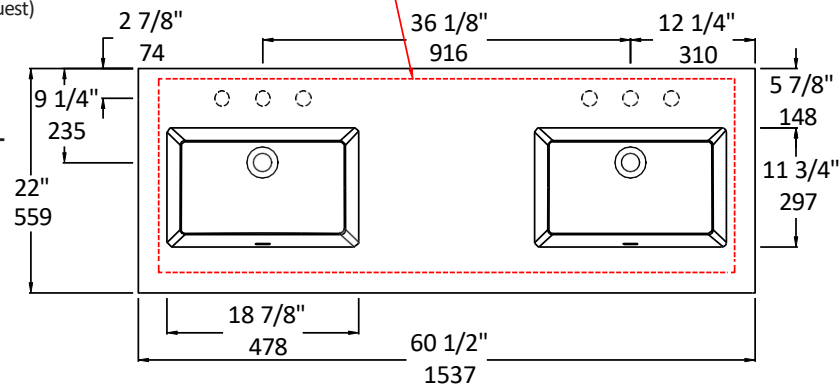


Specifications:

Installation:	vanity-top
Exterior Dimensions:	60 1/2" w x 22" d x 6 3/8" h
Material:	Solid surface
Weight:	80 lbs
Overflow:	Yes
Finishes:	M - Matte white G - Gloss white
Faucet Holes:	00 - no hole 01 - one centered hole 02 - two hole - center and right, 4" spread 03 - three hole, 8" spread
Faucet Hole Size:	Ø 1 3/8"
Drain Hole Size:	Ø 1 3/4"
Cutout Size:	56 1/2" x 19" (template available upon request)



CUT OUT
starts 1" from the back
56 1/2" x 19"
1435 x 483



Features:

- Stain, scratch, chemical, impact resistant
- Optional backsplash available

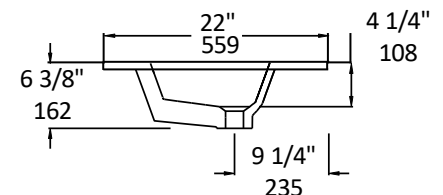
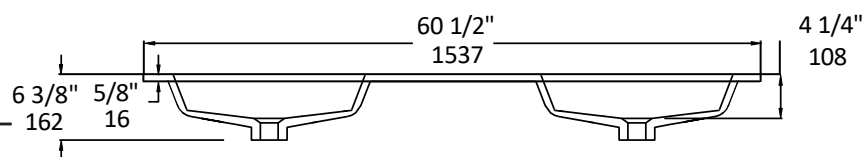
Codes + Standards:

- Meets and exceeds applicable national codes and standards

ADA compliant when installed to specific requirements of this regulation

Recommended Items:

- BKS - 6" Backsplash G - gloss, M - matte
- Furniture for K60 22" deep sinktop
 - KBT-ADA-60 - Wall-mount vanity with 4 doors & center cubbies
 - KBT-ADA-60B - Wall-mount vanity with 4 doors & side cubbies
 - KUB-W-60 - Floor-standing or wall mounted vanity with drawers
- Drain with overflow
 - 7100-17
 - 7100-160F
 - 7100-130F



Care + Maintenance:

- To prevent damage to the solid surface material, hot objects and open flame should not be placed in direct contact with the surface

to find out more about proper care and maintenance