

### Specifications:

<b>Installation:</b>	vanity-top
<b>Exterior Dimensions:</b>	60 1/2" w x 22" d x 6 1/4" h
<b>Material:</b>	Solid surface
<b>Weight:</b>	80 lbs
<b>Overflow:</b>	Yes
<b>Finishes:</b>	M - Matte white G - Gloss white
<b>Faucet Holes:</b>	00 - no hole 01 - one centered hole 02 - two hole - center and right, 4" spread 03 - three hole, 8" spread
<b>Faucet Hole Size:</b>	Ø 1 3/8"
<b>Drain Hole Size:</b>	Ø 1 3/4"
<b>Cutout size:</b>	20 1/2" x 19" (template available upon request)

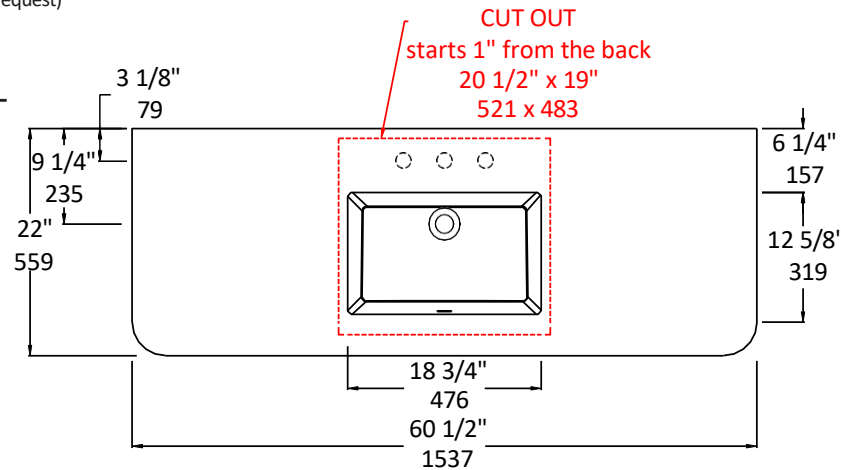
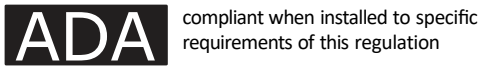


### Features:

- Stain, scratch, chemical, impact resistant
- Optional backsplash available

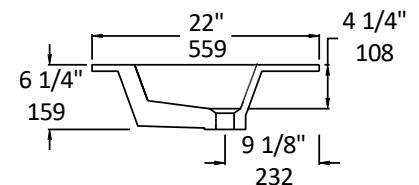
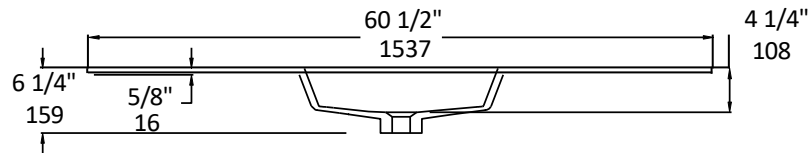
### Codes + Standards:

- Meets and exceeds applicable national codes and standards



### Recommended Items:

- BKS - 6" Backsplash G - gloss, M - matte
- Furniture for K60C-FLT 22" deep sinktop
  - FLT-W-60S - Floor-standing or wall mounted vanity with four drawers and optional legs
- Drain with overflow
  - 7100-17
  - 7100-16OF
  - 7100-13OF



### Care + Maintenance:

To prevent damage to the solid surface material, hot objects and open flame should not be placed in direct contact with the surface

[Click here](#) to find out more about proper care and maintenance