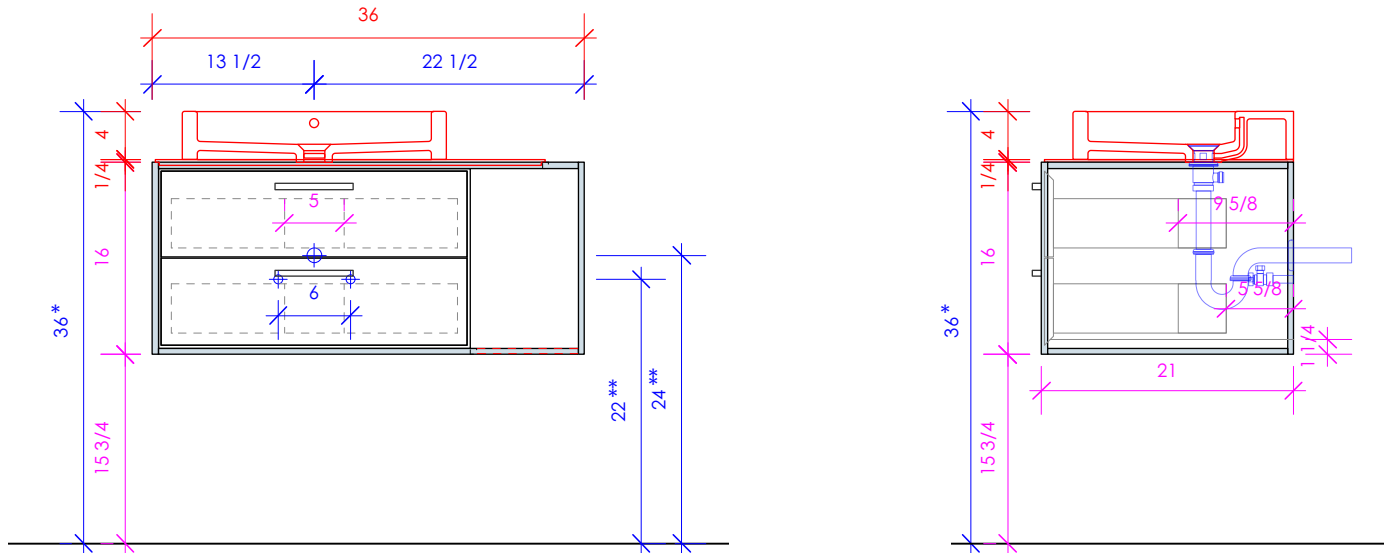


# LACAVA

## LINEA

LIN-VS-36L



\* Recommended installation height  
\*\* Recommended plumbing location

### FEATURES:

- WALL MOUNT VANITY
- TWO DRAWERS WITH SOFT-CLOSE GLIDES
- DRAWER BOXES STAINED TO REFLECT EXTERIOR FINISH
- MITERED DETAILING ON DRAWERS
- DECORATIVE HARDWARE **K450** INCLUDED BUT NOT INSTALLED - CAN BE INSTALLED UPON REQUEST
- USED WITH **LIN-VS-36LF** FRAME, **LIN-VS-36LT** COUNTERTOP AND **5030** SINK (SOLD SEPARATELY)
- MOUNTING: FULL WOOD BACKING (SEE FURNITURE MANUAL)
- PROUDLY HANDMADE IN THE USA
- MANUFACTURED WITH LOW VOC FINISHES AND WOOD FROM RENEWABLE FORESTS

### FINISHES:

#### WOOD:

##### STANDARD:

01 - WHITE MAPLE  
02 - NATURAL CHERRY  
07 - NATURAL WALNUT  
24 - CLASSIC WALNUT  
20 - ASH GRAY  
06 - WENGE

##### PREMIUM:

47 - SMOKY WALNUT  
31 - WHITE OAK  
41 - NATURAL OAK  
48 - COFFEE OAK  
43 - GRIGIO OAK  
49 - BLACK OAK

08 - MATTE WHITE  
16 - MATTE BLACK  
35 - MATTE ARDESIA  
54 - MATTE TAUPE  
42 - MATTE OLIVE GREEN  
39 - MATTE SAGE  
28 - MATTE AZURE  
29 - MATTE CLOUD

##### LUXURY:

50 - HORIZON BLUE  
52 - SILVER OAK  
37 - WEATHERED OAK  
27 - RUSTIC OAK  
85 - GLOSS WHITE  
86 - GLOSS BLACK

46 - DRIFTWOOD  
\*NEWTERRA ONLY\*

#### METALS: **LIN-VS-36LF**

##### METAL: **FRAME**

21 - BRUSHED STAINLESS STEEL  
10 - POLISHED STAINLESS STEEL  
44 - MATTE BLACK  
MW - MATTE WHITE  
BPW - BRASS POWDER COAT  
SA - SIENNA

#### COUNTERTOP: **LIN-VS-36LT**

##### STONE:

WH - BIANCO  
LN - LINAC  
AN - ATENA  
GU - GOLD UMBER  
GR - GRIGIO  
NM - MARQUINA

##### QUARTZ:

PR - PURO  
AH - ASH  
CT - CRETA  
VN - VENA  
DN - DUNE  
NR - NERO

##### SOLID SURFACE:

M - MATTE WHITE  
G - GLOSS WHITE  
R - MARMO  
V - LAVA  
D - OBSIDIAN  
C - CREMA

##### CONCRETE:

SND - SAND  
SLT - SLATE  
SUN - SUN  
CLY - CLAY  
LIL - LILAC  
MOS - MOSS  
AQA - AQUA  
BRK - BRICK  
MAH - MATCHA  
GAL - GALAXY  
TER - TERRACOTTA  
CHL - CHARCOAL  
FOR - FOREST  
BST - BASALTO

3/4" THICKNESS

3/4" THICKNESS

1/2" THICKNESS

LACAVA reserves the right to revise any dimension or information on this sheet without notice. Dimensions are nominal and may vary within an industry accepted tolerance of 1/4". Cabinets with 'vanity top' sinks are made to the matching sink and dimensions may vary. LACAVA is not responsible for any cutouts, countertops, or furniture made without the actual product or template. Differences in color, grain, appearance, and texture are inherent in all natural woodwork and should be expected. Variances in these qualities are not deemed manufacturing defects and will not be accepted as valid reasons for return or exchanges. Plumbing specifications are only a guideline and may need alteration based on application.

6630 WEST WRIGHTWOOD  
CHICAGO, IL 60707

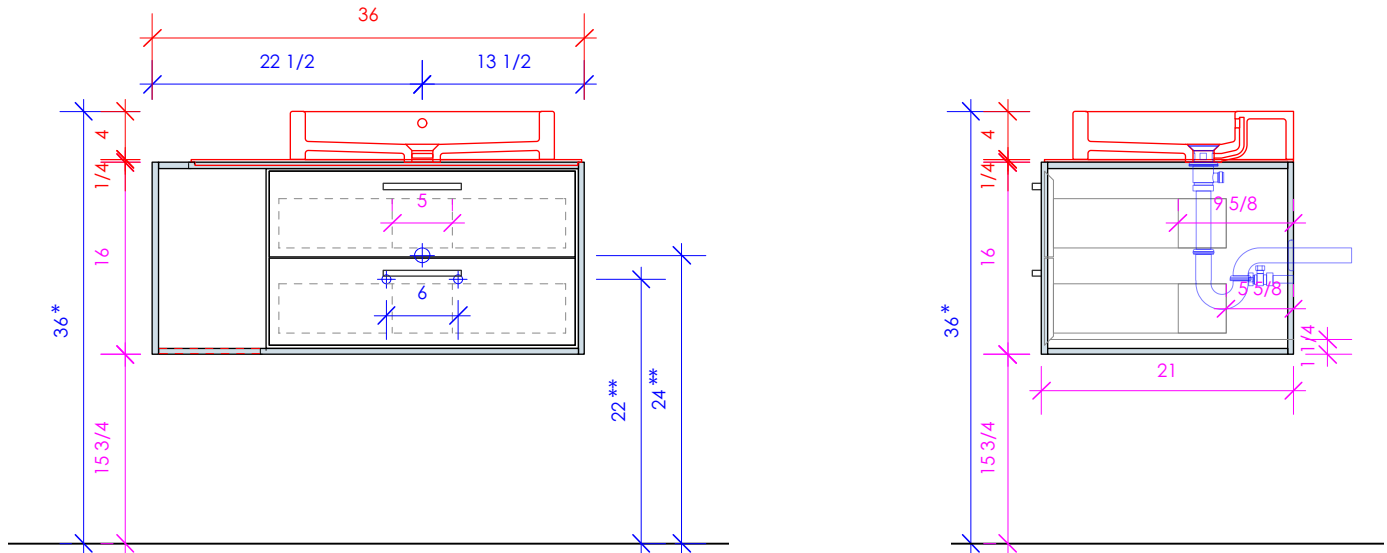
PH: 773-637-9600  
FAX: 773-637-9601

LACAVA.COM  
INFO@LACAVA.COM

# LACAVA

## LINEA

LIN-VS-36R



\* Recommended installation height  
\*\* Recommended plumbing location

### FEATURES:

- WALL MOUNT VANITY
- TWO DRAWERS WITH SOFT-CLOSE GLIDES
- DRAWER BOXES STAINED TO REFLECT EXTERIOR FINISH
- MITERED DETAILING ON DRAWERS
- DECORATIVE HARDWARE **K450** INCLUDED BUT NOT INSTALLED - CAN BE INSTALLED UPON REQUEST
- USED WITH **LIN-VS-36RF** FRAME, **LIN-VS-36RT** COUNTERTOP AND **5030** SINK (SOLD SEPARATELY)
- MOUNTING: FULL WOOD BACKING (SEE FURNITURE MANUAL)
- PROUDLY HANDMADE IN THE USA
- MANUFACTURED WITH LOW VOC FINISHES AND WOOD FROM RENEWABLE FORESTS

### FINISHES:

#### WOOD:

##### STANDARD:

01 - WHITE MAPLE  
02 - NATURAL CHERRY  
07 - NATURAL WALNUT  
24 - CLASSIC WALNUT  
20 - ASH GRAY  
06 - WENGE

##### PREMIUM:

47 - SMOKY WALNUT  
31 - WHITE OAK  
41 - NATURAL OAK  
48 - COFFEE OAK  
43 - GRIGIO OAK  
49 - BLACK OAK

08 - MATTE WHITE  
16 - MATTE BLACK  
35 - MATTE ARDESIA  
54 - MATTE TAUPE  
42 - MATTE OLIVE GREEN  
39 - MATTE SAGE  
28 - MATTE AZURE  
29 - MATTE CLOUD

##### LUXURY:

50 - HORIZON BLUE  
52 - SILVER OAK  
37 - WEATHERED OAK  
27 - RUSTIC OAK  
85 - GLOSS WHITE  
86 - GLOSS BLACK

46 - DRIFTWOOD  
\*NEWTERRA ONLY\*

#### METALS: **LIN-VS-36RF**

##### METAL: **FRAME**

21 - BRUSHED STAINLESS STEEL  
10 - POLISHED STAINLESS STEEL  
44 - MATTE BLACK  
MW - MATTE WHITE  
BPW - BRASS POWDER COAT  
SA - SIENNA

#### COUNTERTOP: **LIN-VS-36RT**

##### STONE:

WH - BIANCO  
LN - LINAC  
AN - ATENA  
GU - GOLD UMBER  
GR - GRIGIO  
NM - MARQUINA

##### QUARTZ:

PR - PURO  
AH - ASH  
CT - CRETA  
VN - VENA  
DN - DUNE  
NR - NERO

##### SOLID SURFACE:

M - MATTE WHITE  
G - GLOSS WHITE  
R - MARMO  
V - LAVA  
D - OBSIDIAN  
C - CREMA

##### CONCRETE:

SND - SAND  
SLT - SLATE  
SUN - SUN  
CLY - CLAY  
LIL - LILAC  
MOS - MOSS  
AQA - AQUA  
BRK - BRICK  
MAH - MATCHA  
GAL - GALAXY  
TER - TERRACOTTA  
CHL - CHARCOAL  
FOR - FOREST  
BST - BASALTO

3/4" THICKNESS

3/4" THICKNESS

1/2" THICKNESS

LACAVA reserves the right to revise any dimension or information on this sheet without notice. Dimensions are nominal and may vary within an industry accepted tolerance of 1/4". Cabinets with 'vanity top' sinks are made to the matching sink and dimensions may vary. LACAVA is not responsible for any cutouts, countertops, or furniture made without the actual product or template. Differences in color, grain, appearance, and texture are inherent in all natural woodwork and should be expected. Variances in these qualities are not deemed manufacturing defects and will not be accepted as valid reasons for return or exchanges. Plumbing specifications are only a guideline and may need alteration based on application.

6630 WEST WRIGHTWOOD  
CHICAGO, IL 60707

PH: 773-637-9600  
FAX: 773-637-9601

LACAVA.COM  
INFO@LACAVA.COM