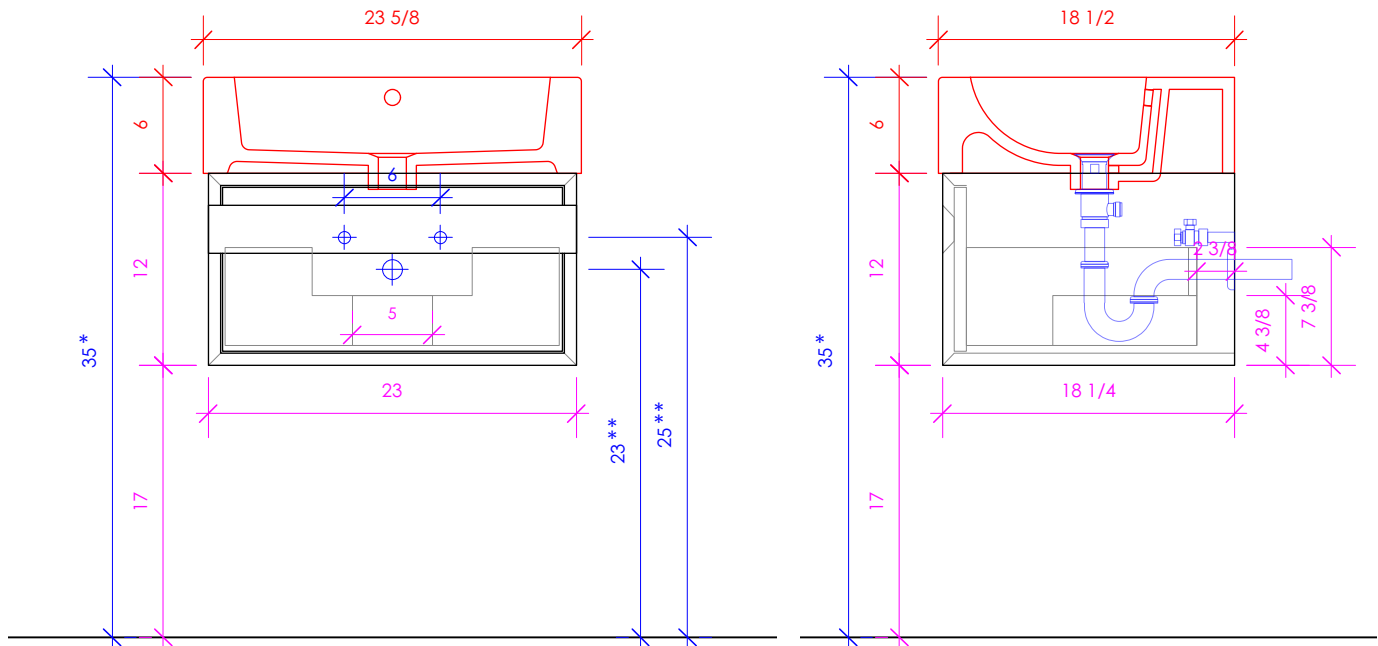


# LACAVA

## LUCE

LUC-W-24



\* Recommended installation height  
 \*\* Recommended plumbing location

### FEATURES:

- WALL MOUNT VANITY
- ONE DRAWER WITH SOFT-CLOSE GLIDES
- DRAWER BOX STAINED TO REFLECT EXTERIOR FINISH
- MITER DETAILING ON EDGES AND DRAWER PULL
- USED WITH 5464 SINK (SOLD SEPARATELY)
- MOUNTING: FULL WOOD BACKING  
(SEE FURNITURE MANUAL)
- PROUDLY HANDMADE IN THE USA
- MANUFACTURED WITH LOW VOC FINISHES AND WOOD FROM RENEWABLE FORESTS

### FINISHES:

#### WOOD:

##### STANDARD:

- 01 - WHITE MAPLE
- 02 - NATURAL CHERRY
- 07 - NATURAL WALNUT
- 24 - CLASSIC WALNUT
- 20 - ASH GRAY
- 06 - WENGE

##### PREMIUM:

- 47 - SMOKY WALNUT
- 31 - WHITE OAK
- 41 - NATURAL OAK
- 48 - COFFEE OAK
- 43 - GRIGIO OAK
- 49 - BLACK OAK

- 08 - MATTE WHITE
- 16 - MATTE BLACK
- 35 - MATTE ARDESIA
- 54 - MATTE TAUPE
- 42 - MATTE OLIVE GREEN
- 39 - MATTE SAGE
- 28 - MATTE AZURE
- 29 - MATTE CLOUD

##### LUXURY:

- 50 - HORIZON BLUE
- 52 - SILVER OAK
- 37 - WEATHERED OAK
- 27 - RUSTIC OAK
- 85 - GLOSS WHITE
- 86 - GLOSS BLACK

46 - DRIFTWOOD  
 \*NEWTERRA ONLY\*

#### METALS:

##### METAL:

- 21 - BRUSHED STAINLESS STEEL
- 10 - POLISHED STAINLESS STEEL
- 44 - MATTE BLACK
- MW - MATTE WHITE
- BPW - BRASS POWDER COAT
- SA - SIENNA

#### COUNTERTOP:

##### STONE:

- WH - BIANCO
- LN - LINAC
- AN - ATENA
- GU - GOLD UMBER
- GR - GRIGIO
- NM - MARQUINA

3/4" THICKNESS

##### QUARTZ:

- PR - PURO
- AH - ASH
- CT - CRETA
- VN - VENA
- DN - DUNE
- NR - NERO

3/4" THICKNESS

##### SOLID SURFACE:

- M - MATTE WHITE
- G - GLOSS WHITE
- R - MARMO
- V - LAVA
- D - OBSIDIAN
- C - CREMA

1/2" THICKNESS

##### CONCRETE:

- SND - SAND
- SLT - SLATE
- SUN - SUN
- CLY - CLAY
- LIL - LILAC
- MOS - MOSS
- AQA - AQUA
- BRK - BRICK
- MAH - MATCHA
- GAL - GALAXY
- TER - TERRACOTTA
- CHL - CHARCOAL
- FOR - FOREST
- BST - BASALTO

LACAVA reserves the right to revise any dimension or information on this sheet without notice. Dimensions are nominal and may vary within an industry accepted tolerance of 1/4". Cabinets with 'vanity top' sinks are made to the matching sink and dimensions may vary. LACAVA is not responsible for any cutouts, countertops, or furniture made without the actual product or template. Differences in color, grain, appearance, and texture are inherent in all natural woodwork and should be expected. Variances in these qualities are not deemed manufacturing defects and will not be accepted as valid reasons for return or exchanges. Plumbing specifications are only a guideline and may need alteration based on application.

6630 WEST WRIGHTWOOD  
 CHICAGO, IL 60707

PH: 773-637-9600  
 FAX: 773-637-9601

LACAVA.COM  
 INFO@LACAVA.COM