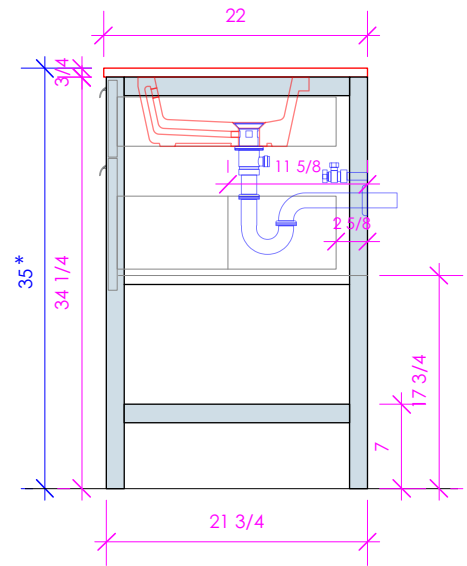
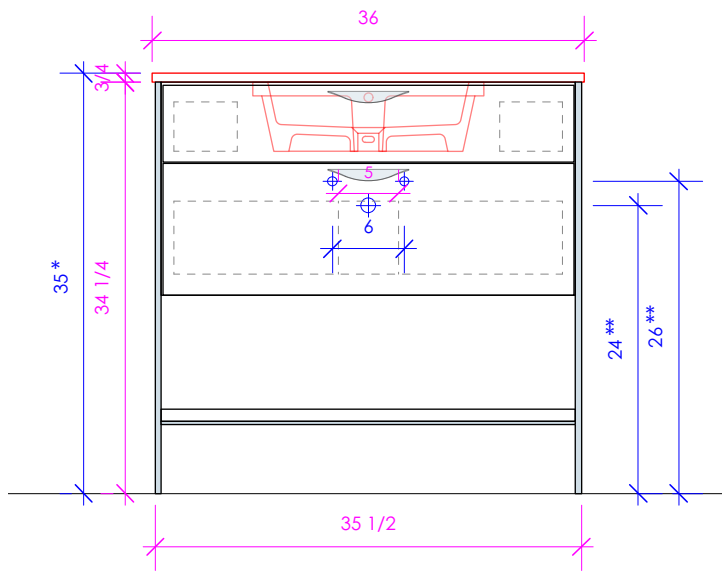


LACAVA

NAVI

NAV-UN-36



* Recommended installation height
** Recommended plumbing location

FEATURES:

- FLOOR STANDING VANITY
- TWO DRAWERS WITH SOFT-CLOSE GLIDES
- DRAWER BOXES STAINED TO REFLECT EXTERIOR FINISH
- DECORATIVE HARDWARE **K550** INCLUDED BUT NOT INSTALLED - CAN BE INSTALLED UPON REQUEST
- USED WITH **NAV-UN-36F** FRAME, **NAV-UN-36T** COUNTERTOP AND **5452UN** SINK (SOLD SEPARATELY)
- MOUNTING: FULL WOOD BACKING (SEE FURNITURE MANUAL)
- PROUDLY HANDMADE IN THE USA
- MANUFACTURED WITH LOW VOC FINISHES AND WOOD FROM RENEWABLE FORESTS

FINISHES:

WOOD:

STANDARD:

01 - WHITE MAPLE
02 - NATURAL CHERRY
07 - NATURAL WALNUT
24 - CLASSIC WALNUT
20 - ASH GRAY
06 - WENGE

PREMIUM:

47 - SMOKY WALNUT
31 - WHITE OAK
41 - NATURAL OAK
48 - COFFEE OAK
43 - GRIGIO OAK
49 - BLACK OAK

08 - MATTE WHITE
16 - MATTE BLACK
35 - MATTE ARDESIA
54 - MATTE TAUPE
42 - MATTE OLIVE GREEN
39 - MATTE SAGE
28 - MATTE AZURE
29 - MATTE CLOUD

LUXURY:

50 - HORIZON BLUE
52 - SILVER OAK
37 - WEATHERED OAK

27 - RUSTIC OAK
85 - GLOSS WHITE
86 - GLOSS BLACK

46 - DRIFTWOOD
NEWTERRA ONLY

METALS: NAV-UN-36F

METAL: FRAME

21 - BRUSHED STAINLESS STEEL
10 - POLISHED STAINLESS STEEL
44 - MATTE BLACK
MW - MATTE WHITE
BPW - BRASS POWDER COAT
SA - SIENNA

COUNTERTOP: NAV-UN-36T

STONE:

WH - BIANCO
LN - LINAC
AN - ATENA
GU - GOLD UMBER
GR - GRIGIO
NM - MARQUINA

QUARTZ:

PR - PURO
AH - ASH
CT - CRETA
VN - VENA
DN - DUNE
NR - NERO

SOLID SURFACE:

M - MATTE WHITE
G - GLOSS WHITE
R - MARMO
V - LAVA
D - OBSIDIAN
C - CREMA

CONCRETE:

SND - SAND
SLT - SLATE
SUN - SUN
CLY - CLAY
LIL - LILAC
MOS - MOSS
AQA - AQUA
BRK - BRICK
MAH - MATCHA
GAL - GALAXY
TER - TERRACOTTA
CHL - CHARCOAL
FOR - FOREST
BST - BASALTO

3/4" THICKNESS

3/4" THICKNESS

1/2" THICKNESS

LACAVA reserves the right to revise any dimension or information on this sheet without notice. Dimensions are nominal and may vary within an industry accepted tolerance of 1/4". Cabinets with 'vanity top' sinks are made to the matching sink and dimensions may vary. LACAVA is not responsible for any cutouts, countertops, or furniture made without the actual product or template. Differences in color, grain, appearance, and texture are inherent in all natural woodwork and should be expected. Variances in these qualities are not deemed manufacturing defects and will not be accepted as valid reasons for return or exchanges. Plumbing specifications are only a guideline and may need alteration based on application.

6630 WEST WRIGHTWOOD
CHICAGO, IL 60707

PH: 773-637-9600
FAX: 773-637-9601

LACAVA.COM
INFO@LACAVA.COM