



RF463707

RA450022:
Water filter Vario 400

RA422611:
Stainless steel door, handle, RF463_US

RA423140:
Side trims, long

RA425110:
Vario SS handle 1131 mm

RA428811:
Stainless steel door w/o handle, RF463_US

RA460012:
Heating side kit 110V

RA460020:
Frontpanel connection long

RA464618:
Vent grille 61cm / 24", left, for RF463

Vario freezer 400 series
24", soft close flat hinge
RF463707

Stainless steel interior with solid anthracite aluminium elements

Warm white and glare-free LED light spots

Opening assist for door with two options:

1. Push-to-open function for integration into handleless furniture front
2. Pull-to-open function to facilitate opening the door using a handle

The drawers in the RC and RF models are positioned at the same height. With side-by-side installation, the glass shelves and door racks can be aligned on the same level

Flat stainless steel inner door, full-length

Integrated automatic ice maker with fixed water connection

Proximity sensor for ice and water dispenser

Illuminated dispenser for ice cubes, crushed ice and chilled water

TFT touch display

Net volume 11.2 cu.ft. (318 litres)

Energy Star certified

Operation

TFT touch display operation.

Clear text display in 44 languages.

Touch key operation for ice and water dispenser.

Technical Features

Dynamic cold air distribution with Multi-Flow Air System.

Automatic defrosting with defrost water evaporation.

Cushioned door closing system.

Sabbath mode certified by Star-K.

When rest mode is active, the appliance can only be opened using a handle.

Open-door and malfunction warning system.

Home network integration for digital services (Home Connect) wireless via WiFi.

The use of the Home Connect functionality depends on the Home Connect services, which are not available in every country. For further information please check: home-connect.com.

Freezer compartment

No-frost technology with fast freezing at -22 °F.

Temperature adjustable from 3 °F to -11 °F.

4-star freezer compartment.

Freezing capacity 8.7 kg/24 h.

4 safety glass shelves, white glass, 2 of which are individually height adjustable.

2 fully extendable drawers with transparent front.

Ice and water dispenser

Warm white LED lighting.

Proximity sensor for automatic activation of light and touch keys for ice and water dispenser.

Integrated, with fixed inlet water connection.

Particle filter for water inlet, integrated in ventilation grille area.

Saturation indicator shown in TFT touch display.

Ice maker can be switched off independently.

Ice cube production approx. 2.9 lb (1.1 kg)/24 h.

Ice cubes and crushed ice.

Removable ice storage container with approx. 6.6 lbs. (3.2 kg) capacity.

Chilled water supply approx. 1.3 litres.

Consumption data

Energy consumption 453.98 kWh/year.

Noise level 42 dB (re 1 pW).

Planning notes

Flat hinge.

Door opening angle of 115°, fixable at 90°.

Max. door panel weight 147 lbs. (67kg).

Shut-off valve for water connection must be planned next to the appliance and always be accessible.

If the water pressure exceeds 116 psi, connect pressure relief valve between water tap and hose set.

Rating

Total rating 1.079 kWh/24 h.

Total Amps: 10 A.

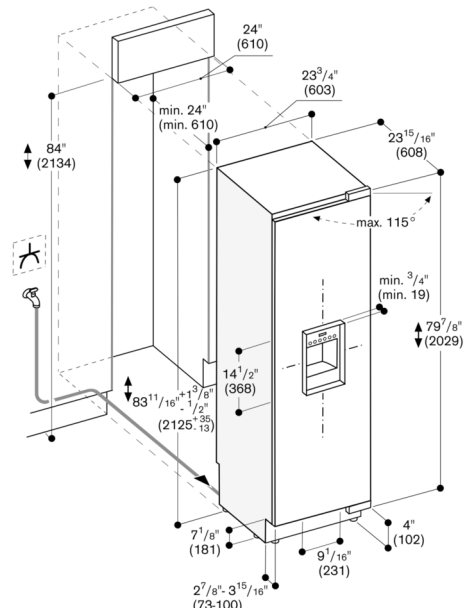
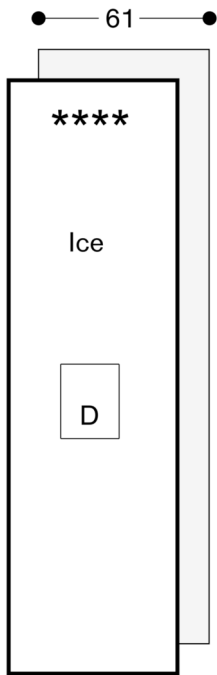
Connecting cable 118" (3.0 m), detachable.

Cold water connection required.

Electrical location 6" above ground in lower left corner of unit.

Supply hose 47,2 INCH (1.2 m) with 1/4" male compression fitting (standard icemaker connector).

Water pressure 29 to 116 psi.



The maximum door front dimensions are based on a clearance of 3mm.