

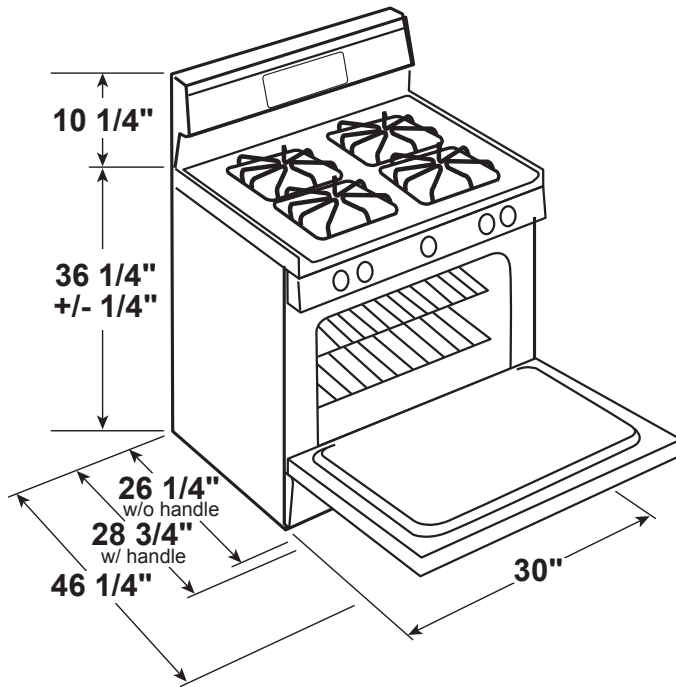
# RGBS330DR

## Hotpoint 30" Free-Standing Gas Range

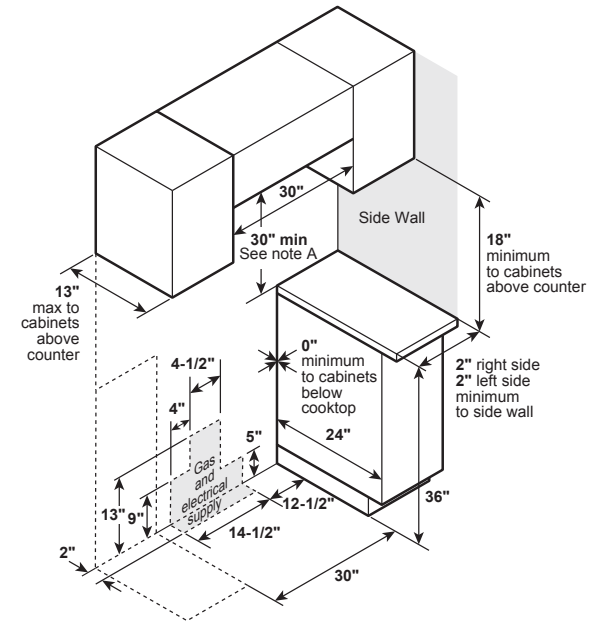
### DIMENSIONS AND INSTALLATION INFORMATION

**ELECTRICAL RATING:** 120V, 60Hz, 15A

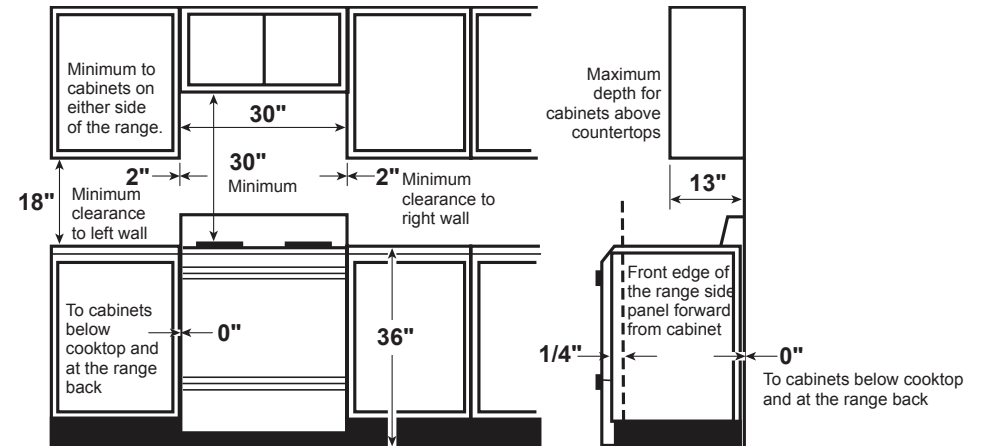
**INSTALLATION INFORMATION:** Before installing, consult installation instructions packed with product for current dimensional data.



### GAS PIPE AND ELECTRICAL OUTLET LOCATIONS



Note A: 30" Minimum to bare cabinet, see installation instructions heights less than 30"



**Hotpoint**

For answers to your Hotpoint product questions, visit our website at [hotpoint.com](http://hotpoint.com) or call 800.626.2000.



All GE Appliances ranges are equipped with an Anti-Tip device. The installation of this device is an important, required step in the installation of the range.

Specification Revised 10/22

# RGBS330DR

## Hotpoint 30" Free-Standing Gas Range

### FEATURES AND BENEFITS

Front controls - Minimize need to reach

4.8 cu. ft. oven capacity - Enough room to cook an entire meal at once

Sealed cooktop burners - Contains spills and make cleaning quick and easy

Heavy-duty grates - Durable grates are easy to clean and can hold a wide variety of cookware on the stove

Broil option - A versatile heating element allows for more cooking options in the oven

Standard clean oven - Smooth surface makes cleaning by hand easier

Sabbath Mode

Model RGBS330DRBB - Black

Model RGBS330DRWW - White

