



California Faucets®

SHV-R

Single Handle Lavatory Wall Faucet Rough In Valve Installation Instructions

CALIFORNIA FAUCETS RECOMMENDS THAT ALL PLUMBING PRODUCTS BE INSTALLED BY A LICENSED PROFESSIONAL

IMPORTANT: Read all instructions prior to installation and provide copy of instructions to consumer.

Operating Specifications:

Recommended Supply Pressure: 20 to 70 psi [1.4 to 1.8 bar] ††

Maximum Flow Rate: 5.0 gpm [18.9 L/min]

* Operating pressures between hot and cold supplies should vary no more than 30 psi [2.1 bar].

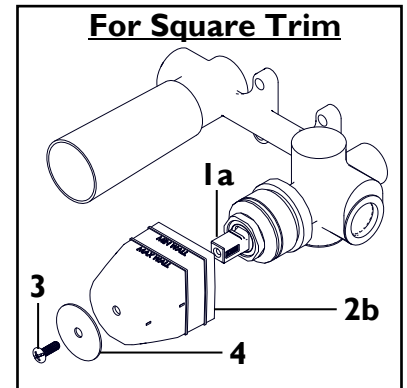
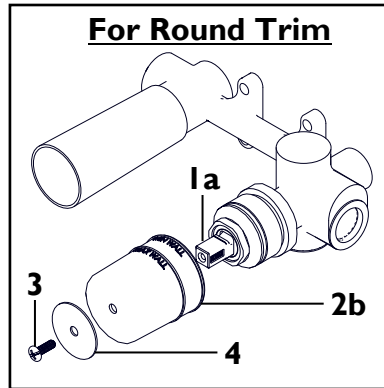
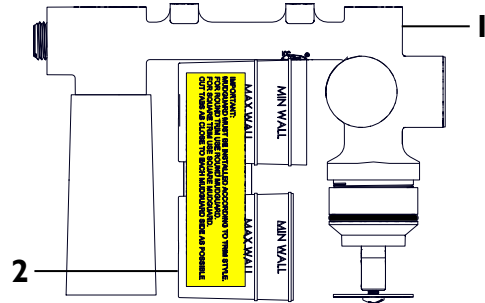
† If water pressure exceeds 70 psi [4.8 bar], install a Pressure-Reducing Valve (PRV).

I INSTALLING MUDGUARD

- Remove VALVE (1) and combined handle MUDGUARD (2) from packaging
- Separate combined handle MUDGUARD (2)

IMPORTANT: Installer **MUST** know the trim style (model no. - see table below) to install appropriate MUDGUARD (2).
 For round trim use ROUND HANDLE MUDGUARD (2a)
 For square trim use SQUARE HANDLE MUDGUARD (2b)
 Cut tabs as close to each handle MUDGUARD (2) side as possible

- Install proper MUDGUARD (2) on handle STEM(1a) using SCREW (3) and WASHER (4)



| Model No. (series) | Mudguard Style |
|---|----------------|
| TO-V3001-7/-9 TO-V3001F-7/-9 TO-V3001K-7/-9 | Round ○ |
| TO-V3701-7 TO-V3701T-7 | Round ○ |
| TO-V3801-7/-9 TO-V3801T-7/-9 | Round ○ |
| TO-V8001-7/-9 TO-V8001W-7/-9 | Round ○ |
| TO-V5201-7/-9 | Round ○ |
| TO-V6201-7/-9 | Round ○ |
| TO-V7701-9 | Square □ |
| TO-V7801-7/-9 | Square □ |
| TO-VE301-7 | Round ○ |
| TO-VE401-7 | Round ○ |
| TO-VE501-7 | Round ○ |
| TO-V3301-7/-9 | Round ○ |
| TO-V3501-7/-9 | Round ○ |
| TO-V6107-7/-9 | Round ○ |
| TO-V4801-7/-9 | Round ○ |
| TO-V6401-7/-9 | Round ○ |

2 INSTALLING VALVE

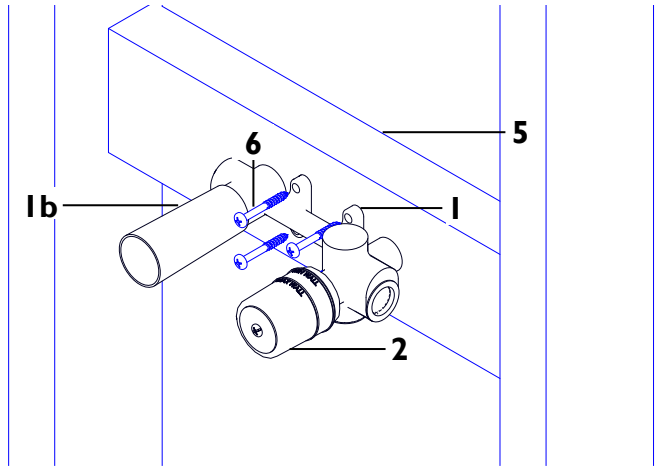
- Install BRACING (5) (2x4 stud recommended) at required height and depth

IMPORTANT: handle MUDGUARD (2) must project 1-3/16" min to 1-11/16" max from finished wall

- Place VALVE (1) onto BRACING (5) with SPOUT OUTLET (1b) on the left side

IMPORTANT: VALVE (1) is not reversible and must be installed as shown. Do not attempt to install with body upside down or with reversed hot/cold inlet connections.

- Secure VALVE (1) to BRACING (5) using SCREW (6) (not supplied)



3 SUPPLY CONNECTIONS

- Connect cold supply to COLD INLET (1c) and connect hot supply to HOT INLET (1d)

NOTE: Use thread sealant (not supplied) on all threaded connections

IMPORTANT: Flush supply lines prior to installation to prevent damage and malfunction of cartridge

WARNING: All soldering of fittings shall be performed a minimum of 4" away from VALVE(1)

- To check for leaks, install 1/2" NPT PLUG (7) (not supplied) into SPOUT OUTLET (1b)
- Turn on water supply valve
- To "open" valve lift STEM (1a)
- Check all connections for leaks
- Give these instructions to consumer for safe keeping

