

36-Inch Masterpiece® Freedom® Induction Cooktop, Stainless Steel Frame



Product Features

Innovation

56 inductor elements combined with pot detection automatically recognizes the size, shape and position of your cookware on the cooktop

Sapphire Glow® LED embedded surface lights along the sides of cooktop provide visual feedback when a pot is moved or whether a pot is heated or not

TeppanyakiPro® function divides a teppanyaki grill plate into one heated and one non-heated area

MyZone® feature allows you to change a preset power level simply by moving a pot or pan on the cooktop

Wi-Fi connectivity allows the cooktop and matching hood to communicate with one another to synchronize turning on task lighting and ventilation

Performance

PowerBoost® feature increases element power by up to 50%, saving time to heat up pots containing large quantities of water

PanBoost® function allows for faster 30 second pan heat-up time and is ideal for cooking with a frying pan

Cookware detection - the position, size and shape of the cookware used is automatically detected by the cooktop

Transfer function allows you to transfer all of the settings of one cooking position to another cooking position

Residual heat indicator for each side of the cooktop indicates any side that is still hot

Stopwatch Timer function displays the time that has elapsed since activation

Panel Lock allows you to lock the cooktop and prevent children from changing settings

Cooking Sensor ready - prevents overcooking of food by means of a sensor that accurately measures the temperature inside the pot (optional sensor sold separately)

Design

Extra large full color interactive touch screen display

Full stainless steel frame

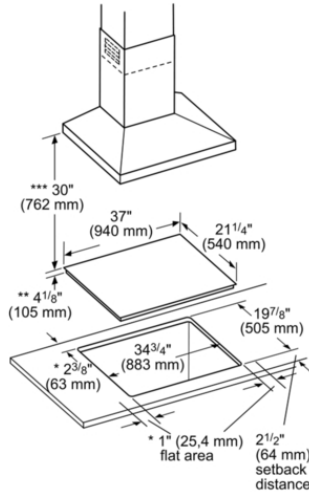
Dark gray glass color

BSH reserves the absolute and unrestricted right to change product materials and specifications, at any time, without notice. Consult the product's installation instructions for final dimensional data and other details. Applicable product warranty can be found in accompanying product literature (or you may contact your account manager for further details). Notes: All height, width and depth dimensions are shown in inches. *According to AHAM standards. **Please refer to installation instructions prior to making cutout.

1 800 735 4328 | WWW.THERMADOR.COM | 1901 Main Street, Suite 600 Irvine, CA 92614

©2022 BSH HOME APPLIANCES CORPORATION, ALL RIGHTS RESERVED LITHO DATE: 02/2022

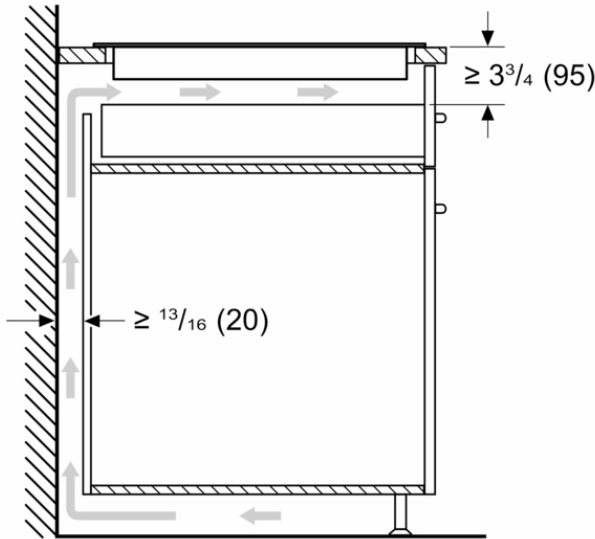
**36-Inch Masterpiece® Freedom® Induction Cooktop,
Stainless Steel Frame**



- * Minimum distance from cutout to the wall
- ** Installed depth includes 1" (26 mm) required air gap
- *** Minimum distance between the surface of the cooktop and the lower edge of the exhaust hood.

measurements in inches (mm)

Measurements in inches (mm)



Product Features

Sealed Burners	No
Burners with booster	All
Power of heating element (kW in boost)	[5.5]

Technical Specification

UPC code	825225961345
Variant color	anthracite
Energy source	Electric
Watts	6240
Fuse protection	30
Volts	208-240
Frequency	60
Approval certificates	Dekra Mark C+US, FCC
Power Cord Length	37"
Plug type	no plug
Required cutout size (HxWxD) (in)	4 1/8" x 34 3/4" x 19 7/8"
Minimum distance from counter front (in)	2 1/4"
Minimum distance from rear wall (in)	2"
Overall appliance dimensions (HxWxD) (in)	3/8"+4 1/8" x 37" x 21 1/4"
Product packaging dimensions (HxWxD)	6.77 x 26.77 x 42.36
Net weight	78.000
Gross weight	88.000
Total number of cooktop burners	6

BSH reserves the absolute and unrestricted right to change product materials and specifications, at any time, without notice. Consult the product's installation instructions for final dimensional data and other details. Applicable product warranty can be found in accompanying product literature (or you may contact your account manager for further details). Notes: All height, width and depth dimensions are shown in inches. *According to AHAM standards. **Please refer to installation instructions prior to making cutout.

1 800 735 4328 | WWW.THERMADOR.COM | 1901 Main Street, Suite 600 Irvine, CA 92614

©2022 BSH HOME APPLIANCES CORPORATION, ALL RIGHTS RESERVED LITHO DATE: 02/2022