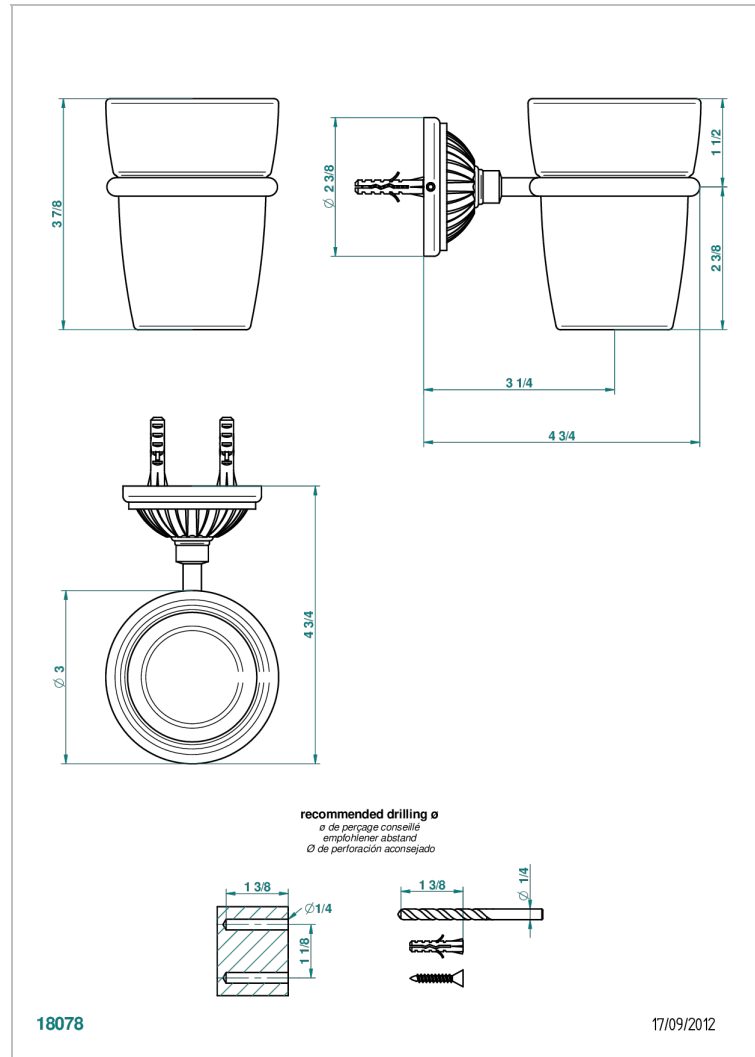


MANDARINE METAL

U1A-536

Tumbler holder, wall mounted



CHARACTERISTIC

- Mandarin metal
- Tumbler holder, wall mounted

AVAILABLE FINITIONS

Black nickel - D24
 Blush PVD - H62
 Brass color PVD - H49
 Brown bronze color PVD - F33
 Chrome polished - A02
 Chrome polished / gold polished - G02

Copper antique matt, coated - H07
 Gold color PVD - H52
 Gold mat - F07
 Gold polished - F01
 Gold satiney - F03
 Graphite PVD - H64

Light coated bronze - D01
 Matt Umber PVD - H67
 Matt blush PVD - H60
 Matt brass color PVD - H50
 Matt brown bronze color PVD - F34
 Matt chrome (American satin) - C02

Matt gold color PVD - H53
 Matt graphite PVD - H65
 Matt nickel (American satin) - C01
 Matt nickel color PVD - H56
 Nickel antique / Sovereign - H28
 Nickel color PVD - H55

Nickel polished - B01
 Rose Gold - F27
 Satin chrome - C03
 Silver polished, antique - H03
 Silver rhodium - F18
 Soft gold - F30