

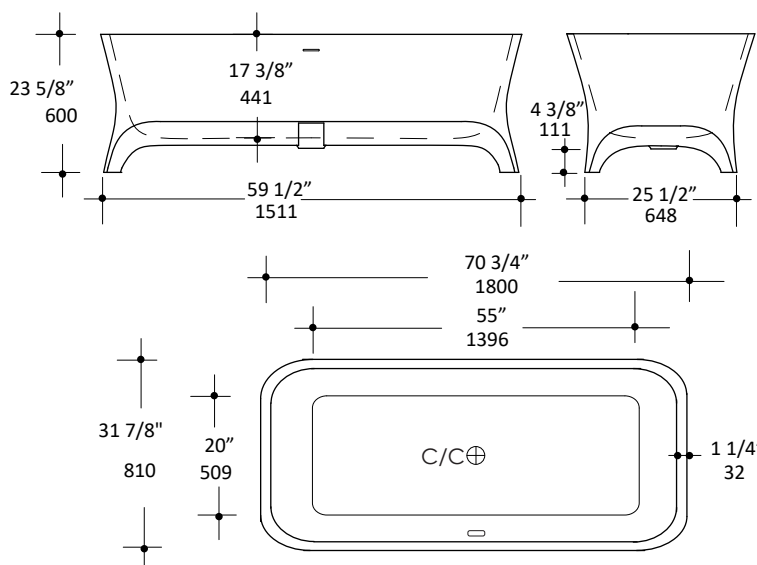
Specifications:

Installation:	Freestanding
Exterior Dimensions:	70 3/4" w x 31 7/8" d x 23 5/8" h
Material:	Solid surface
Water capacity:	91 gal.
Weight:	408 lbs.
Overflow:	Yes
Finishes:	M - Matte white G - Gloss white MB - Matte black TT - Two-tone
Freight:	Class 5



Features:

- Solid surface soaking bathtub with overflow
- Includes brass click-clack drain assembly with decorative solid surface dome Freestanding installation



Codes + Standards:

- Meets or exceeds applicable national codes and standards

Recommended Items:

- Furniture
 - TUB12- BR: Tub bridge in wood, 6" w, 32" d, 1 1/2" h
 - Available in: white (08), black (16), natural walnut (07)
- Trap connections
 - TBSH90 - L-shaped 90 degree brass tub shoe
 - TBSH180 - Straight down 180 degree brass tub shoe

Care + Maintenance:

- To prevent damage to the solid surface material, hot objects and open flame should not be placed in direct contact with the surface

[Click Here](#) to find out more about proper care and maintenance

