



VG295250CA
200 series gas cooktop
Width 36" (90 cm)
Natural gas.
Up to 59,700 BTU (17.5 kW) on 5 burners

Control panel for comfortable and secure operation
Mechanical power level regulation for 9 power levels, with exact setting and reproduction of flame size
Multi-ring burner of solid, heat-resistant brass as used in professional kitchen
Solid smooth-surface cast-iron pan support
Up to 59700 BTU (17.5 kW) on 5 burners

Cooking zones

1 multi-ring wok burner 1,000 - 18,800 BTU (300 W – 5500 W), suitable for pots up to max. \varnothing 12 5/8".
2 two-ring high output burners 600 - 13,600 BTU (170 W – 4000 W), suitable for pots up to max. \varnothing 11".
2 two-ring standard burners 600 - 6,800 BTU (170 W – 2000 W), suitable for pots up to max. \varnothing 9 1/2".

Operation

Control knobs with illuminated ring.
Integrated control panel.
One-handed operation.
Electric ignition.

Features

Three-part cast iron pan support with flat, continuous pot surface.
Brass burner rings.

Safety

Thermoelectric safety pilot.
Residual heat indicator.
Operation indicator.

Planning notes

No intermediate shelf required.
Appliance can be snapped into the countertop from above.
The rear panel must consist of a non-flammable material. Wall trims must be resistant to heat.
Installation in a 36" (90 cm) wide base cabinet is required.
Above countertop minimum clearance of at least 11 13/16" from adjacent heat-sensitive furniture or contact surfaces must be observed or thermal insulation must be installed.
Minimum distance between gas cooktop(s) with more than 37,533 BTU (11kW) and ventilation hood must be 30" (76cm).
Appliance weight: approx. 29 kg.

Rating

Total rating: 59700 BTU (17.5 KW).
Total Amps: 1 A. 120 V / 60 Hz
Connecting cable 59 1/16" (1.5 m) with plug.

Product Features

Product name / series name
gas hob w integrated controls
Construction type
Built-in
Energy source
Gas
Total number of cooktop burners
5
Min. required niche size for installation (HxWxD)
106 x 885 x 492
Width of the appliance
914
Dimensions
132 x 914 x 510
Product packaging dimensions (HxWxD)
290 x 700 x 1010
Net weight
28.9
Gross weight
31.2
Residual heat indicator
Separate
Location of control panel
Cooktop front
Basic surface material
brushed stainless steel
Color of surface
Stainless steel
Color of frame
Stainless steel
Power cord length
150.0
Watts
10
Total connected gas load
17500
Fuse protection
15
Volts
110-120
Frequency
60
Included accessories
1 x WOK attachment ring

Consumption and connection features

2023-05-04
Page 1

Color Variants

VG295250CA
Width 36" (90 cm)
Natural gas.

Included accessories

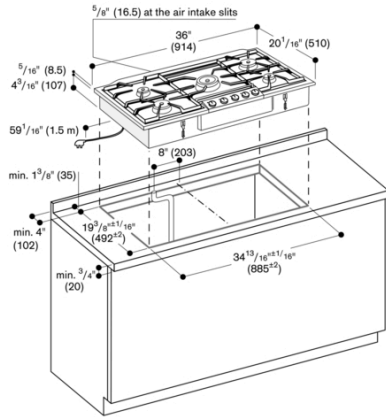
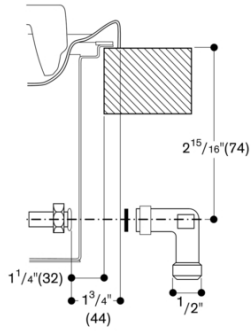
1 x WOK attachment ring.

Optional accessories

WP400001
Wok pan made of multiple-layer material

VG295250CA
200 series gas cooktop
Width 36" (90 cm)
Natural gas.
Up to 59,700 BTU (17.5 kW) on 5
burners
2023-05-04
Page 2

Gas connection



Minimum distance from the appliance cut-out to the side wall 11 3/8 (290 mm).