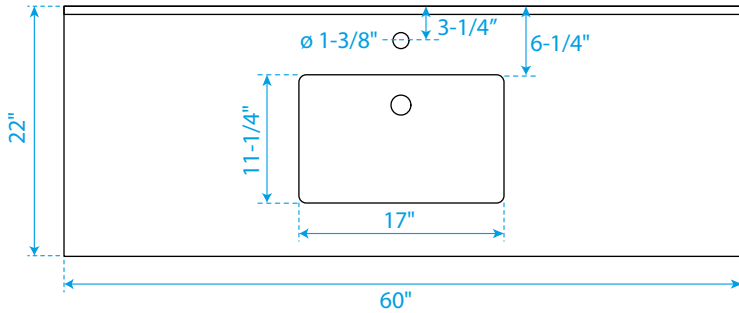
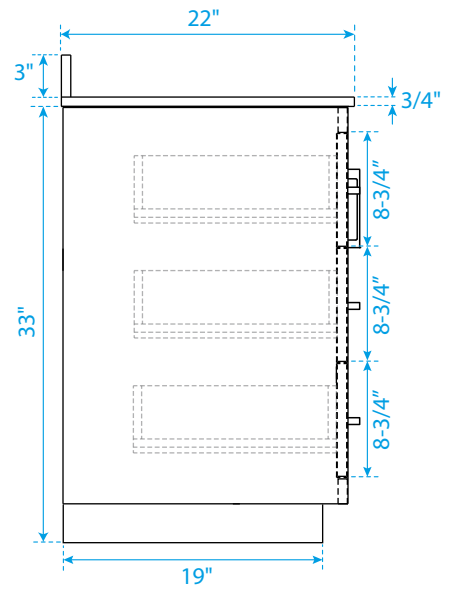
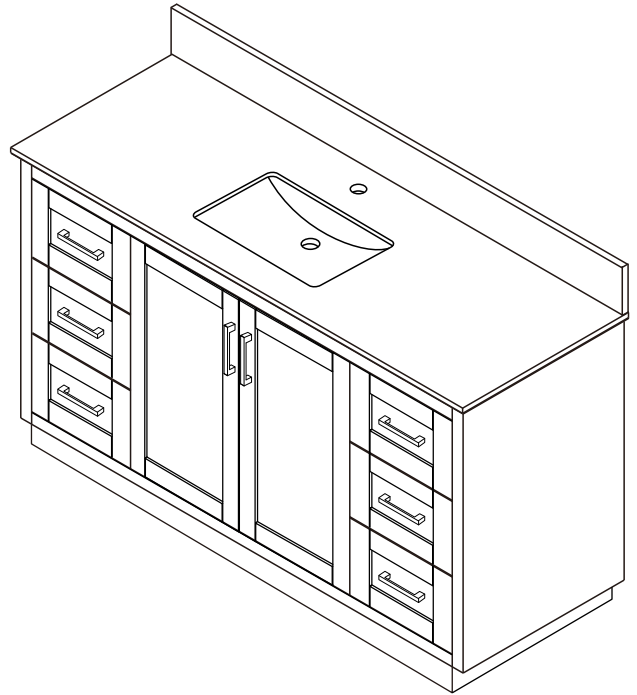
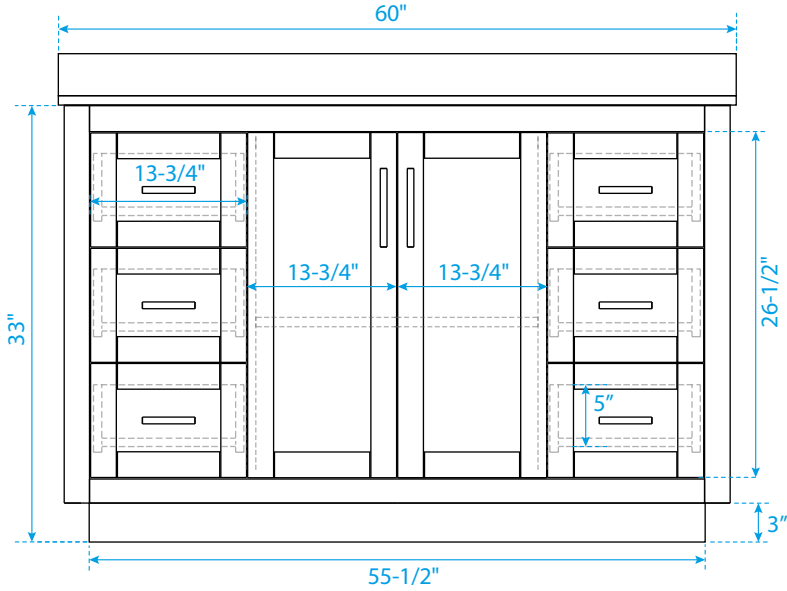
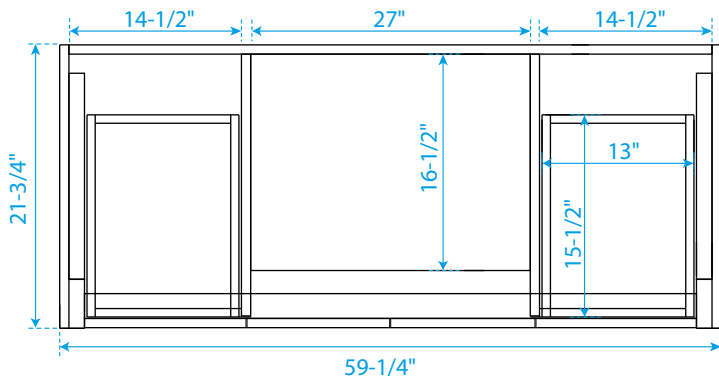


# WYNDHAM COLLECTION



TOP VIEW OF VANITY CABINET



\*Note: Due to high probability of breakage, the backsplash comes in two pieces, cut from the same piece. All measurements are  $\pm 1/4\text{'}$ .

WC-2929-60-SGL