

Shower Seat

GENERAL SPECIFICATIONS

Material - SculptureStone®



Part Description	Finish	Size	Part #	Price
Shower Seat	Matte	30" x 16" x 2.5"	SSEAT3016MT	<b>\$1,590</b>
Shower Seat	Gloss	30" x 16" x 2.5"	SSEAT3016GL	<b>\$2,850</b>

Color Options: White (CWH) or Biscuit (CBIN)

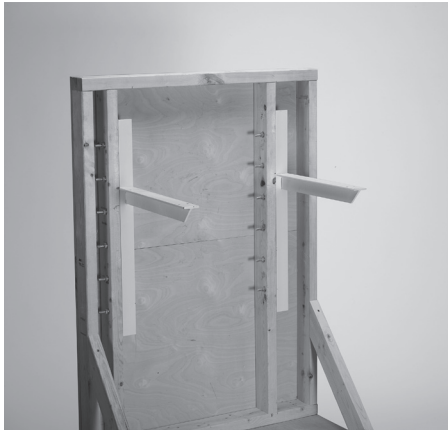
For best color match, order with MTI Collection Tub or Shower Base

**Packaging / Handling  
Fee Applies**

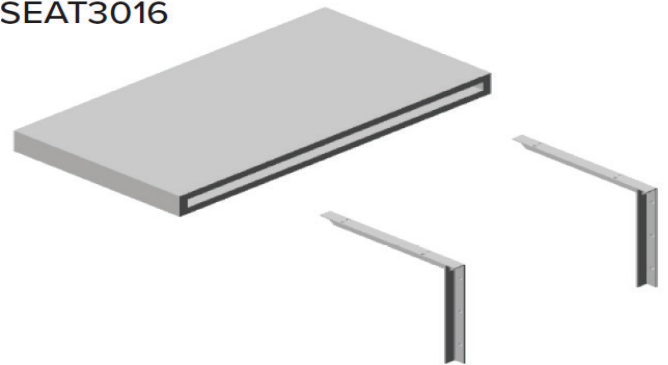
**CONSTRUCTION AND FEATURES**

- Constructed of MTI's SculptureStone® material.
- Smooth, durable surface combines beauty with practicality.
- Available in white or biscuit. Specify color when ordering.
- Includes wall mounted arms. See Installation Instructions for more details.
- Unsurpassed quality and workmanship.
- Handcrafted in the USA.

Wall-Mount Shower Seat  
Installation Instructions



SEAT3016



Pair of 1" carrier arms are included with wall mounted shower seat.  
Check carton thoroughly before disposing of packaging.

1. The wall needs to be opened to properly install carrier arms.
2. Attach carrier arms to wall studs at desired height. Top fo carrier arms will sit 3/4" below the top surface of the shower seat due to material thickness of the seat.
3. Shower seat is designed to be installed in front of the finished wall, anchored by exposed horizontal carrier arms.
4. The shower seat unit may be secured to the carrier arms with liquid adhesive, such as Liquid Nails. Be sure to clean the surface of both carrier arms and underside of seat where arms will make contact before applying adhesive.
5. Align seat in the desired position and slide the unit onto the arms.
6. Seal seams with clear or color matched silicone caulk.

