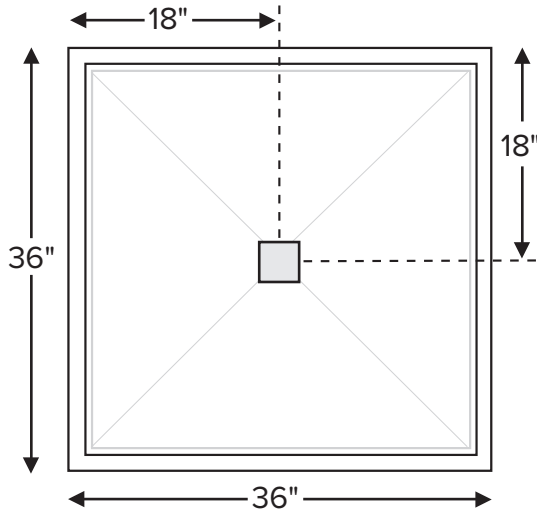
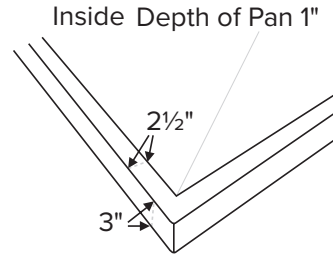


3636MT



36" x 36" x 3" (exterior bottom of base)	
MULTIPLE, LOW-PROFILE THRESHOLD smooth floor	
Center Drain	
Acrylic CXL®	DoloMatte®
65 lbs / 29 kg	73 lbs / 33 kg



When ordering, please specify tile flange locations.

Model #	Material	Color / Finish	MSRP
SB3636MT	Acrylic CXL®	White (CWH) or Biscuit (CBS) / Gloss	\$1,735
SBDM3636MT	DoloMatte®	White (CWH) / Matte	\$2,120

Must specify color code on order. DoloMatte available in white only. Not for use in steam shower applications.

Options <i>Must be ordered at time of purchase</i>
Quick Ship (QSPRI) \$475 Reduces lead time. Please call for availability.
Radiance® (RAD100) \$1,760 Shower floor heating system. Radiance heating grids are fully integrated within the acrylic shell structure of the shower floor. Requires a 110-volt, 15 amp GFCI and remote installation of control box & keypad.
Pre-Levelled Foam Base (PLFSB) \$240
PVC Drain Kit Finishes Chrome included with shower base Brushed Nickel upcharge (SBSQDBN) \$135

Accessories
Drain Kit Solid Brass Drain Kit with Stainless Steel Trim (SBSQDSB) \$215
Teak Shower Seat Premium Natural Stainless (TK-SSEAT2416BNS) \$3,280 High-Polished Stainless (TK-SSEAT2416BHP) \$3,750 Standard Natural Stainless (TK-SSEAT2215NS) \$1,220 High-Polished Stainless (TK-SSEAT2215HP) \$1,700
Teak Bath Mat (TKMAT3018) \$880 Measures 30" x 17.5" x 1" Custom sizes also available. Contact MTI for details.
Teak Shower Tray (TK3636MT) Contact MTI for pricing



Factory-installed tile flange is 1/16" thick.
Account for this thickness when planning final opening size.

IMPORTANT ORDERING & INSTALLATION INFORMATION

- Factory-installed tile flange on 1, 2 or 3 sides to facilitate installation. Must specify tile flange location(s) on order.
- 3.5" drain opening pre-drilled.
- Dimensions provided represent the length and width of the bottom of the base without tile flange. See Installation Instructions.
- Add proper wet-bedding compound to fully support bottom of shower base. Optional factory installed Pre-Levelled Foam Base negates the need to wet bed when installing on a flat, level subfloor. See installation instructions.
- All bases are in accordance with CSA B45.5/IAPMO Z124 standard and compliant with ASTM C 1028-07 coefficient of friction. DoloMatte bases meet ANSI A137.1/A326.3 coefficient of friction and AS HB198:2014 pendulum slip resistance testing.

• Options and accessories may be packaged inside the box. Always check packaging before discarding.
• All product measurements are ±1/2".
• Specifications and configurations are subject to change without notice.
• Measurements herein supersede all others published prior to publication date below.

See the Installation & Operation Manual for more details.
MTI's Customer Service: Monday-Friday 8am-6pm EST
800-783-8827 or service@mtibaths.com

CSA # MTSB-3636MT
HIRL # MTSB-DM3636MT