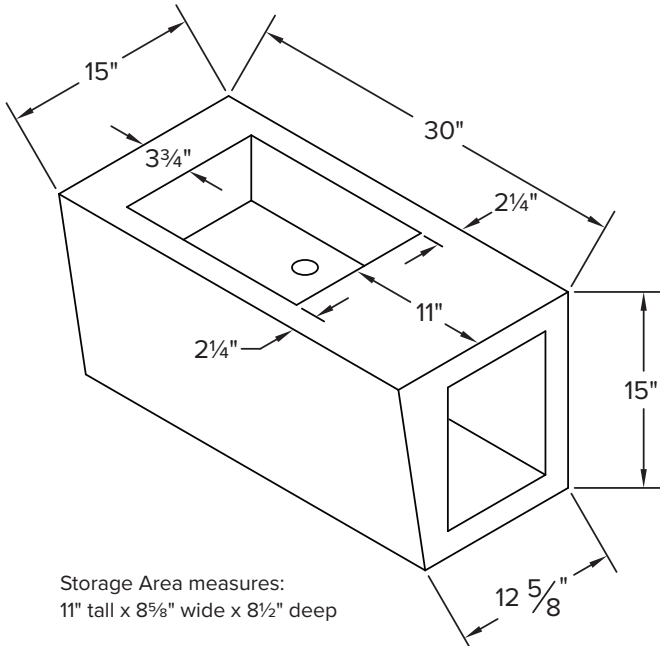


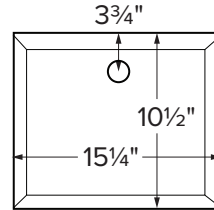
Petra 2 Wall-Mounted Vanity

MODEL MTCS-VWM802
30.25" x 14.5" x 15" Bowl: 15.25" x 10.5"
WALL-MOUNTED
SculptureStone®

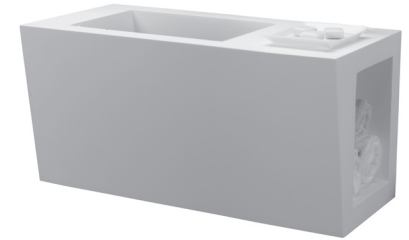
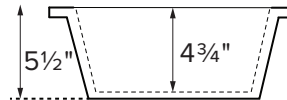


Storage Area measures:  
11" tall x 8 5/8" wide x 8 1/2" deep

Top View



Front View



Left hand bowl shown, right hand bowl is mirror image.

Dimensions 30" x 15" x 15"

FINISH	PART #	PRICE	
soft matte white	VSWM3015MT	\$4,350	Crate / Handling Fee Applies
hand-polished gloss white	VSWM3015GL	\$5,125	

ORDERING AND INSTALLATION

- Comes without an overflow. Check local codes.
- Designed for wall-mount faucet or deck-mount beside bowl opposite storage shelf
- Unit comes without faucet holes. Specify up to 3 holes.
- 1.5" drain opening.
- Includes wall-mount cleat. Wall fasteners not included.
- Rear access opening for installation.
- Custom sizes are not available.
- One-piece construction using Engineered SculptureStone® (ESS) material.
- This material is non-porous, stain-, mold- and mildew-resistant.
- Approximately 70% of the material is organic, including minerals mined from the earth, making it "Green".
- Five-Year Limited Residential Warranty.

Options Must be ordered at time of purchase

Standard Color (CWH) White	
Color Upgrade (CBI) <b>\$340</b> Biscuit	
Integrated Overflow Front Bowl Installation (CIOF) <b>\$265</b>	
Faucet Holes - comes standard without faucet holes <b>1-3 Holes (CFH) \$90</b>	
Countertop Options Backsplash (CBSM) <b>\$415</b> Sidesplash Left (CSL) <b>\$310</b> Right (CSR) <b>\$310</b>	Textured Front Rippled (CTXR) <b>\$220</b>

Accessories

Teak Sink Tray Slatted (TKST1) <b>\$205</b> Solid (TKST2) <b>\$205</b>	
Sink Bottom Cover matching material color Matte (BCSMT) <b>\$305</b> , Gloss (BCSGL) <b>\$420</b>	
Upcharge, Ext. Color for Sink Bottom Cover	Matte (SSCOLSBM) <b>\$285</b> Gloss (SSCOLSBG) <b>\$285</b>
Must specify color code: Sapphire Blue (SB), Blue Lagoon (BL), Terracotta (TC), Onyx (OX), Stratus Gray (TG), Stormgray (SG)	

- Before discarding packaging, check for accessories that may be inside.
- All product measurements are ±1/2".
- Specifications and configurations are subject to change without notice.
- Measurements herein supersede all others published prior to publication date below.

Drain Kit *Ships with sink*

Finger Touch Drain

Without Overflow

- Chrome (DKFGCN) **\$200**
- Brushed Nickel (DKFGBNN) **\$205**

With Overflow

- Chrome (DKFGC) **\$200**
- Brushed Nickel (DKFGBN) **\$195**

Grid Drain

Without Overflow

- Chrome (DKGDCN) **\$125**
- Brushed Nickel (DKGDBNN) **\$195**

With Overflow

- Chrome (DKGDC) **\$140**
- Brushed Nickel (DKGDBN) **\$195 Toe Tap**

Fixed Drain Without Overflow

Chrome (DKFDC) **\$325**