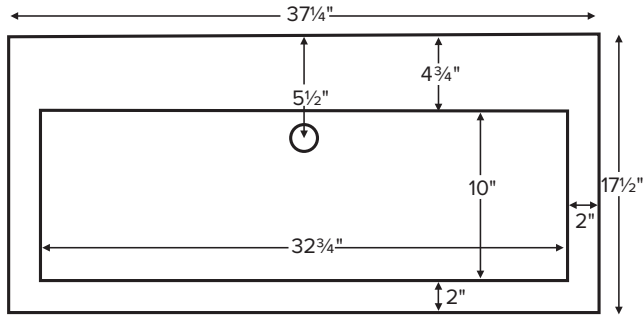


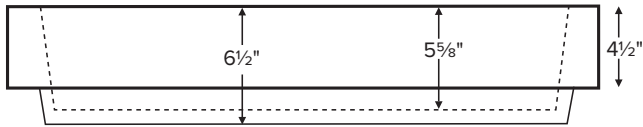
Metro 2



Shown with standard 4.5" rim height. Rim height may be specified from 3"-7" when ordering.



The interior dimensions are sink bottom measurements



Due to its handcrafted nature, always measure sink on-site to ensure cut-out accuracy.

MODEL 701
37.25" x 17.5" x 6.5"
SEMI-RECESSED
SculptureStone®
76 lbs / 34 kg

Finish	Part #	MSRP
soft matte white	MTCS701	\$1,790
hand-polished gloss white	MTCS701GL	\$2,365

Options	Must be ordered at time of purchase	
Biscuit Color Upgrade (SSBISNK) \$130	Additional material colors available for projects only. Please call MTI.	
Integrated Overflow (CIOF) \$265	Front Installation Only	
Faucet Holes Up to 3 holes no charge	Must specify hole location(s) on order	
Quick Ship (QSPRI3) \$280	reduces lead time Please call for availability.	

Accessories	Must be ordered at time of purchase	
Teak Sink Tray	Slatted (TKST1) \$205	Solid (TKST2) \$205
Sink Bottom Cover matching material color	Matte (BCLMT) \$715	Gloss (BCLGL) \$870
Ext. Color for Sink Bottom Cover Upcharge	Matte (SSCOLSBM) +\$285	Gloss (SSCOLSBG) +\$285

Drain Kits
Finger Touch Drain With Overflow
Chrome (DKFGC) \$200 , Brushed Nickel (DKFGBN) \$195
Finger Touch Drain Without Overflow
Chrome (DKFGCN) \$200 , Brushed Nickel (DKFGBNN) \$205
Grid Drain With Overflow
Chrome (DKGDC) \$140 , Brushed Nickel (DKGDBN) \$195
Grid Drain Without Overflow
Chrome (DKGDCN) \$125 , Brushed Nickel (DKGDBNN) \$195
Fixed Drain Without Overflow
Chrome (DKFDC) \$325

ORDERING AND INSTALLATION

- 1.5" drain opening. Comes standard without an overflow. Check local codes.
- One-piece construction
- Unit comes without faucet holes. Up to 3 holes drilled at no additional charge.
- Non-porous, stain-, mold- and mildew-resistant SculptureStone®
- Material is approximately 70% organic
- Five-Year Limited Residential Warranty



Also available as a wall-mount sink, MTCS-701D. See product specification sheet for details.

• Before discarding packaging, check for accessories that may be inside.
 • All product measurements are ±1/2".
 • Specifications and configurations are subject to change without notice.
 • Measurements herein supersede all others published prior to publication date below.