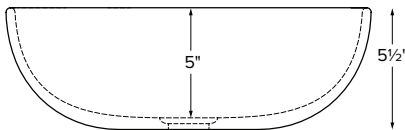
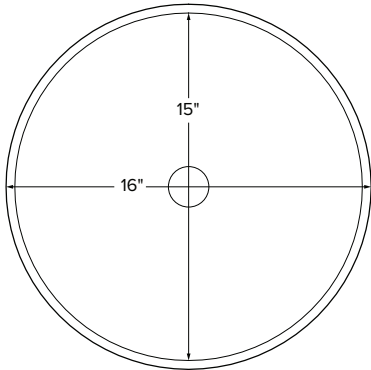


Luna 2



Luna 2 shown with a rolled rim

MODEL 721
16" x 5.5"
VESSEL STYLE
SculptureStone®
14 lbs / 6 kg



vessel style sink installs on top of the vanity.
 Flat rim model is 1/2" shorter on both inside and outside than rolled rim model (shown above).
 Cut-out for drain installation required.

Finish	Part #	Installation	MSRP
soft matte white	MTCS721F	flat rim	\$905
	MTCS721RUM	rolled rim	
hand-polished gloss white	MTCS721FGL	flat rim	\$1,475
	MTCS721RUMGL	rolled rim	

Options Must be ordered at time of purchase

Biscuit Color Upgrade (SSBISNK) +\$130
 Additional material colors available for projects only. Please call MTI.

Exterior Color \$370 for Flat Rim only (SSCOLSG) Gloss (SSCOLSM) Matte
 Must specify color code. *Not available for undermount sinks.*
 Sapphire Blue (SB), Blue Lagoon (BL), Terracotta (TC),
 Onyx (OX), Stratus Gray (TG), Stormgray (SG)

Quick Ship (QSPRI3) \$280 reduces lead time
 Please call for availability.

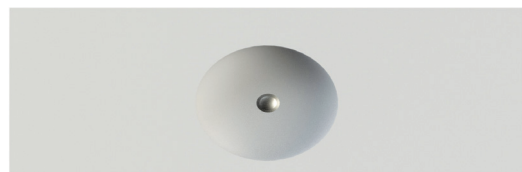
Accessories Must be ordered at time of purchase

- Drain Kits**
- Finger Touch Drain Without Overflow**
 Chrome (DKFGCN) **\$200**, Brushed Nickel (DKFGBNN) **\$205**
 - Grid Drain Without Overflow**
 Chrome (DKGDCN) **\$125**, Brushed Nickel (DKGDBNN) **\$195**
 - Fixed Drain Without Overflow**
 Chrome (DKFDC) **\$325**



ORDERING AND INSTALLATION

- 1.5" drain opening
- One-piece construction
- Non-porous, stain-, mold- and mildew-resistant SculptureStone®
- Material is approximately 70% organic
- Five-Year Limited Residential Warranty



Also available, Luna Counter-Sink 2, featuring custom-size countertop with integrated bowl. Offered in a single or double bowl configuration.

• Before discarding packaging, check for accessories that may be inside.
 • All product measurements are ±1/2".
 • Specifications and configurations are subject to change without notice.
 • Measurements herein supersede all others published prior to publication date below.