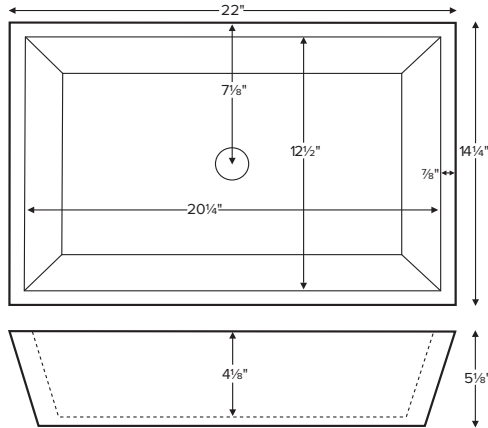


Petra 4



vessel style sink rests on top of the vanity.



Due to its handcrafted nature, always measure sink on-site to ensure cut-out accuracy.

When ordered as undermount, 1/2" x 3/8" lip detail accommodates most undermount clips (shown right).



ORDERING AND INSTALLATION

- 1.5" drain opening
- Optional overflow available for undermount (check local codes)
- Measure on site to achieve the proper cut-out size.
- Lip detail on undermount bowl will accommodate commonly used undermount hardware. Hardware is not included.
- One-piece construction
- Non-porous, stain-, mold- and mildew-resistant SculptureStone®
- Material is approximately 70% organic
- Five-Year Limited Residential Warranty

MODEL 730
22" x 14.25" x 5.125" Bowl: 20.25" x 12.5"
VESSEL STYLE or UNDERMOUNT
SculptureStone®
33 lbs / 15 kg

Finish	Part #	Installation	MSRP
soft matte white	MTCS730	vessel	\$1,195
	MTCS730UM	undermount	
hand-polished gloss white	MTCS730GL	vessel	\$1,770
	MTCS730UMGL	undermount	

Options Must be ordered at time of purchase

Biscuit Color Upgrade (SSBISNK) +\$130
Additional material colors available for projects only. Please call MTI.

Exterior Color \$370 (SSCOLSG) Gloss (SSCOLSM) Matte
Must specify color code. *Not available for undermount sinks.*
Sapphire Blue (SB), Blue Lagoon (BL), Terracotta (TC), Onyx (OX), Stratus Gray (TG), Stormgray (SG)

Quick Ship (QSPRI3) \$280 reduces lead time
Please call for availability.

Accessories Must be ordered at time of purchase

Teak Sink Tray
Slatted (TKST1) **\$205** Solid (TKST2) **\$205**

Drain Kits

Finger Touch Drain Without Overflow
Chrome (DKFGCN) **\$200**, Brushed Nickel (DKFGBNN) **\$205**

Grid Drain Without Overflow
Chrome (DKGDCN) **\$125**, Brushed Nickel (DKGDBNN) **\$195**

Fixed Drain Without Overflow
Chrome (DKFDC) **\$325**

Sink Bottom Cover matching material color
Matte (BCSMT) **\$305** Gloss (BCSGL) **\$420**
Ext. Color for Sink Bottom Cover — Upcharge
Matte (SSCOLSBM) **+\$285** Gloss (SSCOLSBG) **+\$285**

Options For undermount Sink

Integrated Overflow no charge
Rear Overflow (SINKIOR), Front Overflow (SINKIOF)

Drain Kits

Finger Touch Drain With Overflow
Chrome (DKFGC) **\$200**, Brushed Nickel (DKFGBN) **\$195**

Grid Drain With Overflow
Chrome (DKGDC) **\$140**, Brushed Nickel (DKGDBN) **\$195**

• Before discarding packaging, check for accessories that may be inside.
• All product measurements are ±1/2".
• Specifications and configurations are subject to change without notice.
• Measurements herein supersede all others published prior to publication date below.