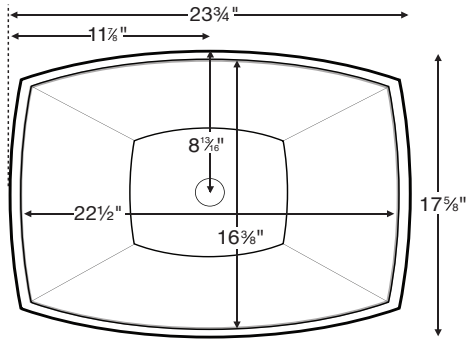


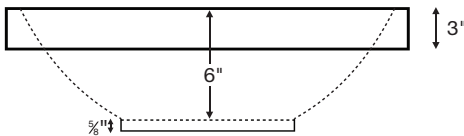
Adrian SR



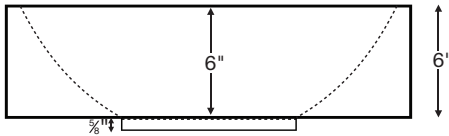
Shown with standard 3" rim height. Rim height may be specified up to 6" when ordering.



\*Shown below with 3" standard rim height.



\*Shown below with max. rim height of 6".



Due to its handcrafted nature, always measure sink on-site to ensure cut-out accuracy.

MODEL 737
23.75" x 17.625" x 6.625"
SEMI-RECESSED
<b>SculptureStone®</b>
40 lbs / 18 kg

Finish	Part #	MSRP
soft matte white	MTCS737	<b>\$1,395</b>
hand-polished gloss white	MTCS737GL	<b>\$1,970</b>

**Options** Must be ordered at time of purchase

**Biscuit Color Upgrade (SSBISNK) +\$130**

Additional material colors available for projects only. Please call MTI.

**Exterior Color \$370 (SSCOLSG) Gloss (SSCOLSM) Matte**

Must specify color code. *Not available for undermount sinks.*

Sapphire Blue (SB), Blue Lagoon (BL), Terracotta (TC), Onyx (OX), Stratus Gray (TG), Stormgray (SG)

**Quick Ship (QSPRI3) \$280** reduces lead time

Please call for availability.

**Accessories** Must be ordered at time of purchase

**Drain Kits**

**Finger Touch Drain Without Overflow**

Chrome (DKFGCN) **\$200**, Brushed Nickel (DKFGBNN) **\$205**

**Grid Drain Without Overflow**

Chrome (DKGDCN) **\$125**, Brushed Nickel (DKGDBNN) **\$195**

**Fixed Drain Without Overflow**

Chrome (DKFDC) **\$325**



Shown above with a maximum exterior height of 6". A small portion of the sink will extend below the vanity top.

**ORDERING AND INSTALLATION**

- 1.5" drain opening
- One-piece construction
- Non-porous, stain-, mold- and mildew-resistant SculptureStone®
- Material is approximately 70% organic
- Five-Year Limited Residential Warranty

• Before discarding packaging, check for accessories that may be inside.  
 • All product measurements are ±1/2".  
 • Specifications and configurations are subject to change without notice.  
 • Measurements herein supersede all others published prior to publication date below.