

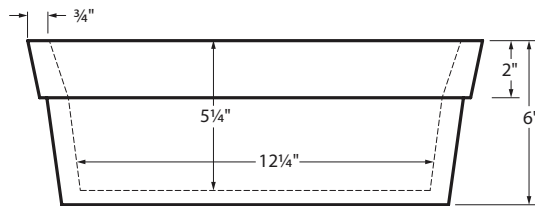
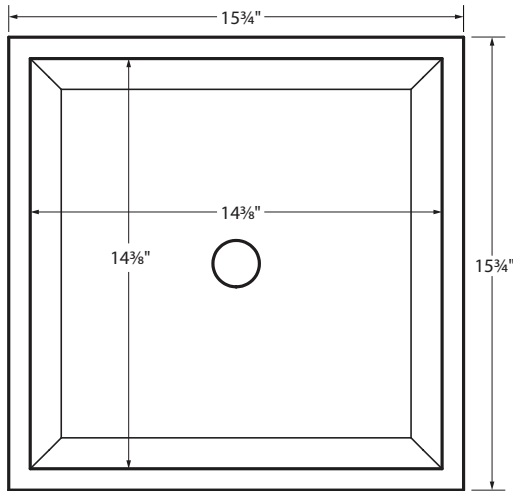


Continuum Square

MODEL 761
15.75" x 15.75" x 6"
SEMI-RECESSED
SculptureStone®
26 lbs / 12 kg

About Continuum sink:

- Designed by Matthew Quinn, Continuum is a semi-recessed sink that utilizes the countertop hole cut-out inside the sink bowl.
- This design enables the striations of the counter material to visually continue through the sink, as shown in the photos below.



Provided template ships with sink.
Always measure sink on-site to ensure cut-out accuracy.

Finish	Part #	MSRP
soft matte white	MTCS761	\$1,545
hand-polished gloss white	MTCS761GL	\$2,315

Options Must be ordered at time of purchase

- Biscuit Color Upgrade (SSBISNK) +\$130**
Additional material colors available for projects only. Please call MTI.
- Exterior Color \$370 (SSCOLSG) Gloss (SSCOLSM) Matte**
Must specify color code. *Not available for undermount sinks.*
Sapphire Blue (SB), Blue Lagoon (BL), Terracotta (TC),
Onyx (OX), Stratus Gray (TG), Stormgray (SG)
- Quick Ship (QSPRI3) \$280** reduces lead time
Please call for availability.

Accessories Must be ordered at time of purchase

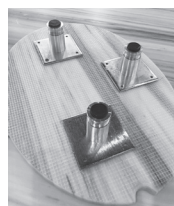
- Drain Kits**
- Finger Touch Drain Without Overflow**
Chrome (DKFGCN) **\$200**, Brushed Nickel (DKFGBNN) **\$205**
- Grid Drain Without Overflow**
Chrome (DKGDCN) **\$125**, Brushed Nickel (DKGDBNN) **\$195**
- Fixed Drain Without Overflow**
Chrome (DKFDC) **\$325**

ORDERING AND INSTALLATION

- 1.5" drain opening
- Provided template ships with sink. Always measure sink on-site to ensure cut-out accuracy.
- One-piece construction using Engineered SculptureStone® (ESS) material
- Non-porous, stain-, mold- and mildew-resistant.
- Material is approximately 70% organic
- Five-Year Limited Residential Warranty

IMPORTANT ORDERING AND INSTALLATION INFORMATION

- Top 2" sink rim designed to rest on counter.
- Sink may be used with or without countertop cut-out. Note: countertop material is not included.
- Provided adjustable leveling feet support the cut-out in the sink bowl and are included with sink as shown to the right.



Adjustable leveling feet.



Continuum shown above with countertop material installed.
Note: countertop material is NOT included with sink.

• Before discarding packaging, check for accessories that may be inside.
• All product measurements are ±1/2".
• Specifications and configurations are subject to change without notice.
• Measurements herein supersede all others published prior to publication date below.