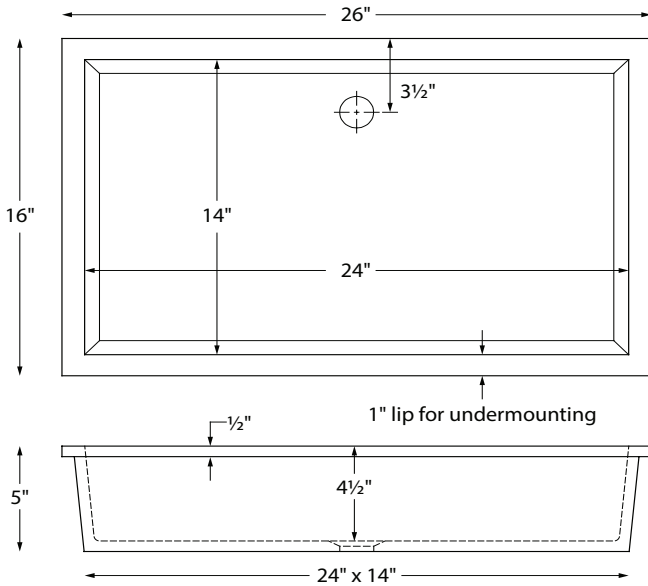


Petra 13 undermount



MODEL 766
26" x 16" x 5" Bowl: 24" x 14"
UNDERMOUNT ONLY
<b>SculptureStone®</b>
25 lbs / 11 kg



Due to its handcrafted nature, always measure sink on-site to ensure cut-out accuracy when undermounting.

**ORDERING AND INSTALLATION**

- 1.5" drain opening
- Optional overflow available for undermount (check local codes)
- undermount only. Measure on site to achieve the proper cut-out size.
- Lip detail will accommodate commonly used undermount hardware. undermount hardware is not included.
- One-piece construction using Engineered SculptureStone® (ESS) material.
- Non-porous, stain-, mold- and mildew-resistant SculptureStone®
- Material is approximately 70% organic
- Five-Year Limited Residential Warranty

Finish	Part #	MSRP
soft matte white	MTCS766	<b>\$1,345</b>
hand-polished gloss white	MTCS766GL	<b>\$2,115</b>

**Options** Must be ordered at time of purchase

**Biscuit Color Upgrade (SSBISNK) +\$130**  
Additional material colors available for projects only. Please call MTI.

**Quick Ship (QSPRI3) \$280** reduces lead time  
Please call for availability.

**Accessories** Must be ordered at time of purchase

**Teak Sink Tray**  
Slatted (TKST1) **\$205** Solid (TKST2) **\$205**

**Drain Kits**

**Integrated Overflow no charge**  
Rear Overflow (SINKIOR), Front Overflow (SINKIOF)

**Finger Touch Drain With Overflow**  
Chrome (DKFGC) **\$200**, Brushed Nickel (DKFGBN) **\$195**

**Finger Touch Drain Without Overflow**  
Chrome (DKFGCN) **\$200**, Brushed Nickel (DKFGBNN) **\$205**

**Grid Drain With Overflow**  
Chrome (DKGDC) **\$140**, Brushed Nickel (DKGDBN) **\$195**

**Grid Drain Without Overflow**  
Chrome (DKGDCN) **\$125**, Brushed Nickel (DKGDBNN) **\$195**

**Fixed Drain Without Overflow**  
Chrome (DKFDC) **\$325**

**Sink Bottom Cover** matching material color  
Matte (BCSMT) **\$305** Gloss (BCSGL) **\$420**

**Ext. Color for Sink Bottom Cover — Upcharge**  
Matte (SSCOLSBM) **+\$285** Gloss (SSCOLSBG) **+\$285**

• Before discarding packaging, check for accessories that may be inside.  
• All product measurements are ±1/2".  
• Specifications and configurations are subject to change without notice.  
• Measurements herein supersede all others published prior to publication date below.