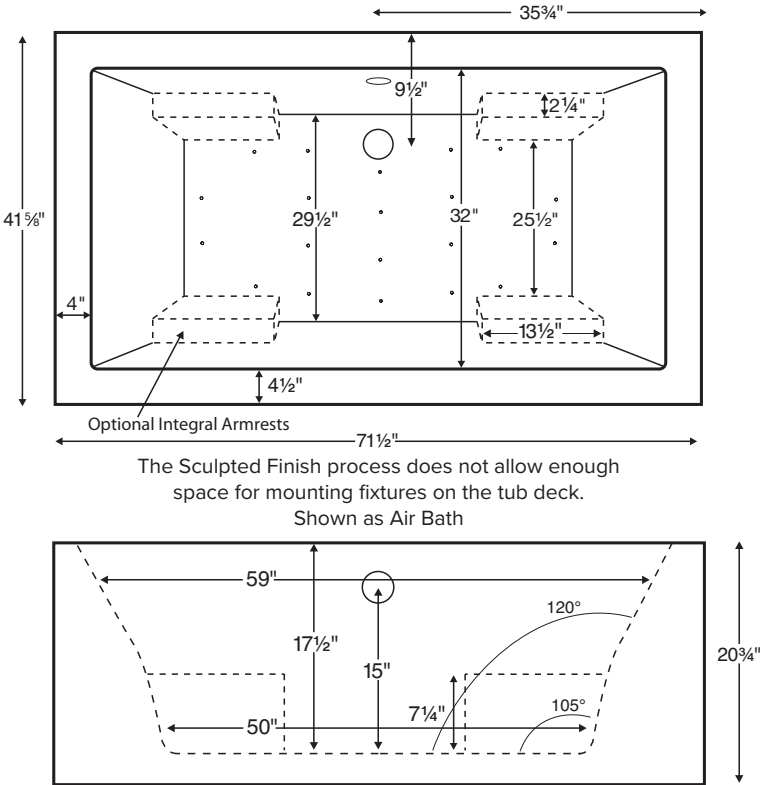




Available as a freestanding model or finished on 1, 2 or 3 sides for various installation applications.

Andrea® 16
with Sculpted Finish®

MODEL 106A	
71.5" x 41.625" x 20.75"	
FREESTANDING or ALCOVE 99 gal to overflow	
Acrylic CXL®	DoloMatte®
177 lbs / 80 kg	<SOAKER> 199 lbs / 90 kg
Filling this tub to the maximum may require an above average size or dedicated water heater.	



ELECTRICAL COMPONENTS & SPECIFICATIONS		
Hydrotherapy Package	Components Included	GFCI/110V
Microbubbles	Microbubbles pump	1-15 amp
Air Massage	heated blower	1-15 amp
Microbubbles with Air	Microbubbles pump, heated blower	1-20 amp
Air Massage Elite	heated blower, chromatherapy	1-15 amp
Microbubbles with Air Elite	Microbubbles pump, heated blower, chromatherapy	2-15 amp

Electrical requirements may change with the addition of optional therapy components. See specific option details or installation information. CSA Certified C/US; B45.5/IAPMO ANSI Z124.1 and ANSI 112.19.7

IMPORTANT ORDERING & INSTALLATION INFORMATION

- Before ordering or installing, please consider future access to equipment.
- Unless ordering Sculpted Finish on 4 sides, please include a diagram specifying which sides will need to be finished, along with location of optional tile flange(s).
- Overflow is factory installed for provided toe tap drain.
- When ordering an air bath, the air blower must be remote mounted.
- Microbubbles system components must be installed on a non-Sculpted Finish side. Components will extend beyond the perimeter of the tub. Call MTI for specific details regarding the desired installation before placing the order.
- Radiance placed on floor locations will affect placement of air jets.
- Hydrotherapy equipment may ship loose for remote installation. See package content on the following page for details.
- Faucet valves cannot be installed on this tub model.
- All tubs are compliant with ASTM C 1028-07 coefficient of friction. DoloMatte meets ANSI A137.1/A326.3 coefficient of friction and AS HB198:2014 slip tests.

See the Installation & Operation Manual for more details.
MTI's Customer Service: Monday-Friday 8am-6pm EST
800-783-8827 or service@mtibaths.com

• Options and accessories may be packaged inside the tub crate. Always check packaging before discarding.
• All product measurements are ±1/2".
• Specifications and configurations are subject to change without notice.
• Measurements herein supersede all others published prior to publication date below.



Andrea® 16
with Sculpted Finish®
MODEL 106A
71.5" x 41.625" x 20.75"

Hydrotherapy Packages	Package Contents	Sculpted Finish Sides	Acrylic CXL®		DoloMatte®	
			Part #	MSRP	Part #	MSRP
Soaker	Soaking bath - no jets, pre-leveled foam base, factory installed rectangular overflow with toe tap drain	4-sides sculpted	S106A4	\$9,435	S106D4	\$10,600
		3-sides sculpted	S106A3	\$8,740	S106D3	\$9,760
		2-sides sculpted	S106A2	\$7,075	S106D2	\$7,955
		1-side sculpted	S106A1	\$6,675	S106D1	\$7,405
Microbubbles	1 infusion port, microbubbles pump, pre-leveled foam base, factory installed rectangular overflow with toe tap drain	4-sides sculpted	n/a	n/a	n/a	n/a
		3-sides sculpted	M106A3	\$11,975	M106D3	\$12,995
		2-sides sculpted	M106A2	\$10,310	M106D2	\$11,190
		1-side sculpted	M106A1	\$9,905	M106D1	\$10,635
Air Massage	20 air jets, heated air blower, pre-leveled foam base, factory installed rectangular overflow with toe tap drain	4-sides sculpted	AST106A4	\$12,990	AST106D4	\$14,155
		3-sides sculpted	AST106A3	\$12,295	AST106D3	\$13,315
		2-sides sculpted	AST106A2	\$10,630	AST106D2	\$11,510
		1-side sculpted	AST106A1	\$10,225	AST106D1	\$10,955
Air Massage Elite	30 air jets, heated air blower, Chromatherapy LED lighting, Spa Mode, pre-leveled foam base, factory installed rectangular overflow with toe tap drain	4-sides sculpted	AE106A4	\$14,835	AE106D4	\$16,000
		3-sides sculpted	AE106A3	\$14,145	AE106D3	\$15,160
		2-sides sculpted	AE106A2	\$12,480	AE106D2	\$13,355
		1-side sculpted	AE106A1	\$12,075	AE106D1	\$12,805
Microbubbles with Air Massage	1 infusion port, microbubbles pump, 20 air jets, heated air blower, pre-leveled foam base, factory installed rectangular overflow with toe tap drain	4-sides sculpted	n/a	n/a	n/a	n/a
		3-sides sculpted	ASTM106A3	\$14,940	ASTM106D3	\$15,960
		2-sides sculpted	ASTM106A2	\$13,275	ASTM106D2	\$14,155
		1-side sculpted	ASTM106A1	\$12,875	ASTM106D1	\$13,605
Microbubbles with Air Massage Elite	1 infusion port, microbubbles pump, 30 air jets, heated air blower, Chromatherapy LED lighting, Spa Mode, pre-leveled foam base, factory installed rectangular overflow with toe tap drain	4-sides sculpted	n/a	n/a	n/a	n/a
		3-sides sculpted	AEM106A3	\$16,695	AEM106D3	\$17,715
		2-sides sculpted	AEM106A2	\$15,030	AEM106D2	\$15,910
		1-side sculpted	AEM106A1	\$14,625	AEM106D1	\$15,355

Microbubbles system components must be installed on a non-Sculpted Finish® side.

Components will extend beyond the perimeter of the tub. Call MTI for specific details regarding the desired installation before placing order.

For more customized applications, additional hydrotherapies may possibly be integrated in Sculpted Finish® tubs, depending on the types of therapy and the installation application. Visit mtibaths.com or call MTI at 800.783.8827.

RECOMMENDED SENSORY THERAPIES

Chromatherapy

(LE) **\$880** underwater lighting
2 LED lights included

Audiotherapy

(STEREOBT) **\$1,535** 2 transducers with bluetooth and amplifier
(BTREMOTE) **\$660** bluetooth remote

(STEREOH202) **\$1,740** 4 transducers
amplifier not included

Thermaltherapy

(RAD100) **\$1,760** Radiance®
2 heated zones included

For more information on options and accessories go to Acrylic Tub Options on mtibaths.com

Andrea® 16 with Sculpted Finish®
MODEL 106A

Options <i>Must be ordered at time of purchase.</i>	
Standard Color White (CWH) gloss Acrylic CXL, matte DoloMatte	
Textured, Slip-Resistant Bottom (TXTBTM) \$115 DoloMatte® exceeds ANSI A137.1/A326.3 and AS HB198 slip tests.	
Ozonator (OZONE) \$565 <i>Cannot be added to soakers or airbaths without Microbubbles system.</i>	
Integral Armrests - 2 pair (INTARM2) \$325 center drain tub models	
Installation Options <i>Must be ordered at time of purchase.</i>	
Tile Flange	
Factory Installed rigid ABS	IMPORTANT: <i>Must specify flange location(s) on order of Factory-Installed Flange.</i>
1 Side (TFK1) \$190	
2 Sides (TFK2) \$205	
3 Sides (TFK3) \$220	
Field Install Kit (TFKNI) \$205	
Includes rigid ABS & adhesive	

Accessories	
Pillows from \$200	
Teak Bath Mat (TKMAT3018) \$880 <i>Custom sizes also available. Contact MTI for details and pricing.</i>	
Teak Tub Tray	
Slatted (TK-TRAY1) \$540	Solid (TK-TRAY2) \$615
Teak Seat (TK-REMSEAT) \$715 For use with armrests only.	
Floor-Mounted High-Flow Tub Filler	
Traditional Brushed Nickel (FILLTBN) \$1,885	

Drains & Overflow Kits *Must be ordered at time of purchase*

Toe Tap with Rectangular Overflow – PVC Drain Kit
Overflow is factory installed
Chrome (WOTRC) included
Brushed Nickel (WOTRBNU) substitute free of charge
White (WOTRWU) **\$65** finish upcharge

Slim-Line Overflow with Toe Tap Drain *Must be ordered at time of purchase*

- May upgrade rectangular overflow to Slim-Line Overflow
- Low profile overflow is factory installed
- Overflow measures 4.5" x 1"
- Provides a deeper soak
- Not available for commercial applications

Slim-Line Overflow with Toe Tap Drain
PVC Drain

Chrome (SLOTC) **\$550**
Brushed Nickel (SLOTBN) **\$585**
Polished Nickel (SLOTPN) **\$615**
White (SLOTW) **\$475**

Slim-Line Overflow with Toe Tap Drain
Solid Brass Drain

Chrome (SLOTSBC) **\$1,025**
Brushed Nickel (SLOTSBBN) **\$1,030**
Polished Nickel (SLOTSBPN) **\$1,030**
White (SLOTSBW) **\$1,065**



Rectangular overflow included



Optional Slim-Line overflow