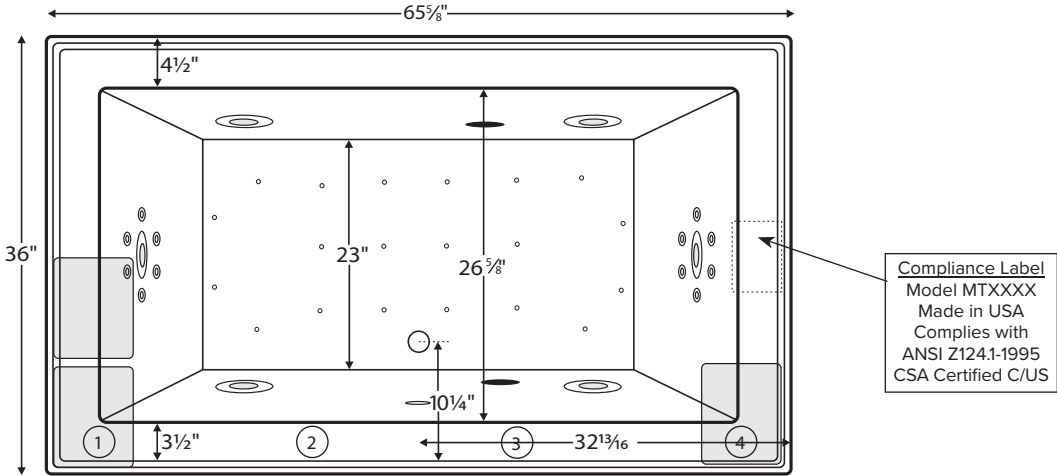


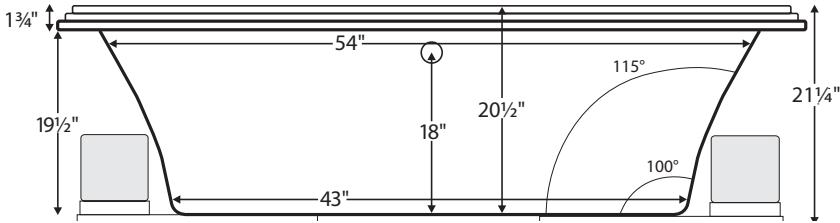
Madelyn 2



MODEL 135		
65.625" x 36" x 21.25"		
DROP-IN or UNDERMOUNT <i>Not recommended as a tub/shower combination</i> 80 gal to overflow		
Acrylic CXL®		DoloMatte®
115 lbs / 52 kg	<SOAKER>	79 lbs / 36 kg
135 lbs / 61 kg	<PLUMBED>	99 lbs / 45 kg
Filling this tub to the maximum may require an above average size or dedicated water heater.		



Numbered areas on tub deck represent possible locations to install cleaning systems, faucets and other fixtures. Shown with Air Massage and Ultra Whirlpool Package.



IMPORTANT:
Air baths and tubs with a pre-leveled foam base or frame system add 2-3" to overall tub height.

IMPORTANT ORDERING & INSTALLATION INFORMATION

- Before ordering or installing, please consider future access to equipment.
- Add proper bedding compound to fully level and support bottom of tub.
- When equipped with an air bath package, pre-leveled foam base or frame system, overall tub height is increased by approx. 2-3" and is designed to install on a flat, level subfloor.
- Radiance placed on airbath floor will affect placement of air jets.
- System components may extend beyond the perimeter of deck.
- Please measure tub **on-site** before building tub decking.
- Advise MTI when planning to use a glass enclosure. Relocation of controls may be necessary.
- Suction and control locations may vary.
- All tubs are compliant with ASTM C 1028-07 coefficient of friction. DoloMatte meets ANSI A137.1/ A326.3 coefficient of friction and AS HB198:2014 slip tests.

ELECTRICAL COMPONENTS & SPECIFICATIONS

Hydrotherapy Package	Components Included	GFCI / 110V
Standard Whirlpool	2-bhp pump	1-15 amp
Stream Bath	1/2-bhp, ozone	1-20 amp
Microbubbles	Microbubbles pump	1-15 amp
Ultra Whirlpool	2-bhp pump x 2, inline heater, ozone	2-20 amp
Air Massage	heated blower	1-15 amp
Air Massage Elite	heated blower, chromatherapy	1-15 amp
Air Massage w/ Stream Bath	1/2-bhp pump, heated blower, ozone	1-20 amp
Air Massage Elite w/ Stream Bath	1/2-bhp pump, heated blower, chromatherapy, ozone	1-20 amp

Hydrotherapy Package	Components Included	GFCI / 110V
Microbubbles with Air	Microbubbles pump, heated blower	1-20 amp
Microbubbles with Air Elite	Microbubbles pump, heated blower, chromatherapy	2-15 amp
Air with Whirlpool	2-bhp pump, heated blower	2-15 amp
Air with Ultra Whirlpool	2-bhp pump x 2, inline heater, heated blower, ozone	2-20 amp
Air Elite with Whirlpool	2-bhp pump, heated blower, chromatherapy	2-15 amp
Air Elite with Ultra Whirlpool	2-bhp pump x 2, inline heater, heated blower, chromatherapy, ozone	2-20 amp

See the Installation & Operation Manual for more details.
MTI's Customer Service Monday-Friday 8am-6pm EST
800-783-8827 or service@mtibaths.com

- Before discarding tub crate, check for accessories that may be packaged inside.
- All product measurements are ±1/2".
- Specifications and configurations are subject to change without notice.
- Measurements herein supersede all others published prior to publication date below.



- Aromatherapy is eliminated for undermount applications
- Air Baths, Pre-Levelled Foam Base or Frame Systems increase overall height by 2-3".

Madelyn 2

MODEL 135

65.625" x 36" x 21.25"

Hydrotherapy Packages	Package Contents	Acrylic CXL®		DoloMatte®	
		Part #	MSRP	Part #	MSRP
Soaker	Soaking bath - no jets	S135-DI	\$2,830	S135DM-DI	\$3,415
		S135-UM		S135DM-UM	
Stream Bath	6 side vents, 2 end vents, 1/2 bhp pump, Ozone	SM135-DI	\$5,310	SM135DM-DI	\$5,890
		SM135-UM		SM135DM-UM	
Microbubbles	1 microbubbles infusion port and pump	M135-DI	\$6,065	M135DM-DI	\$6,645
		M135-UM		M135DM-UM	
Air Massage	20 air jets, heated air blower, Aromatherapy, pre-leveled foam base	AST135-DI	\$6,385	AST135DM-DI	\$6,965
		AST135-UM		AST135DM-UM	
Air Massage Elite	30 air jets, heated air blower, Aromatherapy, Chromatherapy LED lighting, Spa Mode, pre-leveled foam base	AE135-DI	\$8,230	AE135DM-DI	\$8,815
		AE135-UM		AE135DM-UM	
Stream Bath with Air Massage	6 side vents, 2 end vents, 1/2 bhp pump, Ozone, 20 air jets, heated air blower, Aromatherapy, pre-leveled foam base	ASTSM135-DI	\$8,375	ASTSM135DM-DI	\$8,955
		ASTSM135-UM		ASTSM135DM-UM	
Stream Bath with Air Massage Elite	6 side vents, 2 end vents, 1/2 bhp pump, Ozone, 30 air jets, heated air blower, Aromatherapy, Chromatherapy LED lighting, Spa Mode, pre-leveled foam base	AESM135-DI	\$10,415	AESM135DM-DI	\$11,000
		AESM135-UM		AESM135DM-UM	
Microbubbles with Air Massage	1 microbubbles infusion port and pump, 20 air jets, heated air blower, Aromatherapy, pre-leveled foam base	ASTM135-DI	\$9,030	ASTM135DM-DI	\$9,615
		ASTM135-UM		ASTM135DM-UM	
Microbubbles with Air Massage Elite	1 microbubbles infusion port and pump, 30 air jets, heated air blower, Aromatherapy, Chromatherapy LED lighting, Spa Mode, pre-leveled foam base	AEM135-DI	\$10,785	AEM135DM-DI	\$11,365
		AEM135-UM		AEM135DM-UM	
Standard Whirlpool	6 point-massage jets, 2-bhp pump	P135-DI	\$5,135	P135DM-DI	\$5,715
		P135-UM		P135DM-UM	
Ultra Whirlpool	6 point-massage jets, 12 micro-jets with Tsubo massage, 2 2-bhp pumps, inline heater, Ozone	P135U-DI	\$7,075	P135UDM-DI	\$7,660
		P135U-UM		P135UDM-UM	
Air Massage with Standard Whirlpool	6 point-massage jets, 2-bhp pump, 20 air jets, heated air blower, Aromatherapy, pre-leveled foam base	AW135-DI	\$8,685	AW135DM-DI	\$9,265
		AW135-UM		AW135DM-UM	
Air Massage with Ultra Whirlpool	6 point-massage jets, 12 micro-jets with Tsubo massage, 2 2-bhp pumps, inline heater, 20 air jets, heated air blower, Aromatherapy, Ozone, pre-leveled foam base	AU135-DI	\$10,625	AU135DM-DI	\$11,210
		AU135-UM		AU135DM-UM	
Air Massage Elite with Standard Whirlpool	6 point-massage jets, 2-bhp pump, 30 air jets, heated air blower, Aromatherapy, Chromatherapy LED lighting, Spa Mode, pre-leveled foam base	AEAP135-DI	\$10,535	AEAP135DM-DI	\$11,120
		AEAP135-UM		AEAP135DM-UM	
Air Massage Elite with Ultra Whirlpool	6 point-massage jets, 12 micro-jets with Tsubo massage, 2 2-bhp pumps, inline heater, 30 air jets, heated air blower, Aromatherapy, Ozone, Chromatherapy LED lighting, Spa Mode, pre-leveled foam base	AEAP135U-DI	\$11,605	AEAP135UDM-DI	\$12,185
		AEAP135U-UM		AEAP135UDM-UM	

RECOMMENDED SENSORY THERAPIES

Chromatherapy

(LE) **\$880** underwater lighting
2 LED lights included

Audiotherapy

(STEREOBT) **\$1,535** 2 transducers with bluetooth and amplifier
(BTREMOTE) **\$660** bluetooth remote

(STEREOH202) **\$1,740** 4 transducers amplifier not included

Thermaltherapy

(RAD100) **\$1,760** Radiance®
2 heated zones included
(HTISOAK) **\$910**



For more information on options and accessories go to Acrylic Tub Options at mtibaths.com

Options <i>Must be ordered at time of purchase.</i>
Standard Colors White (CWH) DoloMatte available in matte white only. Biscuit (CBS) Not available for DoloMatte.
Quick Ship reduces lead time (QSPRI) \$475 <i>Please call for availability</i>
Inline Heater maintains water temperature For Soaker or Air Baths (HTISOAK) \$910 Includes a recirculating pump <i>Cannot be combined with Microbubbles.</i>
Virtual Spout high-flow integrated tub filler (FPMJ) \$500 <i>Virtual Spout location is left of the overflow, unless otherwise specified on order.</i>
Grab Bars from \$360 <i>Selections vary. Personalization available.</i>
Textured Bottom (TXTBTM) Acrylic CXL® only \$115 DoloMatte® exceeds ANSI A137.1/A326.3 and AS HB198 slip tests.
Accessories
Pillows from \$200
Teak Bath Mat (TKMAT3018) \$880 <i>Custom sizes also available. Contact MTI for details and pricing.</i>
Teak Tub Tray Slatted (TK-TRAY1) \$540 Solid (TK-TRAY2) \$615

Hydrotherapy Equipment & Cleaning Systems <i>Must be ordered at time of purchase.</i>
Inline Heater maintains water temperature For Whirlpools or Stream Bath (HTI) \$630 Uses existing pump <i>Cannot be combined with Microbubbles.</i>
Whirlpool Cleaning System Fill-Flush (FFSO) \$650 <i>Must specify stub-out location on order. See page 1 for location options.</i>
Whirlpool Jets Pump upgrade may be advisable for optimal performance when adding jets. Point-Massage Jet Extra Point-Massage Jet (EJ) \$345 Micro-Jet from \$400 <i>Jet styles and packages vary. Personalization available.</i>
Pump Upgrade - 3-bhp (PUMP3) \$345
Jet Trim Kits For Standard Whirlpool Chrome (TRC) \$300 , Brushed Nickel (TRBN) \$800 For Ultra Whirlpool Chrome (TRCU) \$410 , Brushed Nickel (TRBNU) \$1,060
Ozonator (OZONE) \$565 <i>Cannot be added to soakers or airbaths without combination hydrotherapy package or HTISOAK.</i>

Installation Options <i>Must be ordered at time of purchase.</i>
Pre-Leveled Foam Base (PLFOAM) \$325 All airbaths include a pre-leveled foam base.
Pre-Leveled Frame and Foam Base (PLF) \$815

Drains & Overflow Kits <i>Toe Tap Rectangular Overflow must be ordered at time of purchase</i>		
Cable Driven Drain Finishes – PVC Drain Kit White/Biscuit (WOCDW) \$485 Chrome (WOC) \$450 Brushed Nickel (WOCDBN) \$540 Polished Nickel (WOCDPN) \$595 Oil-Rubbed Bronze+ (WOCBOR) \$610 Polished Brass (WOCDBR) \$760 Special Finishes* (WOCDSF) \$1,250 <i>MTI does not offer a brass body cable drain kit.</i>	Toe Tap Round Overflow – PVC Drain Kit Chrome (WOTTC) \$420 Brushed Nickel (WOTTBN) \$425 Polished Nickel (WOTTPN) \$425 Special Finishes* (WOTTSF) \$1,260 Round Overflow – Solid Brass Drain Chrome (WOTTSBC) \$895 Brushed Nickel (WOTTSBBN) \$895 Polished Nickel (WOTTSBPN) \$895	Toe Tap Rectangular Overflow – PVC Drain Kit Chrome (WOTRC) \$520 Brushed Nickel (WOTRBN) \$475 White (WOTRW) \$580 Lift & Turn Drain Finishes – PVC Drain Kit Chrome (WOC) \$205 White (WOW) \$270 Brushed Nickel (WOBN) \$335

Slim-Line Overflow with Toe Tap Drain <i>Must be ordered at time of purchase.</i> • Low profile overflow is factory installed • Overflow measures 4.5" x 1" • Provides a deeper soak • Not available for commercial applications	Slim-Line Overflow with Toe Tap Drain PVC Drain Chrome (SLOT) \$550 Brushed Nickel (SLOTBN) \$585 Polished Nickel (SLOTPN) \$615 White (SLOTW) \$475	Slim-Line Overflow with Toe Tap Drain Solid Brass Drain Chrome (SLOTSBC) \$1,025 Brushed Nickel (SLOTSBBN) \$1,030 Polished Nickel (SLOTSBPN) \$1,030 White (SLOTSBW) \$1,065
---	--	---

* MTI has selected an oil-rubbed bronze finish that is compatible with Delta and many other manufacturers. To ensure best match, order as a Special Finish and submit a sample.

* Allow 2-4 weeks lead time for Special Finishes. Send sample for best match.