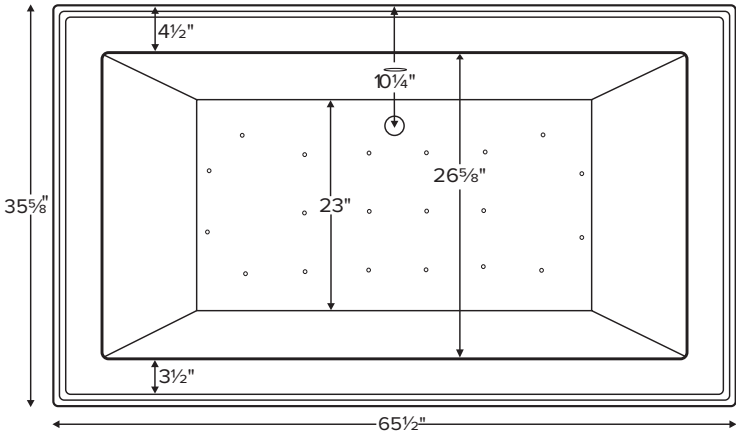


Madelyn 3



Shown with optional pedestal

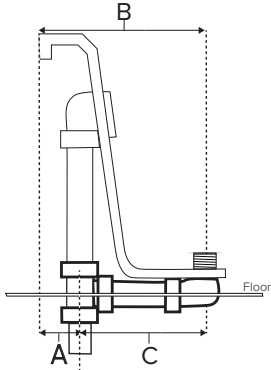
MODEL 136	
65.5" x 35.625" x 23.5" Optional pedestal: 56" x 25" x 2"	
FREESTANDING 80 gal to overflow	
<b>Acrylic CXL®</b>	<b>DoloMatte®</b>
155 lbs / 71 kg	<SOAKER> 174 lbs / 79 kg
Filling this tub to the maximum may require an above average size or dedicated water heater.	



**IMPORTANT**  
Optional pedestal base ships attached to tub and must be ordered at time of purchase to ensure proper fit and finish.

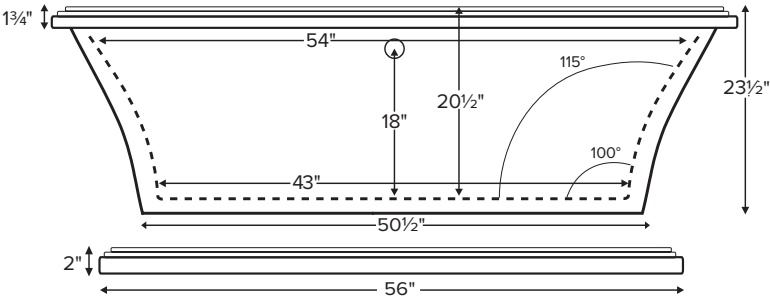
Drain Rough-In Measurements

A	B	C
3 1/2"	10 1/4"	6 3/4"



Requires use of a wall-mounted or freestanding tub filler.

Shown with Air Massage Package.



Optional one-piece pedestal base.



**ELECTRICAL COMPONENTS & SPECIFICATIONS**

Hydrotherapy Package	Components Included	110V GFCI
Air Massage	heated blower	1-15 amp
Air Massage Elite	heated blower, chromatherapy	1-15 amp

Electrical requirements may change with the addition of optional therapy components.  
See specific option details or installation information.  
CSA Certified C/US; B45.5/IAPMO ANSI Z124.1 and ANSI 112.19.7

See the Installation & Operation Manual for more details.  
MTI's Customer Service: Monday-Friday 8am-6pm EST  
**800-783-8827** or [service@mtibaths.com](mailto:service@mtibaths.com)

**IMPORTANT ORDERING & INSTALLATION INFORMATION:**

- Before ordering or installing, please consider future access to equipment.
- Comes equipped with an access panel on the drain side for installation of waste and overflow.
- Optional pedestal ring does not increase the height of the tub.
- Air baths require job site preparations for remote mounting the blower.
- Hydrotherapy equipment may ship loose for remote installation depending on tub model. See package content on the following page for details.
- MTI will eliminate the access panel upon request. Installation will be more difficult.
- Radiance placed on floor locations will affect placement of air jets.
- Faucet valves cannot be installed on this tub model.
- All tubs are in accordance with CSA B45.5/IAPMO Z124 standard and compliant with ASTM C 1028-07 coefficient of friction. DoloMatte meets ANSI A137.1/A326.3 coefficient of friction and AS HB198:2014 pendulum slip resistance testing.

• Before discarding tub packaging, check for accessories that may be packaged inside.  
• All product measurements are ±1/2".  
• Specifications and configurations are subject to change without notice.  
• Measurements herein supersede all others published prior to publication date below.

Madelyn 3

MODEL 136

65.5" x 35.625" x 23.5"

Hydrotherapy Packages	Package Contents	Acrylic CXL®		DoloMatte®	
		Part #	MSRP	Part #	MSRP
Soaker	Soaking bath - no jets; includes a pre-leveled foam base.	S136A	\$6,220	S136ADM	\$7,000
		With pedestal S136B	\$7,460	With pedestal S136BDM	\$8,335
Air Massage	20 air jets, heated air blower, pre-leveled foam base. Blower and control boxes must be remote located.	AST136A	\$9,775	AST136ADM	\$10,555
		With pedestal AST136B	\$11,015	With pedestal AST136BDM	\$11,890
Air Massage Elite	30 air jets, heated air blower, Chromatherapy LED lighting, Spa Mode, pre-leveled foam base. Blower and control boxes must be remote located.	AE136A	\$11,625	AE136ADM	\$12,400
		With pedestal AE136B	\$12,865	With pedestal AE136BDM	\$13,740

RECOMMENDED SENSORY THERAPIES

**Chromatherapy**

(LE) **\$880** underwater lighting  
2 LED lights included

**Audiotherapy**

(STEREOBT) **\$1,535** 2 transducers  
with bluetooth and amplifier  
(BTREMOTE) **\$660** bluetooth remote

(STEREOH202) **\$1,740** 4 transducers  
amplifier not included

**Thermaltherapy**

(RAD100) **\$1,760** Radiance®  
2 heated zones included

Options <i>Must be ordered at time of purchase</i>
<b>Standard Colors</b> White (CWH) DoloMatte available in matte white only. Biscuit (CBS) Not available for DoloMatte.
<b>Quick Ship</b> reduces lead time (QSPRI) <b>\$475</b> <i>Please call for availability.</i>
<b>Textured Bottom</b> (TXTBTM) Acrylic CXL® only <b>\$115</b> DoloMatte® exceeds ANSI A137.1/A326.3 and AS HB198 slip tests.
<b>Virtual Spout</b> high-flow integrated tub filler (FPMJ) <b>\$500</b>
<b>Grab Bars</b> from <b>\$360</b> (1 set of 2) Grab bars are factory-installed to the left and right of the overflow. Go to Acrylic Tub Options on <a href="http://mtibaths.com">mtibaths.com</a> for details before ordering. <i>Color and finish selections vary.</i>
<b>Decorative Towel Bar</b> Chrome (CHTOWEL) <b>\$600</b> , Brushed Nickel (BNTOWEL) <b>\$600</b>

Accessories
<b>Pillows</b> from <b>\$200</b>
<b>Teak Bath Mat</b> (TKMAT3018) <b>\$880</b> <i>Custom sizes also available. Contact MTI for details and pricing.</i>
<b>Teak Tub Tray</b> Slatted (TK-TRAY1) <b>\$540</b> Solid (TK-TRAY2) <b>\$615</b>
<b>Floor-Mounted High-Flow Tub Filler</b> Traditional Brushed Nickel (FILLTBN) <b>\$1,885</b>
<b>Faucet Stand</b> SculptureStone® Standard
<b>Small</b> 3-hole capacity <b>14¼" w x 21¾" h</b> Matte (STAND) <b>\$780</b>
<b>Large</b> 5-hole capacity <b>22" w x 21¾" h</b> Matte (STANDL) <b>\$925</b>

**Madelyn 3**

MODEL 136

65.5" x 35.625" x 23.5"

**Cable Driven**

Turn the overflow knob clockwise to open the drain, then counterclockwise to close the drain.



**Drain Finishes - PVC Drain Kit**

- White/Bone/Biscuit (WOCDW) **\$485**
- Chrome (WOC) **\$450**
- Brushed Nickel (WOCDBN) **\$540**
- Polished Nickel (WOCDPN) **\$595**
- Oil-Rubbed Bronze<sup>†</sup> (WOCBOR) **\$610**
- Polished Brass (WOCDBR) **\$760**
- Special Finishes\* (WOCDSF) **\$1,250**

MTI does not offer a brass body cable drain kit.

**Lift & Turn**

Simple lift & turn to open. Lift, turn & release to close.



**Drain Finishes - PVC Drain Kit**

- Chrome (WOC) **\$205**
- White (WOW) **\$270**
- Brushed Nickel (WOBN) **\$335**

**Toe Tap** Push down on drain cover to open and close.



**Round Overflow - PVC Drain Kit**

- Chrome (WOTTC) **\$420**
- Brushed Nickel (WOTTBN) **\$425**
- Polished Nickel (WOTTPN) **\$425**
- Special Finishes\* (WOTTSF) **\$1,260**



**Round Overflow - Solid Brass Drain**

- Chrome (WOTTSBC) **\$895**
- Brushed Nickel (WOTTSBBN) **\$895**
- Polished Nickel (WOTTSBPN) **\$895**



**Rectangular Overflow - PVC Drain Kit**

- Chrome (WOTRC) **\$520**
- Brushed Nickel (WOTRBN) **\$475**
- White (WOTRW) **\$580**

Rectangular Overflow kit must be specified when the tub is ordered.

**Slim-Line Overflow with Toe Tap Drain**

Sleek low profile overflow is factory-installed • Overflow measures 4.5" x 1"  
Provides a deeper soak • Not available for commercial applications



**Must be specified when the tub is ordered.**  
**Available for select MTI Solutions Collection tubs only.**

**Slim-Line Overflow with Toe-Tap PVC Drain**

- Chrome (SLOT) **\$550**
- Brushed Nickel (SLOTBN) **\$585**
- Polished Nickel (SLOTPN) **\$615**
- White (SLOTW) **\$475**



**Slim-Line Overflow with Toe-Tap Solid Brass Drain**

- Chrome (SLOTSBC) **\$1,025**
- Brushed Nickel (SLOTSBBN) **\$1,030**
- Polished Nickel (SLOTSBPN) **\$1,030**
- White (SLOTSBW) **\$1,065**

See individual tub specification sheets for availability.

\* Allow 2-4 weeks lead time for Special Finishes. Send sample for best match.

<sup>†</sup>Oil Rubbed Bronze finishes vary among manufacturers. MTI has selected a finish that is compatible with many available. To ensure best match, order as a Special Finish and submit a sample.

**NOTE:**

MTI does not warrant drain kits or finishes, though drain kits may carry a direct factory warranty from the manufacturer. Proper drain installation is the responsibility of the installer. MTI's tub warranty does not cover drain leakage.