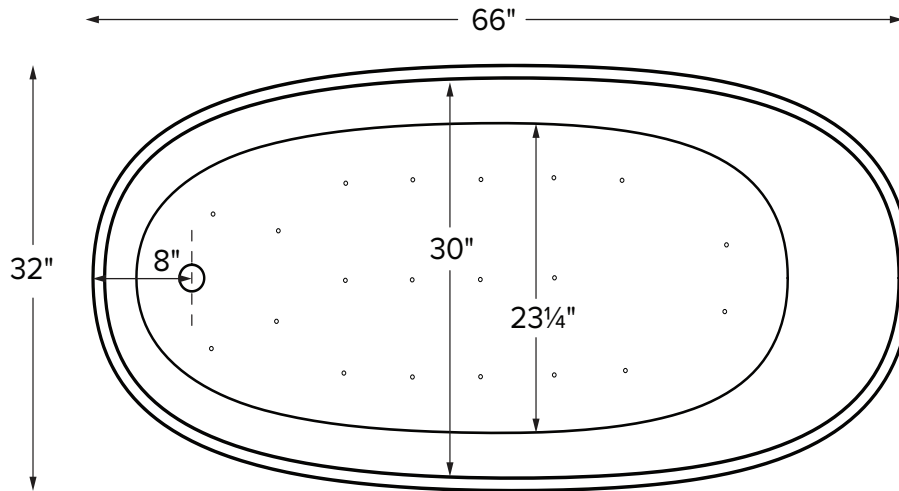


Lydia

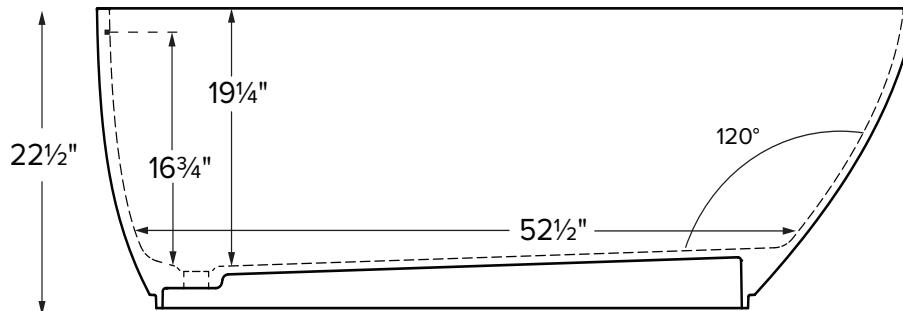


Features an integrated overflow.

MODEL 189
66" x 32" x 21.5"/22.5"
FREESTANDING 94 gal to overflow
SculptureStone®
230 lbs / 104 kg soaker 260 lbs / 118 kg airbath
May also be undermounted. Must specify on order. Not recommended as a tub / shower combination. Filling this tub to the maximum may require an above average size or dedicated water heater.



Shown above as an Air Bath.



ELECTRICAL COMPONENTS & SPECIFICATIONS		
Required Electrical Service - 110 Volt		
Hydrotherapy Package	Components Included	GFCI
Air Massage	heated blower	1-15 amp
Electrical requirements may change with the addition of optional therapy components. See specific option details or installation information. CSA Certified C/US; ANSI Z124.1 and ANSI 112.19.7 and ANSI 112.19.7		

IMPORTANT ORDERING & INSTALLATION INFORMATION

- Before ordering or installing, please consider future access to equipment.
- Includes an integrated overflow with toe tap drain in chrome finish. May be specified without an overflow (see local codes before ordering without an overflow).
- Air baths require job site preparation for remote installation of the blower and required check valve. Check valve must be installed higher than the rim of the tub.
- Waterproof remote control included with air bath. Keypad shipped loose may be remote mounted on nearby surface/wall.
- Faucet valves cannot be mounted on this tub model.

See the Installation & Operation Manual for more details.
MTI's Customer Service: Monday-Friday 8am-6pm EST
800-783-8827 or service@mtibaths.com

- Before discarding tub crate, check for accessories that may be packaged inside.
- All product measurements are ±1/2".
- Specifications and configurations are subject to change without notice.
- Measurements herein supersede all others published prior to publication date below.

For more information on options and accessories go to SculptureStone® Tubs Options on mtibaths.com

Lydia

MODEL #: 189

66" x 32" x 21.5"/22.5"

- Blower & required check valve for airbath must be remote mounted.
- Check valve must be installed higher than the rim of the tub.
- See the Installation & Operation Manual for more details.

Hydrotherapy	Package Contents	Part #	Bottom	Finish	MSRP
Soaker	Soaking bath - no jets. Includes an integrated slotted overflow with a toe-tap drain kit.	S189A	no pedestal	soft matte	\$8,840
		S189AGL	no pedestal	hand-polished gloss	\$10,015
		S189B	with pedestal	soft matte	\$8,840
		S189BGL	with pedestal	hand-polished gloss	\$10,015
Air Bath	20 air jets, heated air blower, keypad, waterproof remote control, integrated slotted overflow with a toe-tap drain kit.	AST189B	with pedestal	soft matte	\$14,380
		AST189BGL	with pedestal	hand-polished gloss	\$15,555

Options *Must be ordered at time of purchase*

Quick Ship (QSPRI2) **\$1,110** reduces lead time
Please call for availability

Standard Color White
Biscuit Color Upgrade (SSBI) **\$320**
Additional material colors available for projects only. Please call MTI.

Exterior Color \$1,905 (SSCOLTG) Gloss Finish (SSCOLTM) Matte Finish
Must specify color code:
Sapphire Blue (SB), Blue Lagoon (BL), Terracotta (TC),
Onyx (OX), Stratus Gray (TG), Stormgray (SG)
[Check mtibaths.com for current lead time](http://www.mtibaths.com)

Accessories

Teak Bath Mat (TKMAT3018) **\$880** Measures 30" x 17.5" x 1"
Custom sizes also available. Contact MTI for details.

SculptureStone® Tub Tray
No Stemware Holder (SSTRAY1) **\$370** matte (SSTRAY1GL) gloss **\$370**
With Stemware Holder (SSTRAY2) **\$490** matte (SSTRAY2GL) gloss **\$490**
Order with tub for best color match

Teak Tub Tray
Slatted (TK-TRAY1) **\$540** Solid (TK-TRAY2) **\$615**
Order with tub for best fit

SculptureStone® Tub Accessories
Packaging / Handling Fee Applies

SculptureStone® Bathroom Table (TABLE) **\$895** matte finish
(TABLEGL) **\$1,360** gloss finish
Order with tub for best color match

SculptureStone® Standard Faucet Stand

Small - 3-hole capacity 14¼" w x 20½" h	Large - 5-hole capacity 22" w x 21½" h
Matte (STAND) \$780	Matte (STANDL) \$925
Gloss (STANDGL) \$1,250	Gloss (STANDLGL) \$1,390

SculptureStone® Premium Faucet Stand

15" w x 39" h	10" w x 39" h
Matte (SSFSR3915MT) \$2,555	Matte (SSFSR3910MT) \$2,310
Gloss (SSFSR3915GL) \$2,940	Gloss (SSFSR3910GL) \$2,730
20" w x 23" h	15" w x 23" h
Matte (SSFSR2320MT) \$2,090	Matte (SSFSR2315MT) \$1,975
Gloss (SSFSR2320GL) \$2,505	Gloss (SSFSR2315GL) \$2,355

SculptureStone® Premium Component Stand

20" l x 22.5" h

Matte (SSPX1MT) **\$2,165**
Gloss (SSPX1GL) **\$2,855**

*Compatible with select tub models.
Go to www.mtibaths.com*

Drains & Overflow Kits *Must be ordered at time of purchase*

Toe Tap Drain Cover Finishes
PVC drain - Chrome included
+**\$55** upcharge Br. Nickel (WIOBN), Pol. Nickel (WIOPN)
+**\$95** upcharge Matte Black (WIOBM)
+**\$115** upcharge Oil-Rubbed Bronze* (WIOOR)
+**\$695** upcharge Special Finish* (WIOSF)
Send finish sample to MTI Baths for best match.

Toe Tap SculptureStone® Drain Cover Finishes
Upgrade is in lieu of standard chrome to tap drain cover.
White only
+**\$100** upcharge Matte Finish (SSWIOMT)
+**\$120** upcharge Gloss Finish (SSWIOGL)
Brass Tailpiece (WIOBS) **\$95** in addition to finish charge listed above
Quick Drain Kit (WOQ) **\$510**

* MTI has selected an oil-rubbed bronze finish that is compatible with Delta and many other manufacturers. To ensure best match, order as a Special Finish and submit a sample.
CSA # MTCT-189
©2025 by MTI Baths, Inc. Modification Rights Reserved

* Allow 2-4 weeks lead time for Special Finishes.
Send sample for best match.

