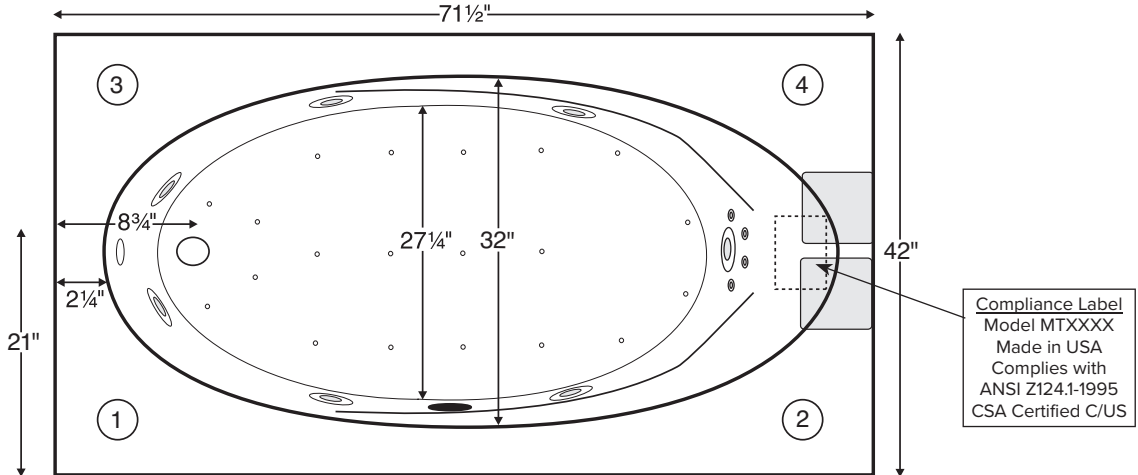


Seville 4

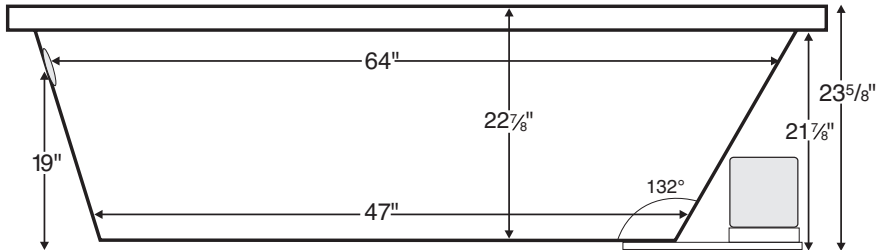
MODEL 18		
71.5" x 42" x 23.625"		
DROP-IN (cannot be undermounted) 101 gal to overflow		
<b>Acrylic CXL®</b>	<b>DoloMatte®</b>	
100 lbs / 45 kg	<SOAKER>	113 lbs / 51 kg
185 lbs / 84 kg	<PLUMBED>	198 lbs / 90 kg
Filling this tub to the maximum may require an above average size or dedicated water heater.		



Compliance Label  
Model MTXXXX  
Made in USA  
Complies with  
ANSI Z124.1-1995  
CSA Certified C/US

Numbered areas on tub deck represent possible locations to install cleaning systems, faucets and other fixtures.

Shown with Air Massage and Ultra Whirlpool Package.



**IMPORTANT:**  
Air baths and tubs with a pre-leveled foam base or frame system add 2-3" to overall tub height.

**IMPORTANT ORDERING & INSTALLATION INFORMATION**

- Before ordering or installing, please consider future access to equipment.
- Add proper bedding compound to fully level and support bottom of tub.
- When equipped with an air bath package, pre-leveled foam base or frame system, overall tub height is increased by approx. 2-3" and is designed to install on a flat, level subfloor.
- Radiance placed on airbath floor will affect placement of air jets.
- System components may extend beyond the perimeter of deck.
- Please measure tub **on-site** before building tub decking.
- Advise MTI when planning to use a glass enclosure. Relocation of controls may be necessary.
- Suction and control locations may vary.
- All tubs are compliant with ASTM C 1028-07 coefficient of friction. DoloMatte meets ANSI A137.1/ A326.3 coefficient of friction and AS HB198:2014 slip tests.

**ELECTRICAL COMPONENTS & SPECIFICATIONS**

Hydrotherapy Package	Components Included	GFCI / 110V
Standard Whirlpool	2-bhp pump	1-15 amp
Stream Bath	1/2-bhp, ozone	1-20 amp
Microbubbles	Microbubbles pump	1-15 amp
Ultra Whirlpool	3-bhp pump, inline heater, ozone	2-15 amp
Air Massage	heated blower	1-15 amp
Air Massage Elite	heated blower, chromatherapy	1-15 amp
Air Massage w/ Stream Bath	1/2-bhp pump, heated blower, ozone	1-20 amp
Air Massage Elite w/ Stream Bath	1/2-bhp pump, heated blower, chromatherapy, ozone	1-20 amp

Hydrotherapy Package	Components Included	GFCI / 110V
Microbubbles with Air	Microbubbles pump, heated blower	1-20 amp
Microbubbles with Air Elite	Microbubbles pump, heated blower, chromatherapy	2-15 amp
Air with Whirlpool	2-bhp pump, heated blower	2-15 amp
Air with Ultra Whirlpool	3-bhp pump, inline heater, heated blower, ozone	2-20 amp
Air Elite with Whirlpool	2-bhp pump, heated blower, chromatherapy	2-15 amp
Air Elite with Ultra Whirlpool	3-bhp pump, inline heater, heated blower, chromatherapy, ozone	2-20 amp

See the Installation & Operation Manual for more details.  
MTI's Customer Service Monday-Friday 8am-6pm EST  
800-783-8827 or service@mtibaths.com

- Before discarding tub crate, check for accessories that may be packaged inside.
- All product measurements are ±1/2".
- Specifications and configurations are subject to change without notice.
- Measurements herein supersede all others published prior to publication date below.



Seville 4

MODEL 18

71.5" x 42" x 23.625"

- Aromatherapy is eliminated for undermount applications
- Air Baths, Pre-Levelled Foam Base or Frame Systems increase overall height by 2-3".

Hydrotherapy Packages	Package Contents	Acrylic CXL®		DoloMatte®	
		Part #	MSRP	Part #	MSRP
Soaker	Soaking bath - no jets	S18	\$2,710	S18DM	\$3,290
Stream Bath	6 side vents, 2 end vents, 1/2 bhp pump, Ozone	SM18	\$5,185	SM18DM	\$5,770
Microbubbles	1 microbubbles infusion port and pump	M18	\$5,945	M18DM	\$6,525
Air Massage	20 air jets, heated air blower, Aromatherapy, pre-leveled foam base	AST18	\$6,265	AST18DM	\$6,845
Air Massage Elite	30 air jets, heated air blower, Aromatherapy, Chromatherapy LED lighting, Spa Mode, pre-leveled foam base	AE18	\$8,110	AE18DM	\$8,695
Stream Bath with Air Massage	6 side vents, 2 end vents, 1/2 bhp pump, Ozone, 20 air jets, heated air blower, Aromatherapy, pre-leveled foam base	ASTSM18	\$8,255	ASTSM18DM	\$8,835
Stream Bath with Air Massage Elite	6 side vents, 2 end vents, 1/2 bhp pump, Ozone, 30 air jets, heated air blower, Aromatherapy, Chromatherapy LED lighting, Spa Mode, pre-leveled foam base	AESM18	\$10,295	AESM18DM	\$10,880
Microbubbles with Air Massage	1 microbubbles infusion port and pump, 20 air jets, heated air blower, Aromatherapy, pre-leveled foam base	ASTM18	\$8,910	ASTM18DM	\$9,490
Microbubbles with Air Massage Elite	1 microbubbles infusion port and pump, 30 air jets, heated air blower, Aromatherapy, Chromatherapy LED lighting, Spa Mode, pre-leveled foam base	AEM18	\$10,665	AEM18DM	\$11,245
Standard Whirlpool	5 point-massage jets, 2-bhp pump	P18	\$5,015	P18DM	\$5,595
Ultra Whirlpool	7 point-massage jets, 4 micro jets, 3 bhp pump, inline heater, Ozone	P18U	\$6,955	P18UDM	\$7,540
Air Massage with Standard Whirlpool	5 point-massage jets, 2-bhp pump, 20 air jets, heated air blower, Aromatherapy, pre-leveled foam base	AW18	\$8,565	AW18DM	\$9,145
Air Massage with Ultra Whirlpool	7 point-massage jets, 4 micro jets, 3 bhp pump, inline heater, Ozone, 20 air jets, heated air blower, Aromatherapy, pre-leveled foam base	AU18	\$10,505	AU18DM	\$11,090
Air Massage Elite with Standard Whirlpool	5 point-massage jets, 2-bhp pump, 30 air jets, heated air blower, Aromatherapy, Chromatherapy LED lighting, Spa Mode, pre-leveled foam base	AEAP18	\$10,415	AEAP18DM	\$11,000
Air Massage Elite with Ultra Whirlpool	7 point-massage jets, 4 micro jets, 3 bhp pump, inline heater, Ozone, 30 air jets, heated air blower, Aromatherapy, Chromatherapy LED lighting, Spa Mode, pre-leveled foam base	AEAP18U	\$11,480	AEAP18UDM	\$12,065

RECOMMENDED SENSORY THERAPIES

**Chromatherapy**

(LE) **\$880** underwater lighting  
2 LED lights included

**Audiotherapy**

(STEREOBT) **\$1,535** 2 transducers with bluetooth and amplifier  
(BTREMOTE) **\$660** bluetooth remote  
(STEREOH202) **\$1,740** 4 transducers amplifier not included

**Thermaltherapy**

(RAD100) **\$1,760** Radiance®  
2 heated zones included  
(HTISOAK) **\$910**



For more information on options and accessories go to Acrylic Tub Options at mtibaths.com

<b>Options</b> <i>Must be ordered at time of purchase.</i>
<b>Standard Colors</b> White (CWH) DoloMatte available in matte white only. Biscuit (CBS) Not available for DoloMatte.
<b>Quick Ship</b> reduces lead time (QSPRI) <b>\$475</b> <i>Please call for availability</i>
<b>Inline Heater</b> maintains water temperature <b>For Soaker or Air Baths (HTISOAK) \$910</b> Includes a recirculating pump <i>Cannot be combined with Microbubbles.</i>
<b>Virtual Spout</b> high-flow integrated tub filler (FPMJ) <b>\$500</b> <i>Virtual Spout location is left of the overflow, unless otherwise specified on order.</i>
<b>Grab Bars</b> from <b>\$360</b> <i>Selections vary. Personalization available.</i>
<b>Textured Bottom</b> (TXTBTM) Acrylic CXL® only <b>\$115</b> DoloMatte® exceeds ANSI A137.1/A326.3 and AS HB198 slip tests.
<b>Accessories</b>
<b>Pillows</b> from <b>\$200</b>
<b>Teak Bath Mat</b> (TKMAT3018) <b>\$880</b> <i>Custom sizes also available. Contact MTI for details and pricing.</i>

<b>Hydrotherapy Equipment &amp; Cleaning Systems</b> <i>Must be ordered at time of purchase.</i>
<b>Inline Heater</b> maintains water temperature <b>For Whirlpools or Stream Bath (HTI) \$630</b> Uses existing pump <i>Cannot be combined with Microbubbles.</i>
<b>Whirlpool Cleaning System</b> <b>Fill-Flush (FFSO) \$650</b> <i>Must specify stub-out location on order. See page 1 for location options.</i>
<b>Whirlpool Jets</b> Pump upgrade may be advisable for optimal performance when adding jets. <b>Point-Massage Jet</b> Extra Point-Massage Jet (EJ) <b>\$345</b> <b>Micro-Jet</b> from <b>\$400</b> <i>Jet styles and packages vary. Personalization available.</i>
<b>Pump Upgrade</b> - 3-bhp (PUMP3) <b>\$345</b>
<b>Jet Trim Kits</b> <b>For Standard Whirlpool</b> Chrome (TRC) <b>\$300</b> , Brushed Nickel (TRBN) <b>\$800</b> <b>For Ultra Whirlpool</b> Chrome (TRCU) <b>\$410</b> , Brushed Nickel (TRBNU) <b>\$1,060</b>
<b>Ozonator</b> (OZONE) <b>\$565</b> <i>Cannot be added to soakers or airbaths without combination hydrotherapy package or HTISOAK.</i>

**Installation Options** *Must be ordered at time of purchase.*

<b>Pre-Levelled Foam Base</b> (PLFOAM) <b>\$325</b> All airbaths include a pre-levelled foam base.
<b>Pre-Levelled Frame and Foam Base</b> (PLF) <b>\$815</b>

<b>Tile Flange</b> <b>Factory-Installed on 3 sides</b> - rigid ABS (TFK3) <b>\$220</b> <b>Field Install Kit</b> - includes rigid ABS & adhesive (TFKN) <b>\$205</b> <b>IMPORTANT:</b> <i>Must specify flange location(s) on order of Factory-Installed Flange. Not available with optional Low-Profile Rim.</i>
--

**Drains & Overflow Kits**

<b>Cable Driven</b> <b>Drain Finishes</b> – PVC Drain Kit White/Bone/Biscuit (WOCDW) <b>\$485</b> Chrome (W OCD) <b>\$450</b> Brushed Nickel (WOCDBN) <b>\$540</b> Polished Nickel (WOCDPN) <b>\$595</b> Oil-Rubbed Bronze* (WOC DOR) <b>\$610</b> Polished Brass (WOCDBR) <b>\$760</b> Special Finishes* (WOCDSF) <b>\$1,250</b> <i>MTI does not offer a brass body cable drain kit.</i>
<b>Lift &amp; Turn</b> <b>Drain Finishes</b> – PVC Drain Kit Chrome (WOC) <b>\$205</b> White (WOW) <b>\$270</b> Brushed Nickel (WOBN) <b>\$335</b>

<b>Toe Tap</b> <b>Round Overflow</b> – PVC Drain Kit Chrome (WOTTC) <b>\$420</b> Brushed Nickel (WOTTBN) <b>\$425</b> Polished Nickel (WOTTPN) <b>\$425</b> Special Finishes* (WOTT SF) <b>\$1,260</b> <b>Round Overflow</b> – Solid Brass Drain Chrome (WOTTSBC) <b>\$895</b> Brushed Nickel (WOTTSBBN) <b>\$895</b> Polished Nickel (WOTTSBPN) <b>\$895</b>
--

\* MTI has selected an oil-rubbed bronze finish that is compatible with Delta and many other manufacturers. To ensure best match, order as a Special Finish and submit a sample.

\* Allow 2-4 weeks lead time for Special Finishes. Send sample for best match.