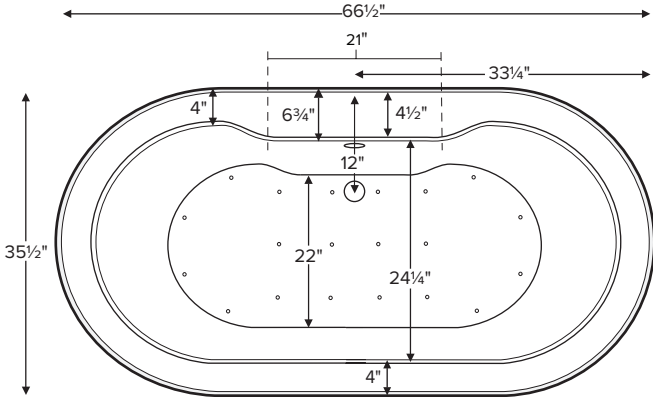


Melinda 8

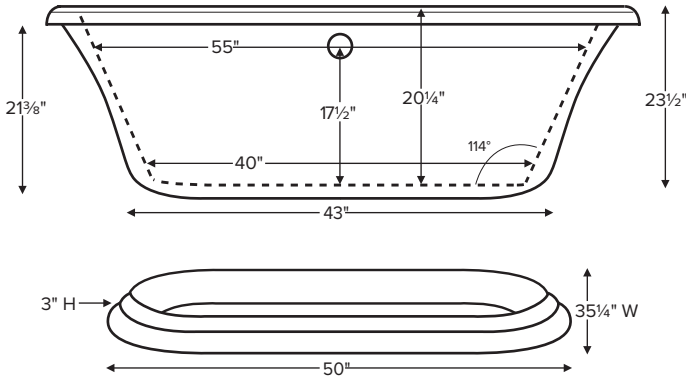


MODEL 191	
66.5" x 35.5" x 23.5" Optional pedestal: 50" x 35.25" x 3"	
FREESTANDING 81 gal to overflow	
<b>Acrylic CXL®</b>	<b>DoloMatte®</b>
121 lbs / 55 kg	<SOAKER> 136 lbs / 62 kg
Filling this tub to the maximum may require an above average size or dedicated water heater.	



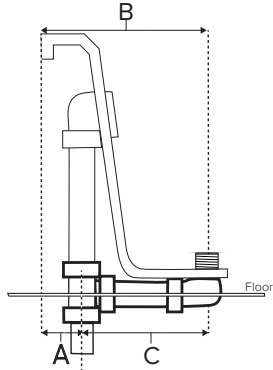
The Melinda 8 features a 4.5"-wide flat deck on the drain side for mounting faucetry.

Shown with Air Massage Package.



Drain Rough-In Measurements

A	B	C
6 3/4"	12"	5 1/4"



ELECTRICAL COMPONENTS & SPECIFICATIONS

Hydrotherapy Package	Components Included	110V GFCI
Air Massage	heated blower	1-15 amp
Air Massage Elite	heated blower, chromatherapy	1-15 amp

Electrical requirements may change with the addition of optional therapy components.  
See specific option details or installation information.  
CSA Certified C/US; B45.5/IAPMO ANSI Z124.1 and ANSI 112.19.7

See the Installation & Operation Manual for more details.  
MTI's Customer Service: Monday-Friday 8am-6pm EST  
800-783-8827 or service@mtibaths.com

IMPORTANT ORDERING & INSTALLATION INFORMATION:

- Before ordering or installing, please consider future access to equipment.
- This tub comes equipped with an access panel to facilitate installation of valves and the waste and overflow.
- Optional pedestal ring does not increase the height of the tub.
- Air baths require job site preparations for remote mounting the blower.
- Hydrotherapy equipment may ship loose for remote installation depending on tub model. See package content on the following page for details.
- MTI will eliminate the access panel upon request. Installation will be more difficult.
- Radiance placed on floor locations will affect placement of air jets.
- All tubs are in accordance with CSA B45.5/IAPMO Z124 standard and compliant with ASTM C 1028-07 coefficient of friction. DoloMatte meets ANSI A137.1/A326.3 coefficient of friction and AS HB198:2014 pendulum slip resistance testing.

• Before discarding tub packaging, check for accessories that may be packaged inside.  
• All product measurements are ±1/2".  
• Specifications and configurations are subject to change without notice.  
• Measurements herein supersede all others published prior to publication date below.

Melinda 8

MODEL 191

66.5" x 35.5" x 23.5"

Hydrotherapy Packages	Package Contents	Acrylic CXL®		DoloMatte®	
		Part #	MSRP	Part #	MSRP
Soaker	Soaking bath - no jets; includes a pre-leveled foam base.	S191A	\$6,145	S191ADM	\$6,920
		With pedestal S191B	\$7,380	With pedestal S191BDM	\$8,260
Air Massage	20 air jets, heated air blower, pre-leveled foam base. Blower and control boxes must be remote located.	AST191A	\$9,695	AST191ADM	\$10,475
		With pedestal AST191B	\$10,935	With pedestal AST191BDM	\$11,815
Air Massage Elite	30 air jets, heated air blower, Chromatherapy LED lighting, Spa Mode, pre-leveled foam base. Blower and control boxes must be remote located.	AE191A	\$11,545	AE191ADM	\$12,320
		With pedestal AE191B	\$12,785	With pedestal AE191BDM	\$13,660

RECOMMENDED SENSORY THERAPIES

**Chromatherapy**

(LE) **\$880** underwater lighting  
2 LED lights included

**Audiotherapy**

(STEREOBT) **\$1,535** 2 transducers  
with bluetooth and amplifier  
(BTREMOTE) **\$660** bluetooth remote

(STEREOH202) **\$1,740** 4 transducers  
amplifier not included

**Thermaltherapy**

(RAD100) **\$1,760** Radiance®  
2 heated zones included

Options <i>Must be ordered at time of purchase</i>
<b>Standard Colors</b> White (CWH) DoloMatte available in matte white only. Biscuit (CBS) Not available for DoloMatte.
<b>Quick Ship</b> reduces lead time (QSPRI) <b>\$475</b> <i>Please call for availability</i>
<b>Textured Bottom</b> (TXTBTM) Acrylic CXL® only <b>\$115</b> DoloMatte® exceeds ANSI A137.1/A326.3 and AS HB198 slip tests.
<b>Virtual Spout</b> high-flow integrated tub filler (FPMJ) <b>\$500</b>
<b>Grab Bars</b> from <b>\$360</b> (1 set of 2) Grab bars are factory-installed to the left and right of the overflow. Go to Acrylic Tub Options on <a href="http://mtibaths.com">mtibaths.com</a> for details before ordering. <i>Color and finish selections vary.</i>
<b>Decorative Towel Bar</b> Chrome (CHTOWEL) <b>\$600</b> , Brushed Nickel (BNTOWEL) <b>\$600</b>

Accessories
<b>Pillows</b> from <b>\$200</b>
<b>Teak Bath Mat</b> (TKMAT3018) <b>\$880</b> <i>Custom sizes also available. Contact MTI for details and pricing.</i>

Melinda 8

MODEL 191

66.5" x 35.5" x 23.5"

**Cable Driven**

Turn the overflow knob clockwise to open the drain, then counterclockwise to close the drain.



- Drain Finishes - PVC Drain Kit**  
 White/Bone/Biscuit (WOCDW) **\$485**  
 Chrome (W OCD) **\$450**  
 Brushed Nickel (WOCDBN) **\$540**  
 Polished Nickel (WOCDPN) **\$595**  
 Oil-Rubbed Bronze<sup>†</sup> (WOCBOR) **\$610**  
 Polished Brass (WOCDBR) **\$760**  
 Special Finishes\* (WOCDSF) **\$1,250**

MTI does not offer a brass body cable drain kit.

**Lift & Turn**

Simple lift & turn to open. Lift, turn & release to close.



- Drain Finishes - PVC Drain Kit**  
 Chrome (WOC) **\$205**  
 White (WOW) **\$270**  
 Brushed Nickel (WOBN) **\$335**

**Toe Tap** Push down on drain cover to open and close.



- Round Overflow - PVC Drain Kit**  
 Chrome (WOTTC) **\$420**  
 Brushed Nickel (WOTTBN) **\$425**  
 Polished Nickel (WOTTPN) **\$425**  
 Special Finishes\* (WOTTSF) **\$1,260**



- Round Overflow - Solid Brass Drain**  
 Chrome (WOTTSBC) **\$895**  
 Brushed Nickel (WOTTSBBN) **\$895**  
 Polished Nickel (WOTTSBPN) **\$895**



- Rectangular Overflow - PVC Drain Kit**  
 Chrome (WOTRC) **\$520**  
 Brushed Nickel (WOTRBN) **\$475**  
 White (WOTRW) **\$580**

Rectangular Overflow kit must be specified when the tub is ordered.

**Slim-Line Overflow with Toe Tap Drain**

Sleek low profile overflow is factory-installed • Overflow measures 4.5" x 1"  
 Provides a deeper soak • Not available for commercial applications



**Must be specified when the tub is ordered.**  
**Available for select MTI Solutions Collection tubs only.**

**Slim-Line Overflow with Toe-Tap PVC Drain**

- Chrome (SLOTC) **\$550**  
 Brushed Nickel (SLOTBN) **\$585**  
 Polished Nickel (SLOTPN) **\$615**  
 White (SLOTW) **\$475**



**Slim-Line Overflow with Toe-Tap Solid Brass Drain**

- Chrome (SLOTSBC) **\$1,025**  
 Brushed Nickel (SLOTSBBN) **\$1,030**  
 Polished Nickel (SLOTSBPN) **\$1,030**  
 White (SLOTSBW) **\$1,065**

See individual tub specification sheets for availability.

\* Allow 2-4 weeks lead time for Special Finishes. Send sample for best match.

<sup>†</sup>Oil Rubbed Bronze finishes vary among manufacturers. MTI has selected a finish that is compatible with many available. To ensure best match, order as a Special Finish and submit a sample.

**NOTE:**

MTI does not warrant drain kits or finishes, though drain kits may carry a direct factory warranty from the manufacturer. Proper drain installation is the responsibility of the installer. MTI's tub warranty does not cover drain leakage.