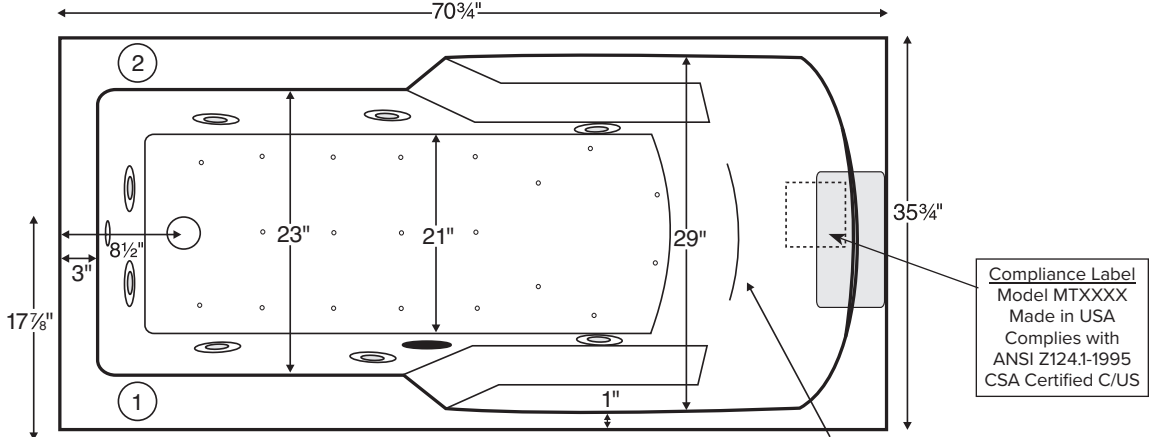


Wyndham 4



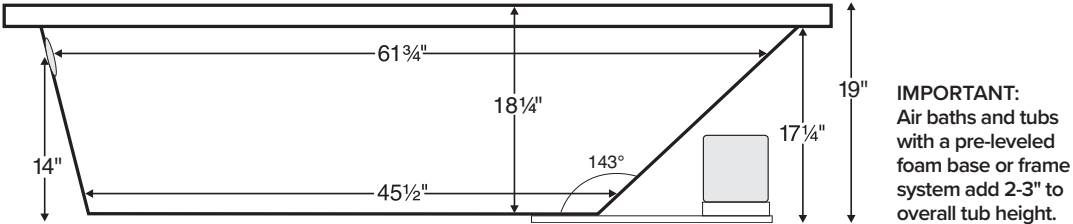
Wyndham 4 features integral armrests

MODEL 19		
70.75" x 35.75" x 19"		
DROP-IN (cannot be undermounted) 65 gal to overflow		
Acrylic CXL®	DoloMatte®	
100 lbs / 45 kg	<SOAKER>	113 lbs / 51 kg
125 lbs / 57 kg	<PLUMBED>	138 lbs / 63 kg
Filling this tub to the maximum may require an above average size or dedicated water heater.		



Due to the incline of the backrest, jets are not available in this area.

Numbered areas on tub deck represent possible locations to install cleaning systems, faucets and other fixtures.
Shown with Air Massage and Ultra Whirlpool Package.



IMPORTANT ORDERING & INSTALLATION INFORMATION

- Before ordering or installing, please consider future access to equipment.
- Add proper bedding compound to fully level and support bottom of tub.
- When equipped with an air bath package, pre-leveled foam base or frame system, overall tub height is increased by approx. 2-3" and is designed to install on a flat, level subfloor.
- Radiance placed on airbath floor will affect placement of air jets.
- System components may extend beyond the perimeter of deck.
- Please measure tub **on-site** before building tub decking.
- Advise MTI when planning to use a glass enclosure. Relocation of controls may be necessary.
- Suction and control locations may vary.
- All tubs are compliant with ASTM C 1028-07 coefficient of friction. DoloMatte meets ANSI A137.1/ A326.3 coefficient of friction and AS HB198:2014 slip tests.

ELECTRICAL COMPONENTS & SPECIFICATIONS

Hydrotherapy Package	Components Included	GFCI / 110V
Standard Whirlpool	2-bhp pump	1-15 amp
Stream Bath	½-bhp, ozone	1-20 amp
Microbubbles	Microbubbles pump	1-15 amp
Ultra Whirlpool	3-bhp pump, inline heater, ozone	2-15 amp
Air Massage	heated blower	1-15 amp
Air Massage Elite	heated blower, chromatherapy	1-15 amp
Air Massage w/ Stream Bath	½-bhp pump, heated blower, ozone	1-20 amp
Air Massage Elite w/ Stream Bath	½-bhp pump, heated blower, chromatherapy, ozone	1-20 amp

Hydrotherapy Package	Components Included	GFCI / 110V
Microbubbles with Air	Microbubbles pump, heated blower	1-20 amp
Microbubbles with Air Elite	Microbubbles pump, heated blower, chromatherapy	2-15 amp
Air with Whirlpool	2-bhp pump, heated blower	2-15 amp
Air with Ultra Whirlpool	3-bhp pump, inline heater, heated blower, ozone	2-20 amp
Air Elite with Whirlpool	2-bhp pump, heated blower, chromatherapy	2-15 amp
Air Elite with Ultra Whirlpool	3-bhp pump, inline heater, heated blower, chromatherapy, ozone	2-20 amp

See the Installation & Operation Manual for more details.
MTI's Customer Service Monday-Friday 8am-6pm EST
800-783-8827 or service@mtibaths.com

- Before discarding tub crate, check for accessories that may be packaged inside.
- All product measurements are ±1/2".
- Specifications and configurations are subject to change without notice.
- Measurements herein supersede all others published prior to publication date below.



Wyndham 4

MODEL 19

70.75" x 35.75" x 19"

- Aromatherapy is eliminated for undermount applications
- Air Baths, Pre-Levelled Foam Base or Frame Systems increase overall height by 2-3".

Hydrotherapy Packages	Package Contents	Acrylic CXL®		DoloMatte®	
		Part #	MSRP	Part #	MSRP
Soaker	Soaking bath - no jets	S19	\$2,615	S19DM	\$3,195
Stream Bath	6 side vents, 2 end vents, 1/2 bhp pump, Ozone	SM19	\$5,095	SM19DM	\$5,675
Microbubbles	1 microbubbles infusion port and pump	M19	\$5,850	M19DM	\$6,430
Air Massage	20 air jets, heated air blower, Aromatherapy, pre-levelled foam base	AST19	\$6,170	AST19DM	\$6,750
Air Massage Elite	30 air jets, heated air blower, Aromatherapy, Chromatherapy LED lighting, Spa Mode, pre-levelled foam base	AE19	\$8,015	AE19DM	\$8,600
Stream Bath with Air Massage	6 side vents, 2 end vents, 1/2 bhp pump, Ozone, 20 air jets, heated air blower, Aromatherapy, pre-levelled foam base	ASTSM19	\$8,160	ASTSM19DM	\$8,740
Stream Bath with Air Massage Elite	6 side vents, 2 end vents, 1/2 bhp pump, Ozone, 30 air jets, heated air blower, Aromatherapy, Chromatherapy LED lighting, Spa Mode, pre-levelled foam base	AESM19	\$10,200	AESM19DM	\$10,785
Microbubbles with Air Massage	1 microbubbles infusion port and pump, 20 air jets, heated air blower, Aromatherapy, pre-levelled foam base	ASTM19	\$8,815	ASTM19DM	\$9,400
Microbubbles with Air Massage Elite	1 microbubbles infusion port and pump, 30 air jets, heated air blower, Aromatherapy, Chromatherapy LED lighting, Spa Mode, pre-levelled foam base	AEM19	\$10,570	AEM19DM	\$11,150
Standard Whirlpool	6 point-massage jets, 2-bhp pump	P19	\$4,920	P19DM	\$5,500
Ultra Whirlpool	8 point-massage jets, 3-bhp pump, inline heater, Ozone	P19U	\$6,860	P19UDM	\$7,445
Air Massage with Standard Whirlpool	6 point-massage jets, 2-bhp pump, 20 air jets, heated air blower, Aromatherapy, pre-levelled foam base	AW19	\$8,470	AW19DM	\$9,050
Air Massage with Ultra Whirlpool	8 point-massage jets, 3-bhp pump, inline heater, 20 air jets, heated air blower, Aromatherapy, Ozone, pre-levelled foam base	AU19	\$10,410	AU19DM	\$10,995
Air Massage Elite with Standard Whirlpool	6 point-massage jets, 2-bhp pump, 30 air jets, heated air blower, Aromatherapy, Chromatherapy LED lighting, Spa Mode, pre-levelled foam base	AEAP19	\$10,320	AEAP19DM	\$10,905
Air Massage Elite with Ultra Whirlpool	8 point-massage jets, 3-bhp pump, inline heater, 30 air jets, heated air blower, Aromatherapy, Ozone, Chromatherapy LED lighting, Spa Mode, pre-levelled foam base	AEAP19U	\$11,385	AEAP19UDM	\$11,970

RECOMMENDED SENSORY THERAPIES

Chromatherapy

(LE) **\$880** underwater lighting
2 LED lights included

Audiotherapy

(STEREOBT) **\$1,535** 2 transducers with bluetooth and amplifier
(BTREMOTE) **\$660** bluetooth remote
(STEREOH202) **\$1,740** 4 transducers amplifier not included

Thermaltherapy

(RAD100) **\$1,760** Radiance®
2 heated zones included
(HTISOAK) **\$910**



For more information on options and accessories go to Acrylic Tub Options at mtibaths.com

Options <i>Must be ordered at time of purchase.</i>
Standard Colors White (CWH) DoloMatte available in matte white only. Biscuit (CBS) Not available for DoloMatte.
Quick Ship reduces lead time (QSPRI) \$475 <i>Please call for availability</i>
Inline Heater maintains water temperature For Soaker or Air Baths (HTISOAK) \$910 Includes a recirculating pump <i>Cannot be combined with Microbubbles.</i>
Virtual Spout high-flow integrated tub filler (FPMJ) \$500 <i>Virtual Spout location is left of the overflow, unless otherwise specified on order.</i>
Grab Bars from \$360 <i>Selections vary. Personalization available.</i>
Textured Bottom (TXTBTM) Acrylic CXL® only \$115 DoloMatte® exceeds ANSI A1371/A326.3 and AS HB198 slip tests.
Accessories
Pillows from \$200
Teak Bath Mat (TKMAT3018) \$880 <i>Custom sizes also available. Contact MTI for details and pricing.</i>
Teak Tub Tray Slatted (TK-TRAY1) \$540 Solid (TK-TRAY2) \$615

Hydrotherapy Equipment & Cleaning Systems <i>Must be ordered at time of purchase.</i>
Inline Heater maintains water temperature For Whirlpools or Stream Bath (HTI) \$630 Uses existing pump <i>Cannot be combined with Microbubbles.</i>
Whirlpool Cleaning System Fill-Flush (FFSO) \$650 <i>Must specify stub-out location on order. See page 1 for location options.</i>
Whirlpool Jets Pump upgrade may be advisable for optimal performance when adding jets. Point-Massage Jet Extra Point-Massage Jet (EJ) \$345 Micro-Jet from \$400 <i>Jet styles and packages vary. Personalization available.</i>
Pump Upgrade - 3-bhp (PUMP3) \$345
Jet Trim Kits For Standard Whirlpool Chrome (TRC) \$300 , Brushed Nickel (TRBN) \$800 For Ultra Whirlpool Chrome (TRCU) \$410 , Brushed Nickel (TRBNU) \$1,060
Ozonator (OZONE) \$565 <i>Cannot be added to soakers or airbaths without combination hydrotherapy package or HTISOAK.</i>

Installation Options *Must be ordered at time of purchase.*

Pre-Leveled Foam Base (PLFOAM) \$325 All airbaths include a pre-leveled foam base.	Tile Flange Factory-Installed on 3 sides - rigid ABS (TFK3) \$220 Field Install Kit - includes rigid ABS & adhesive (TFKNI) \$205 IMPORTANT: <i>Must specify flange location(s) on order of Factory-Installed Flange. Not available with optional Low-Profile Rim.</i>
Pre-Leveled Frame and Foam Base (PLF) \$815	

Drains & Overflow Kits *Toe Tap Rectangular Overflow must be ordered at time of purchase*

Cable Driven Drain Finishes – PVC Drain Kit White/Biscuit (WOCDW) \$485 Chrome (WOC) \$450 Brushed Nickel (WOCDBN) \$540 Polished Nickel (WOCDPN) \$595 Oil-Rubbed Bronze† (WOCBOR) \$610 Polished Brass (WOCDBR) \$760 Special Finishes* (WOCDSF) \$1,250 <i>MTI does not offer a brass body cable drain kit.</i>	Toe Tap Round Overflow – PVC Drain Kit Chrome (WOTTC) \$420 Brushed Nickel (WOTTBN) \$425 Polished Nickel (WOTTPN) \$425 Special Finishes* (WOTTSF) \$1,260 Round Overflow – Solid Brass Drain Chrome (WOTTSBC) \$895 Brushed Nickel (WOTTSBBN) \$895 Polished Nickel (WOTTSBPN) \$895	Toe Tap Rectangular Overflow – PVC Drain Kit Chrome (WOTRC) \$520 Brushed Nickel (WOTRBN) \$475 White (WOTRW) \$580 Lift & Turn Drain Finishes – PVC Drain Kit Chrome (WOC) \$205 White (WOW) \$270 Brushed Nickel (WOBN) \$335
--	---	--

Slim-Line Overflow with Toe Tap Drain *Must be ordered at time of purchase.*

<ul style="list-style-type: none"> • Low profile overflow is factory installed • Overflow measures 4.5" x 1" • Provides a deeper soak • Not available for commercial applications 	Slim-Line Overflow with Toe Tap Drain PVC Drain Chrome (SLOT) \$550 Brushed Nickel (SLOTBN) \$585 Polished Nickel (SLOTPN) \$615 White (SLOTW) \$475	Slim-Line Overflow with Toe Tap Drain Solid Brass Drain Chrome (SLOTSBC) \$1,025 Brushed Nickel (SLOTSBBN) \$1,030 Polished Nickel (SLOTSBPN) \$1,030 White (SLOTSBW) \$1,065
---	--	---

† MTI has selected an oil-rubbed bronze finish that is compatible with Delta and many other manufacturers. To ensure best match, order as a Special Finish and submit a sample.

* Allow 2-4 weeks lead time for Special Finishes. Send sample for best match.