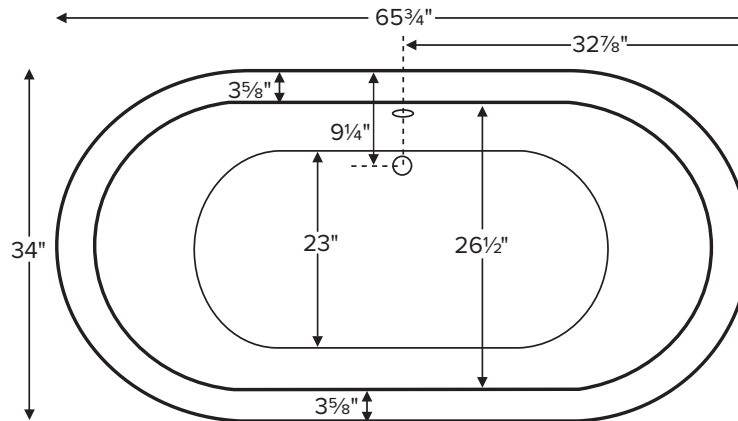


Melinda 10



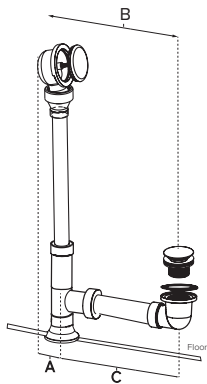
Melinda 10 is a Clawfoot tub.
Shown above with feet powder-coated in white.
(white is available for an upcharge)

MODEL 204	
65.75" x 34" x 24"	
FREESTANDING 80 gal to overflow	
Acrylic CXL®	DoloMatte®
140 lbs / 64 kg	<SOAKER> 158 lbs / 72 kg
Filling this tub to the maximum may require an above average size or dedicated water heater.	

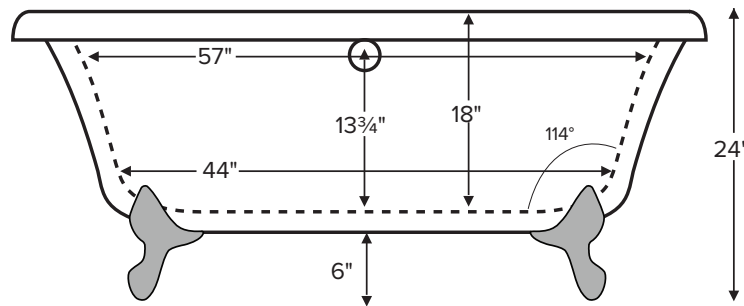


Drain Rough-In Measurements

A	B	C
1 3/4"	9 1/4"	7 1/2"



Requires use of a wall-mounted or freestanding tub filler.



See the MTI 800-783-8827 Photo of drain installation

CSA Certified C/US; ANSI Z124.1

See the Installation & Operation Manual for more details.

MTI's Customer Service:
Monday-Friday 8am-6pm EST
800-783-8827 or service@mtibaths.com

Manual for more details.
y-Friday 8am-6pm EST
aths.com

- Before discarding tub packaging, check for accessories that may be packaged inside.
- All product measurements are ±1/2".
- Specifications and configurations are subject to change without notice.
- Measurements herein supersede all others published prior to publication date below.

IMPORTANT ORDERING & INSTALLATION INFORMATION

- Drain kit sold separately. MTI's decorative exposed drain kit is recommended to ensure a perfect fit.
- Faucet valves cannot be installed on this tub model.
- Solid brass ball and claw-design feet are standard in chrome or brushed nickel finish.
- Feet are available powder-coated in white for an upcharge.
- Additional powder-coated colors are also available, for an upcharge, and require an extended lead time. Availability based on the universal RAL color chart, see ralcolor.com. Please provide RAL color code on order
- MTI's decorative exposed drain kit is recommended to ensure a perfect fit.
- Specifications and configurations are subject to change without notice.
- Measurements are ±1/2" and are subject to change without notice.
- Measurements herein supersede all others published prior to publication date shown below.

Melinda 10
MODEL 204
65.75" x 34" x 24"

Hydrotherapy Packages	Package Contents	Acrylic CXL®		DoloMatte®	
		Part #	MSRP	Part #	MSRP
Soaker	Soaking bath - no jets; clawfoot tub.	S204	\$6,625	S204DM	\$7,405

Options <i>Must be ordered at time of purchase</i>
Standard Colors White (CWH) DoloMatte available in matte white only. Biscuit (CBS) Not available for DoloMatte.
Quick Ship reduces lead time (QSPRI) \$475 <i>Please call for availability</i>
Textured Bottom (TXTBTM) Acrylic CXL® only \$115 DoloMatte® exceeds ANSI A137.1/A326.3 and AS HB198 slip tests.

Clawfoot Color Options
<ul style="list-style-type: none"> • Chrome (CLAWC), Brushed Nickel (CLAWBN) no charge • Powder Coated White upcharge (CLAWWH) \$1,280 • Additional Powder Coated Colors upcharge (CLAWSF) \$2,365 Availability based on the universal RAL color chart see ralcolor.com. Please provide RAL color code on order
Drain Kit - Toe Tap Design with Decorative Exposed Piping
<ul style="list-style-type: none"> • Chrome (DKSSCS) \$985 • Brushed Nickel (DKSSBNS) \$1,090

Accessories		
Pillows from \$200		
Teak Bath Mat (TKMAT3018) \$880 <i>Custom sizes also available. Contact MTI for details and pricing.</i>		
Floor-Mounted High-Flow Tub Filler Traditional Brushed Nickel (FILLTBN) \$1,885		
Faucet Stand SculptureStone® Standard		
<table border="0"> <tr> <td>Small 3-hole capacity 14¼" w x 21¾" h Matte (STAND) \$780</td> <td>Large 5-hole capacity 22" w x 21¾" h Matte (STANDL) \$925</td> </tr> </table>	Small 3-hole capacity 14¼" w x 21¾" h Matte (STAND) \$780	Large 5-hole capacity 22" w x 21¾" h Matte (STANDL) \$925
Small 3-hole capacity 14¼" w x 21¾" h Matte (STAND) \$780	Large 5-hole capacity 22" w x 21¾" h Matte (STANDL) \$925	