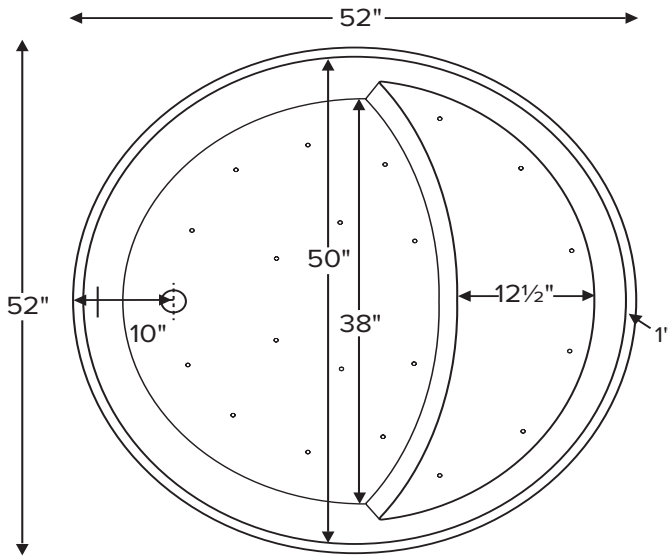


Halo



Features an integrated overflow.

MODEL 211
<b>211R</b> 52" x 52" x 26" <b>211F</b> 52" x 52" x 25"
FREESTANDING 121 gal to overflow
<b>SculptureStone®</b>
364 lbs / 165 kg soaker 394 lbs / 179 kg airbath
Flat rim version may be undermounted. Not recommended as a tub / shower combination. Rolled rim version cannot be undermounted. Filling this tub to the maximum may require an above average size or dedicated water heater.



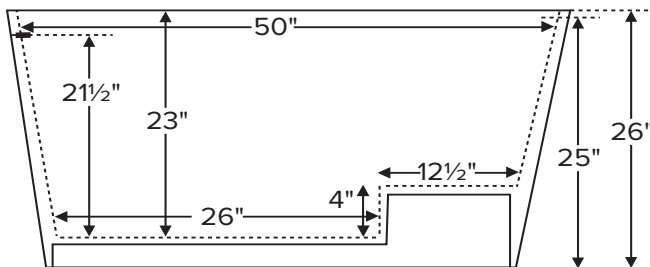
Halo is available with a rolled or flat rim.  
Tub height will vary based upon features selected.



rolled rim



flat rim  
(reduces overall height by 1")



**Note:** Overall tub height with rolled rim is 26". Flat rim reduces overall tub height to 25".

**Part numbers for either selection are listed on the following page.**

ELECTRICAL COMPONENTS & SPECIFICATIONS		
Required Electrical Service - 110 Volt		
Hydrotherapy Package	Components Included	GFCI
Air Massage	heated blower	1-15 amp

Electrical requirements may change with the addition of optional therapy components. See specific option details or installation information.  
CSA Certified C/US; ANSI Z124.1 and ANSI 112.19.7 and ANSI 112.19.7

See the Installation & Operation Manual for more details.  
MTI's Customer Service: Monday-Friday 8am-6pm EST  
800-783-8827 or service@mtibaths.com

**IMPORTANT ORDERING & INSTALLATION INFORMATION**

- Before ordering or installing, please consider future access to equipment.
- Includes an integrated overflow with toe tap drain in chrome finish. May be specified without an overflow (see local codes before ordering without an overflow).
- Air baths require job site preparation for remote installation of the blower and required check valve. Check valve must be installed higher than the rim of the tub.
- Waterproof remote control included with air bath. Keypad shipped loose may be remote mounted on nearby surface/wall.
- Faucet valves cannot be mounted on this tub model.

- Before discarding tub crate, check for accessories that may be packaged inside.
- All product measurements are ±1/2".
- Specifications and configurations are subject to change without notice.
- Measurements herein supersede all others published prior to publication date below.

For more information on options and accessories go to SculptureStone® Tubs Options on mtibaths.com

Halo

MODEL #: 211

211R 52" x 52" x 26"

211F 52" x 52" x 25"

- Blower & required check valve for airbath must be remote mounted.
- Check valve must be installed higher than the rim of the tub.
- See the Installation & Operation Manual for more details.

Hydrotherapy	Package Contents	Part #		Finish	MSRP
Soaker	Soaking bath - no jets. Includes an integrated slotted overflow with a toe-tap drain kit. • Exterior Color option is not available with rolled rim.	S211R rolled rim	S211F flat rim	soft matte	\$10,170
		S211RGL rolled rim	S211FGL flat rim	hand-polished gloss	\$11,500
Air Bath	20 air jets, heated air blower, keypad, waterproof remote control, integrated slotted overflow with a toe-tap drain kit. • Exterior Color option is not available with rolled rim.	AST211R rolled rim	AST211F flat rim	soft matte	\$15,710
		AST211RGL rolled rim	AST211FGL flat rim	hand-polished gloss	\$17,035

**Options** *Must be ordered at time of purchase*

**Quick Ship** (QSPRI2) **\$1,110** reduces lead time  
*Please call for availability*

**Standard Color** White  
**Biscuit Color Upgrade** (SSBI) **\$320**  
*Additional material colors available for projects only. Please call MTI.*

**Exterior Color** for flat rim only **\$1,905** (SSCOLTG) Gloss (SSCOLTM) Matte  
Must specify color code:  
Sapphire Blue (SB), Blue Lagoon (BL), Terracotta (TC),  
Onyx (OX), Stratus Gray (TG), Stormgray (SG)  
[Check mtibaths.com for current lead time](http://mtibaths.com)

**Accessories**

**Teak Bath Mat** (TKMAT3018) **\$880** Measures 30" x 17.5" x 1"  
*Custom sizes also available. Contact MTI for details.*

**Teak Tub Tray** (TK-RDTRAY) **\$1,185**  
*Order with tub for best fit*

**SculptureStone® Tub Accessories**  
Packaging / Handling Fee Applies

**SculptureStone® Bathroom Table** (TABLE) **\$895** matte finish  
(TABLEGL) **\$1,360** gloss finish  
*Order with tub for best color match*

**SculptureStone® Premium Faucet Stand**

<b>15" w x 39" h</b>	<b>10" w x 39" h</b>
Matte (SSFSR3915MT) <b>\$2,555</b>	Matte (SSFSR3910MT) <b>\$2,310</b>
Gloss (SSFSR3915GL) <b>\$2,940</b>	Gloss (SSFSR3910GL) <b>\$2,730</b>
<b>20" w x 23" h</b>	<b>15" w x 23" h</b>
Matte (SSFSR2320MT) <b>\$2,090</b>	Matte (SSFSR2315MT) <b>\$1,975</b>
Gloss (SSFSR2320GL) <b>\$2,505</b>	Gloss (SSFSR2315GL) <b>\$2,355</b>

**Drains & Overflow Kits** *Must be ordered at time of purchase*

**Toe Tap Drain Cover Finishes**  
PVC drain - Chrome included

- +**\$55** upcharge Br. Nickel (WIOBN), Pol. Nickel (WIOPN)
- +**\$95** upcharge Matte Black (WIOBM)
- +**\$115** upcharge Oil-Rubbed Bronze\* (WIOOR)
- +**\$695** upcharge Special Finish\* (WIOSF)

*Send finish sample to MTI Baths for best match.*

**Toe Tap SculptureStone® Drain Cover Finishes**  
Upgrade is in lieu of standard chrome to tap drain cover.  
White only

- +**\$100** upcharge Matte Finish (SSWIOMT)
- +**\$120** upcharge Gloss Finish (SSWIOGL)

**Brass Tailpiece** (WIOBS) **\$95** in addition to finish charge listed above

**Quick Drain Kit** (WOQ) **\$510**

\* MTI has selected an oil-rubbed bronze finish that is compatible with Delta and many other manufacturers. To ensure best match, order as a Special Finish and submit a sample.

\* Allow 2-4 weeks lead time for Special Finishes. Send sample for best match.