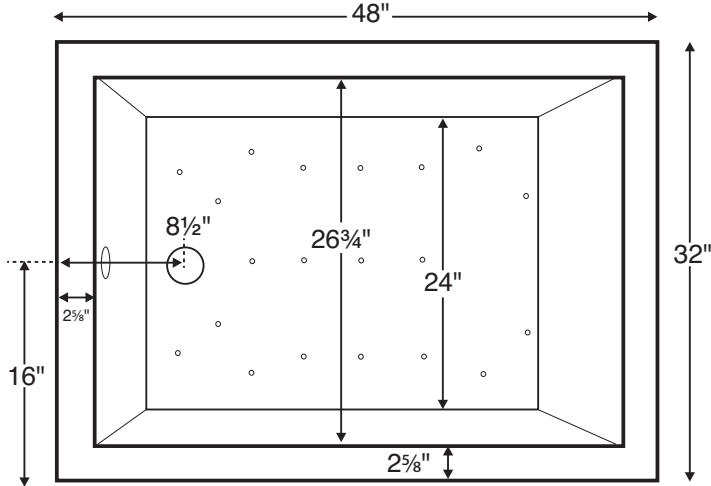


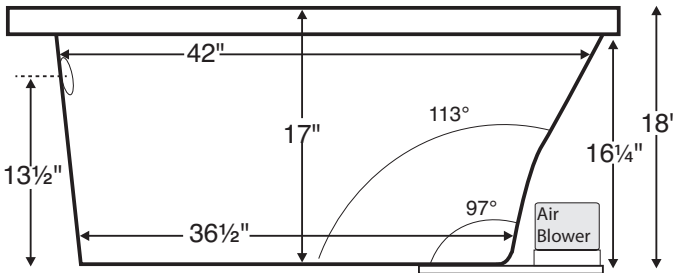
Andrea® 25



MODEL 212	
48" x 32" x 18"	
DROP-IN or UNDERMOUNT 49 gal to overflow	
Acrylic CXL®	DoloMatte®
90 lbs / 41 kg	<SOAKER> 101 lbs / 46 kg
Filling this tub to the maximum may require an above average size or dedicated water heater.	



This model cannot accommodate a deck mount tub filler. Shown with Air Massage Package.



IMPORTANT: Air baths and tubs with a pre-leveled foam base or frame system add 2-3" to overall tub height.

IMPORTANT ORDERING & INSTALLATION INFORMATION

- Before ordering or installing, please consider future access to equipment.
- Add proper bedding compound to fully level and support bottom of tub.
- When equipped with an air bath package, pre-leveled foam base or frame system, overall tub height is increased by approx. 2-3" and is designed to install on a flat, level subfloor.
- Radiance placed on airbath floor will affect placement of air jets.
- System components may extend beyond the perimeter of deck.
- Please measure tub **on-site** before building tub decking.
- Advise MTI when planning to use a glass enclosure. Relocation of controls may be necessary.
- Suction and control locations may vary.
- All tubs are compliant with ASTM C 1028-07 coefficient of friction. DoloMatte meets ANSI A137.1/ A326.3 coefficient of friction and AS HB198:2014 slip tests.

ELECTRICAL COMPONENTS & SPECIFICATIONS

Hydrotherapy Package	Components Included	GFCI / 110V
Standard Whirlpool	2-bhp pump	1-15 amp
Stream Bath	1/2-bhp, ozone	1-20 amp
Microbubbles	Microbubbles pump	1-15 amp
Ultra Whirlpool	2-bhp pump, inline heater, ozone	2-15 amp
Air Massage	heated blower	1-15 amp

Hydrotherapy Package	Components Included	GFCI / 110V
Air Massage Elite	heated blower, chromatherapy	1-15 amp
Air Massage w/ Stream Bath	1/2-bhp pump, heated blower, ozone	1-20 amp
Air Massage Elite w/ Stream Bath	1/2-bhp pump, heated blower, chromatherapy, ozone	1-20 amp
Microbubbles with Air	Microbubbles pump, heated blower	1-20 amp
Microbubbles with Air Elite	Microbubbles pump, heated blower, chromatherapy	2-15 amp

Electrical requirements may change with the addition of optional therapy components. See specific option details or installation information. CSA Certified C/US; B45.5/IAPMO ANSI Z124.1 and ANSI 112.19.7

See the Installation & Operation Manual for more details. MTI's Customer Service Monday-Friday 8am-6pm EST 800-783-8827 or service@mtibaths.com

- Before discarding tub crate, check for accessories that may be packaged inside.
- All product measurements are ±1/2".
- Specifications and configurations are subject to change without notice.
- Measurements herein supersede all others published prior to publication date below.



Andrea® 25
 MODEL 212
 48" x 32" x 18"

- Aromatherapy is eliminated for undermount applications
- Air Baths, Pre-Leveled Foam Base or Frame Systems increase overall height by 2-3".

Hydrotherapy Packages	Package Contents	Acrylic CXL®		DoloMatte®	
		Part #	MSRP	Part #	MSRP
Soaker	Soaking bath - no jets	S212-DI	\$2,800	S212DM-DI	\$3,380
		S212-UM		S212DM-UM	
Stream Bath	6 side vents, 2 end vents, 1/2 bhp pump, Ozone	SM212-DI	\$5,275	SM212DM-DI	\$5,860
		SM212-UM		SM212DM-UM	
Microbubbles	1 microbubbles infusion port and pump	M212-DI	\$6,030	M212DM-DI	\$6,615
		M212-UM		M212DM-UM	
Air Massage	20 air jets, heated air blower, Aromatherapy, pre-leveled foam base	AST212-DI	\$6,355	AST212DM-DI	\$6,935
		AST212-UM		AST212DM-UM	
Air Massage Elite	30 air jets, heated air blower, Aromatherapy, Chromatherapy LED lighting, Spa Mode, pre-leveled foam base	AE212-DI	\$8,200	AE212DM-DI	\$8,785
		AE212-UM		AE212DM-UM	
Stream Bath with Air Massage	6 side vents, 2 end vents, 1/2 bhp pump, Ozone, 20 air jets, heated air blower, Aromatherapy, pre-leveled foam base	ASTSM212-DI	\$8,340	ASTSM212DM-DI	\$8,925
		ASTSM212-UM		ASTSM212DM-UM	
Stream Bath with Air Massage Elite	6 side vents, 2 end vents, 1/2 bhp pump, Ozone, 30 air jets, heated air blower, Aromatherapy, Chromatherapy LED lighting, Spa Mode, pre-leveled foam base	AESM212-DI	\$10,385	AESM212DM-DI	\$10,965
		AESM212-UM		AESM212DM-UM	
Microbubbles with Air Massage	1 microbubbles infusion port and pump, 20 air jets, heated air blower, Aromatherapy, pre-leveled foam base	ASTM212-DI	\$9,000	ASTM212DM-DI	\$9,580
		ASTM212-UM		ASTM212DM-UM	
Microbubbles with Air Massage Elite	1 microbubbles infusion port and pump, 30 air jets, heated air blower, Aromatherapy, Chromatherapy LED lighting, Spa Mode, pre-leveled foam base	AEM212-DI	\$10,750	AEM212DM-DI	\$11,335
		AEM212-UM		AEM212DM-UM	

RECOMMENDED SENSORY THERAPIES

Chromatherapy

(LE) **\$880** underwater lighting
 2 LED lights included

Audiotherapy

(STEREOBT) **\$1,535** 2 transducers with bluetooth and amplifier
 (STEREOH202) **\$1,740** 4 transducers amplifier not included
 (BTREMOTE) **\$660** bluetooth remote

Thermaltherapy

(RAD100) **\$1,760** Radiance®
 2 heated zones included
 (HTISOAK) **\$910**



For more information on options and accessories go to Acrylic Tub Options at mtibaths.com

Andrea® 25
MODEL 212

Options <i>Must be ordered at time of purchase.</i>
Standard Colors White (CWH) DoloMatte available in matte white only. Biscuit (CBS) Not available for DoloMatte.
Quick Ship reduces lead time (QSPRI) \$475 <i>Please call for availability</i>
Inline Heater maintains water temperature For Soaker or Air Baths (HTISOAK) \$910 Includes a recirculating pump <i>Cannot be combined with Microbubbles.</i>
Virtual Spout high-flow integrated tub filler (FPMJ) \$500 <i>Virtual Spout location is left of the overflow, unless otherwise specified on order.</i>
Grab Bars from \$360 <i>Selections vary. Personalization available.</i>
Textured Bottom (TXTBTM) Acrylic CXL® only \$115 DoloMatte® exceeds ANSI A1371/A326.3 and AS HB198 slip tests.
Low-Profile Rim - reduces rim height to 1" (LPR) \$295
Accessories
Pillows from \$200
Teak Bath Mat (TKMAT3018) \$880 <i>Custom sizes also available. Contact MTI for details and pricing.</i>
Teak Tub Tray Slatted (TK-TRAY1) \$540 Solid (TK-TRAY2) \$615

Hydrotherapy Equipment & Cleaning Systems <i>Must be ordered at time of purchase.</i>
Inline Heater maintains water temperature For Stream Bath (HTI) \$630 Uses existing pump <i>Cannot be combined with Microbubbles.</i>
Ozonator (OZONE) \$565 <i>Cannot be added to soakers or airbaths without combination hydrotherapy package or HTISOAK.</i>

Installation Options *Must be ordered at time of purchase.*

Pre-Leveled Foam Base (PLFOAM) \$325 All airbaths include a pre-leveled foam base.	Tile Flange Factory-Installed on 3 sides - rigid ABS (TFK3) \$220 Field Install Kit - includes rigid ABS & adhesive (TFKNI) \$205 IMPORTANT: <i>Must specify flange location(s) on order of Factory-Installed Flange. Not available with optional Low-Profile Rim.</i>
Pre-Leveled Frame and Foam Base (PLF) \$815	

Drains & Overflow Kits *Toe Tap Rectangular Overflow must be ordered at time of purchase*

Cable Driven	Toe Tap	Toe Tap
Drain Finishes – PVC Drain Kit White/Biscuit (WOCDW) \$485 Chrome (WOC) \$450 Brushed Nickel (WOCDBN) \$540 Polished Nickel (WOCDPN) \$595 Oil-Rubbed Bronze [†] (WOCBOR) \$610 Polished Brass (WOCDBR) \$760 Special Finishes* (WOCDSF) \$1,250 <i>MTI does not offer a brass body cable drain kit.</i>	Round Overflow – PVC Drain Kit Chrome (WOTTC) \$420 Brushed Nickel (WOTTBN) \$425 Polished Nickel (WOTTPN) \$425 Special Finishes* (WOTTSF) \$1,260 Round Overflow – Solid Brass Drain Chrome (WOTTSBC) \$895 Brushed Nickel (WOTTSBBN) \$895 Polished Nickel (WOTTSBPN) \$895	Rectangular Overflow – PVC Drain Kit Chrome (WOTRC) \$520 Brushed Nickel (WOTRBN) \$475 White (WOTRW) \$580 Lift & Turn Drain Finishes – PVC Drain Kit Chrome (WOC) \$205 White (WOW) \$270 Brushed Nickel (WOBN) \$335

Slim-Line Overflow with Toe Tap Drain *Must be ordered at time of purchase.*

<ul style="list-style-type: none"> Low profile overflow is factory installed Overflow measures 4.5" x 1" Provides a deeper soak Not available for commercial applications 	Slim-Line Overflow with Toe Tap Drain PVC Drain Chrome (SLOT) \$550 Brushed Nickel (SLOTBN) \$585 Polished Nickel (SLOTPN) \$615 White (SLOTW) \$475	Slim-Line Overflow with Toe Tap Drain Solid Brass Drain Chrome (SLOTSBC) \$1,025 Brushed Nickel (SLOTSBBN) \$1,030 Polished Nickel (SLOTSBPN) \$1,030 White (SLOTSBW) \$1,065
---	--	---

[†] MTI has selected an oil-rubbed bronze finish that is compatible with Delta and many other manufacturers. To ensure best match, order as a Special Finish and submit a sample.

* Allow 2-4 weeks lead time for Special Finishes. Send sample for best match.