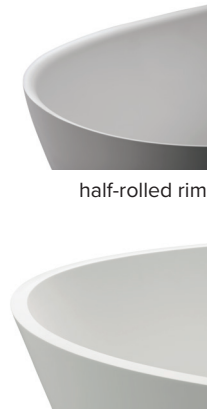
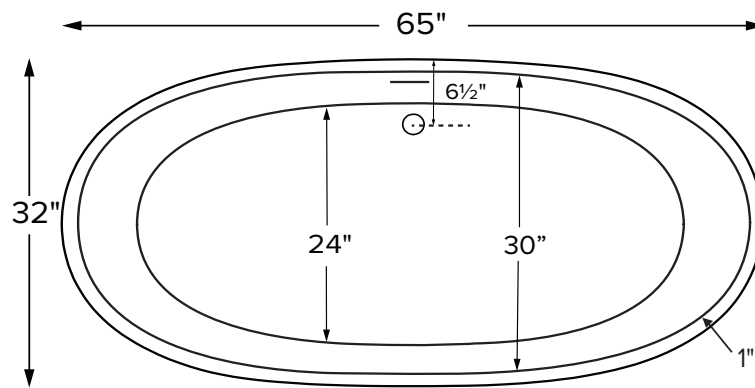


Elena Soaker with Cradle

MODEL 220C
220CR 65" x 32" x 27.75" 220CF 65" x 32" x 26.75"
FREESTANDING 102 gal to overflow
SculptureStone®
280 lbs / 127 kg soaker
Filling this tub to the maximum may require an above average size or dedicated water heater.



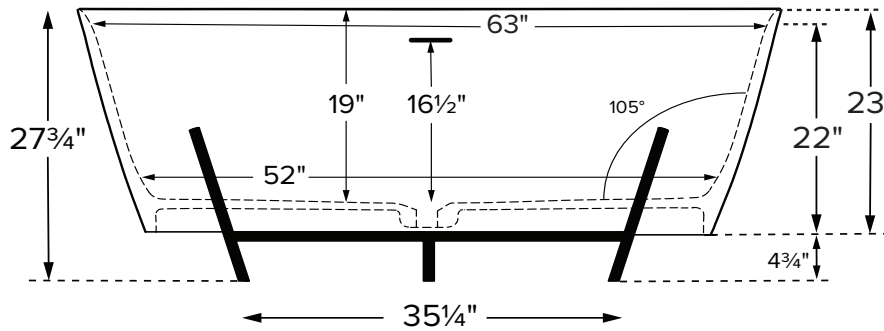
Features an integrated overflow and black powder-coated steel cradle with matching decorative tailpiece for drain connection.



half-rolled rim

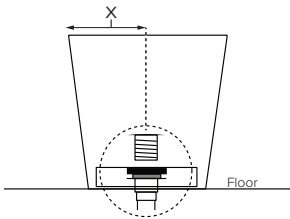
flat rim
(reduces overall height by 1")

Elena #220 is available with a half-rolled or flat rim. Tub height will vary based upon features selected.



Tailpiece for drain connection comes color-matched to cradle.

Drain Rough-In Measurement



ELECTRICAL COMPONENTS & SPECIFICATIONS

Hydrotherapy Package

Cradle tubs available as Soaker only

Electrical requirements may change with the addition of optional therapy components. See specific option details or installation information. CSA Certified C/US; ANSI Z124.1 and ANSI 112.19.7

See the Installation & Operation Manual for more details. MTI's Customer Service: Monday-Friday 8am-6pm EST **800-783-8827** or service@mtibaths.com

IMPORTANT ORDERING & INSTALLATION INFORMATION

- Includes an integrated overflow with toe tap drain in chrome finish. May be specified without an overflow (see local codes before ordering without an overflow).
- Includes decorative tailpiece color-matched to tub cradle.
- Additional cradle colors available based on the universal RAL color chart; see ralcolor.com. Provide RAL color code on order. Extended lead time may apply.
- Air baths require job site preparation for remote installation of the blower and required check valve. Check valve must be installed higher than the rim of the tub.
- Waterproof remote control included with air bath. Keypad shipped loose may be remote mounted on nearby surface/wall.
- Faucet valves cannot be mounted on this tub model.

- Before discarding tub crate, check for accessories that may be packaged inside.
- All product measurements are ±1/2".
- Specifications and configurations are subject to change without notice.
- Measurements herein supersede all others published prior to publication date below.

For more information on options and accessories go to SculptureStone® Tubs Options on mtibaths.com

Elena Soaker with Cradle

MODEL #: 220C

220CR 65" x 32" x 27.75"

220CF 65" x 32" x 26.75"

Hydrotherapy	Package Contents	Part #		Finish	MSRP
Soaker	Soaking bath - no jets. Includes an integrated slotted overflow with a toe-tap drain kit.	S220CR half-rolled rim	S220CF flat rim	soft matte	\$12,095
		S220CRGL half-rolled rim	S220CFGL flat rim	hand-polished gloss	\$13,270

See Elena without cradle for air bath option, model #220.

Options <i>Must be ordered at time of purchase</i>
Quick Ship (QSPRI2) \$1,110 reduces lead time <i>Please call for availability</i>
Standard Color White Biscuit Color Upgrade (SSBI) \$320 <i>Additional material colors available for projects only. Please call MTI.</i>
Exterior Color \$1,905 (SSCOLTG) Gloss Finish (SSCOLTM) Matte Finish Must specify color code: Sapphire Blue (SB), Blue Lagoon (BL), Terracotta (TC), Onyx (OX), Stratus Gray (TG), Stormgray (SG) Check mtibaths.com for current lead time
Accessories
Teak Bath Mat (TKMAT3018) \$880 Measures 30" x 17.5" x 1" <i>Custom sizes also available. Contact MTI for details.</i>
SculptureStone® Tub Tray No Stemware Holder (SSTRAY1) \$370 matte (SSTRAY1GL) gloss \$370 With Stemware Holder (SSTRAY2) \$490 matte (SSTRAY2GL) gloss \$490 <i>Order with tub for best color match</i>
Teak Tub Tray Slatted (TK-TRAY1) \$540 Solid (TK-TRAY2) \$615 <i>Order with tub for best fit</i>

SculptureStone® Tub Accessories	
Packaging / Handling Fee Applies	
SculptureStone® Bathroom Table (TABLE) \$895 matte finish (TABLEGL) \$1,360 gloss finish <i>Order with tub for best color match</i>	
SculptureStone® Standard Faucet Stand	
Small - 3-hole capacity 14¼" w x 20½" h Matte (STAND) \$780 Gloss (STANDGL) \$1,250	Large - 5-hole capacity 22" w x 21½" h Matte (STANDL) \$925 Gloss (STANDLGL) \$1,390
SculptureStone® Premium Faucet Stand	
15" w x 39" h Matte (SSFSR3915MT) \$2,555 Gloss (SSFSR3915GL) \$2,940	10" w x 39" h Matte (SSFSR3910MT) \$2,310 Gloss (SSFSR3910GL) \$2,730
20" w x 23" h Matte (SSFSR2320MT) \$2,090 Gloss (SSFSR2320GL) \$2,505	15" w x 23" h Matte (SSFSR2315MT) \$1,975 Gloss (SSFSR2315GL) \$2,355

Drains & Overflow Kits <i>Must be ordered at time of purchase</i>	
Toe Tap Drain Cover Finishes PVC drain - Chrome included + \$55 upcharge Br. Nickel (WIOBN), Pol. Nickel (WIOPN) + \$95 upcharge Matte Black (WIOBM) + \$115 upcharge Oil-Rubbed Bronze* (WIOOR) + \$695 upcharge Special Finish* (WIOSF) <i>Send finish sample to MTI Baths for best match.</i>	Toe Tap SculptureStone® Drain Cover Finishes Upgrade is in lieu of standard chrome to tap drain cover. White only + \$100 upcharge Matte Finish (SSWIOMT) + \$120 upcharge Gloss Finish (SSWIOGL) Brass Tailpiece (WIOBS) \$95 in addition to finish charge listed above Quick Drain Kit (WOQ) \$510

* MTI has selected an oil-rubbed bronze finish that is compatible with Delta and many other manufacturers. To ensure best match, order as a Special Finish and submit a sample.

CSA # MTCT-220C

©2025 by MTI Baths, Inc. Modification Rights Reserved

* Allow 2-4 weeks lead time for Special Finishes. Send sample for best match.