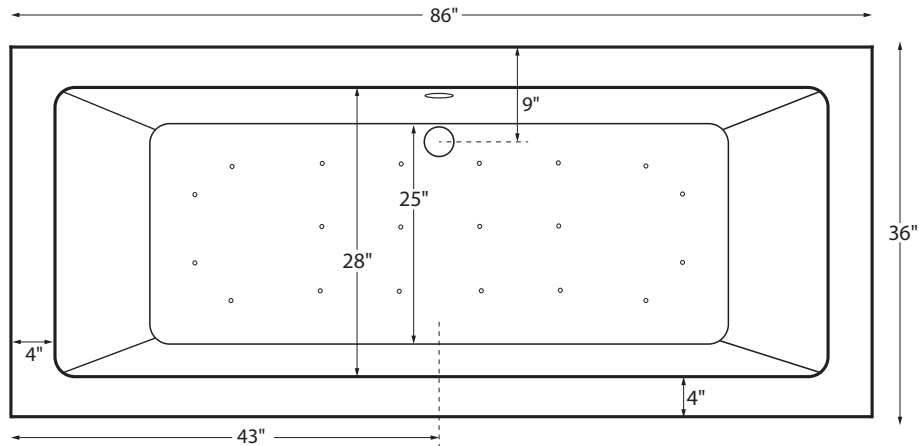




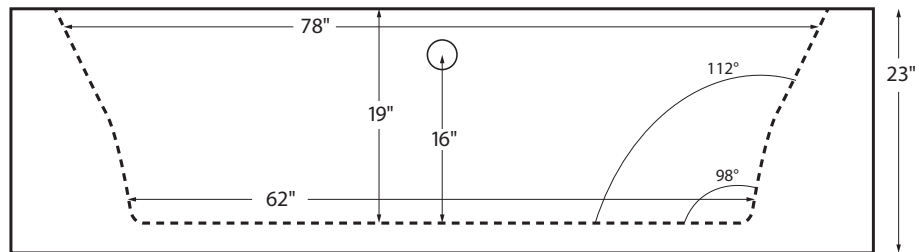
Available as a freestanding model or finished on 1, 2 or 3 sides for various installation applications.

Andrea® 27
with Sculpted Finish®

MODEL 229A	
86" x 36" x 23"	
FREESTANDING or ALCOVE 109 gal to overflow	
Acrylic CXL®	DoloMatte®
140 lbs / 64 kg	<SOAKER> 158 lbs / 72 kg
Filling this tub to the maximum may require an above average size or dedicated water heater.	



The Sculpted Finish process does not allow enough space for mounting fixtures on the tub deck.
Shown as Air Bath



ELECTRICAL COMPONENTS & SPECIFICATIONS		
Hydrotherapy Package	Components Included	GFCI/110V
Microbubbles	Microbubbles pump	1-15 amp
Air Massage	heated blower	1-15 amp
Microbubbles with Air	Microbubbles pump, heated blower	1-20 amp
Air Massage Elite	heated blower, chromatherapy	1-15 amp
Microbubbles with Air Elite	Microbubbles pump, heated blower, chromatherapy	2-15 amp

Electrical requirements may change with the addition of optional therapy components. See specific option details or installation information, CSA Certified C/US; B45.5/IAPMO ANSI Z124.1 and ANSI 112.19.7

IMPORTANT ORDERING & INSTALLATION INFORMATION

- Before ordering or installing, please consider future access to equipment.
- Unless ordering Sculpted Finish on 4 sides, please include a diagram specifying which sides will need to be finished, along with location of optional tile flange(s).
- Overflow is factory installed for provided toe tap drain.
- When ordering an air bath, the air blower must be remote mounted.
- Microbubbles system components must be installed on a non-Sculpted Finish side. Components will extend beyond the perimeter of the tub. Call MTI for specific details regarding the desired installation before placing the order.
- Radiance placed on floor locations will affect placement of air jets.
- Hydrotherapy equipment may ship loose for remote installation. See package content on the following page for details.
- Faucet valves cannot be installed on this tub model.
- All tubs are compliant with ASTM C 1028-07 coefficient of friction. DoloMatte meets ANSI A137.1/A326.3 coefficient of friction and AS HB198:2014 slip tests.

See the Installation & Operation Manual for more details.
MTI's Customer Service: Monday-Friday 8am-6pm EST
800-783-8827 or service@mtibaths.com

• Options and accessories may be packaged inside the tub crate. Always check packaging before discarding.
• All product measurements are ±1/2".
• Specifications and configurations are subject to change without notice.
• Measurements herein supersede all others published prior to publication date below.

Andrea 27
with Sculpted Finish®
MODEL 229A
86" x 36" x 23"

Hydrotherapy Packages	Package Contents	Sculpted Finish Sides	Acrylic CXL®		DoloMatte®	
			Part #	MSRP	Part #	MSRP
Soaker	Soaking bath - no jets, pre-leveled foam base, factory installed rectangular overflow with toe tap drain	4-sides sculpted	S229A4	\$10,310	S229D4	\$11,475
		3-sides sculpted	S229A3	\$9,620	S229D3	\$10,635
		2-sides sculpted	S229A2	\$7,955	S229D2	\$8,830
		1-side sculpted	S229A1	\$7,550	S229D1	\$8,280
Microbubbles	1 infusion port, microbubbles pump, pre-leveled foam base, factory installed rectangular overflow with toe tap drain	4-sides sculpted	n/a	n/a	n/a	n/a
		3-sides sculpted	M229A3	\$12,850	M229D3	\$13,870
		2-sides sculpted	M229A2	\$11,190	M229D2	\$12,065
		1-side sculpted	M229A1	\$10,785	M229D1	\$11,515
Air Massage	20 air jets, heated air blower, pre-leveled foam base, factory installed rectangular overflow with toe tap drain	4-sides sculpted	AST229A4	\$13,865	AST229D4	\$15,030
		3-sides sculpted	AST229A3	\$13,170	AST229D3	\$14,190
		2-sides sculpted	AST229A2	\$11,510	AST229D2	\$12,385
		1-side sculpted	AST229A1	\$11,105	AST229D1	\$11,835
Air Massage Elite	30 air jets, heated air blower, Chromatherapy LED lighting, Spa Mode, pre-leveled foam base, factory installed rectangular overflow with toe tap drain	4-sides sculpted	AE229A4	\$15,715	AE229D4	\$16,880
		3-sides sculpted	AE229A3	\$15,020	AE229D3	\$16,040
		2-sides sculpted	AE229A2	\$13,355	AE229D2	\$14,235
		1-side sculpted	AE229A1	\$12,950	AE229D1	\$13,680
Microbubbles with Air Massage	1 infusion port, microbubbles pump, 20 air jets, heated air blower, pre-leveled foam base, factory installed rectangular overflow with toe tap drain	4-sides sculpted	n/a	n/a	n/a	n/a
		3-sides sculpted	ASTM229A3	\$15,820	ASTM229D3	\$16,835
		2-sides sculpted	ASTM229A2	\$14,155	ASTM229D2	\$15,030
		1-side sculpted	ASTM229A1	\$13,750	ASTM229D1	\$14,480
Microbubbles with Air Massage Elite	1 infusion port, microbubbles pump, 30 air jets, heated air blower, Chromatherapy LED lighting, Spa Mode, pre-leveled foam base, factory installed rectangular overflow with toe tap drain	4-sides sculpted	n/a	n/a	n/a	n/a
		3-sides sculpted	AEM229A3	\$17,570	AEM229D3	\$18,590
		2-sides sculpted	AEM229A2	\$15,910	AEM229D2	\$16,785
		1-side sculpted	AEM229A1	\$15,505	AEM229D1	\$16,235

Microbubbles system components must be installed on a non-Sculpted Finish® side.

Components will extend beyond the perimeter of the tub. Call MTI for specific details regarding the desired installation before placing order.

For more customized applications, additional hydrotherapies may possibly be integrated in Sculpted Finish® tubs, depending on the types of therapy and the installation application. Visit mtibaths.com or call MTI at 800.783.8827.

RECOMMENDED SENSORY THERAPIES

Chromatherapy

(LE) **\$880** underwater lighting
2 LED lights included

Audiotherapy

(STEREOBT) **\$1,535** 2 transducers with bluetooth and amplifier
(BTREMOTE) **\$660** bluetooth remote

(STEREOH202) **\$1,740** 4 transducers
amplifier not included

Thermaltherapy

(RAD100) **\$1,760** Radiance®
2 heated zones included

For more information on options and accessories go to Acrylic Tub Options on mtibaths.com

Andrea 27 with Sculpted Finish®
MODEL 229A

Options <i>Must be ordered at time of purchase.</i>
Standard Color White (CWH) gloss Acrylic CXL, matte DoloMatte
Textured, Slip-Resistant Bottom (TXTBTM) \$115 DoloMatte® exceeds ANSI A137.1/A326.3 and AS HB198 slip tests.
Ozonator (OZONE) \$565 <i>Cannot be added to soakers or airbaths without Microbubbles system.</i>

Installation Options <i>Must be ordered at time of purchase.</i>
Tile Flange Factory Installed rigid ABS 1 Side (TFK1) \$190 2 Sides (TFK2) \$205 3 Sides (TFK3) \$220 Field Install Kit (TFKNI) \$205 Includes rigid ABS & adhesive
IMPORTANT: <i>Must specify flange location(s) on order of Factory-Installed Flange.</i>

Accessories
Pillows from \$200
Teak Bath Mat (TKMAT3018) \$880 <i>Custom sizes also available. Contact MTI for details and pricing.</i>
Teak Tub Tray Slatted (TK-TRAY1) \$540 Solid (TK-TRAY2) \$615
Floor-Mounted High-Flow Tub Filler Traditional Brushed Nickel (FILLTBN) \$1,885

Drains & Overflow Kits *Must be ordered at time of purchase*

Toe Tap with Rectangular Overflow – PVC Drain Kit
Overflow is factory installed
Chrome (WOTRC) included
Brushed Nickel (WOTRBNU) substitute free of charge
White (WOTRWU) **\$65** finish upcharge

Slim-Line Overflow with Toe Tap Drain *Must be ordered at time of purchase*

- May upgrade rectangular overflow to Slim-Line Overflow
- Low profile overflow is factory installed
- Overflow measures 4.5" x 1"
- Provides a deeper soak
- Not available for commercial applications

Slim-Line Overflow with Toe Tap Drain
PVC Drain
Chrome (SLOTC) **\$550**
Brushed Nickel (SLOTBN) **\$585**
Polished Nickel (SLOTPN) **\$615**
White (SLOTW) **\$475**

Slim-Line Overflow with Toe Tap Drain
Solid Brass Drain
Chrome (SLOTSBC) **\$1,025**
Brushed Nickel (SLOTSBBN) **\$1,030**
Polished Nickel (SLOTSBPN) **\$1,030**
White (SLOTSBW) **\$1,065**



Rectangular overflow included



Optional Slim-Line overflow