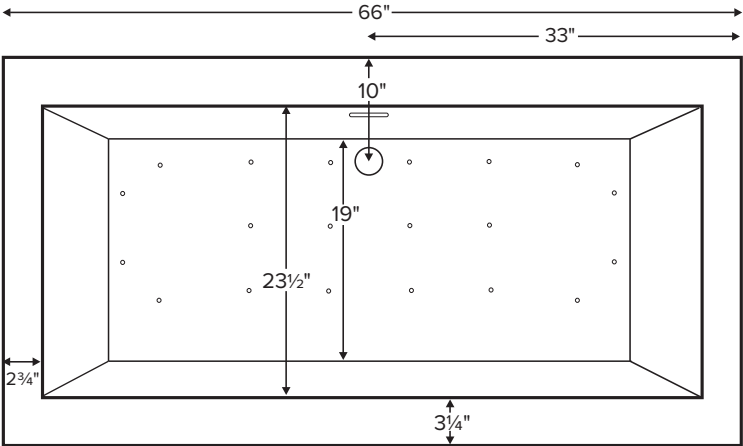




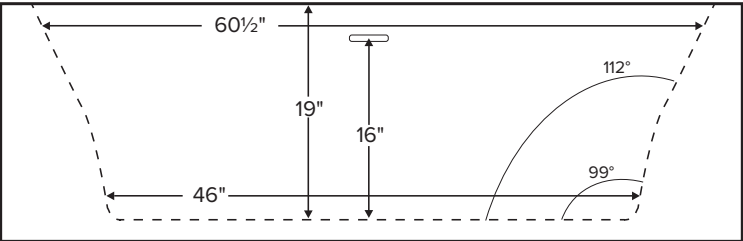
Available as a freestanding model or finished on 1, 2 or 3 sides for various installation applications.

Andrea® 28
with Sculpted Finish®

| | |
|--|--------------------------|
| MODEL 239A | |
| 66" x 30" x 22" | |
| FREESTANDING or ALCOVE 71 gal to overflow | |
| Acrylic CXL® | DoloMatte® |
| 135 lbs / 61 kg | <SOAKER> 152 lbs / 69 kg |
| Filling this tub to the maximum may require an above average size or dedicated water heater. | |



The Sculpted Finish process does not allow enough space for mounting fixtures on the tub deck. Features an integrated overflow. Shown as Air Bath



| ELECTRICAL COMPONENTS & SPECIFICATIONS | | |
|--|---|-----------|
| Hydrotherapy Package | Components Included | GFCI/110V |
| Microbubbles | Microbubbles pump | 1-15 amp |
| Air Massage | heated blower | 1-15 amp |
| Microbubbles with Air | Microbubbles pump, heated blower | 1-20 amp |
| Air Massage Elite | heated blower, chromatherapy | 1-15 amp |
| Microbubbles with Air Elite | Microbubbles pump, heated blower, chromatherapy | 2-15 amp |

Electrical requirements may change with the addition of optional therapy components. See specific option details or installation information. CSA Certified C/US; B45.5/IAPMO ANSI Z124.1 and ANSI 112.19.7

See the Installation & Operation Manual for more details.
MTI's Customer Service: Monday-Friday 8am-6pm EST
800-783-8827 or service@mtibaths.com

IMPORTANT ORDERING & INSTALLATION INFORMATION

- Before ordering or installing, please consider future access to equipment.
- Unless ordering Sculpted Finish on 4 sides, please include a diagram specifying which sides will need to be finished, along with location of optional tile flange(s).
- Integrated overflow with direct connect toe tap drain in chrome included. See manual for details.
- When ordering an air bath, the air blower must be remote mounted.
- Microbubbles system components must be installed on a non-Sculpted Finish side. Components will extend beyond the perimeter of the tub. Call MTI for specific details regarding the desired installation before placing the order.
- Radiance placed on floor locations will affect placement of air jets.
- Hydrotherapy equipment may ship loose for remote installation. See package content on the following page for details. Specifications and configurations are subject to change without notice.
- All tubs are compliant with ASTM C 1028-07 coefficient of friction. DoloMatte meets ANSI A137.1/A326.3 coefficient of friction and AS HB198:2014 slip tests.

• Options and accessories may be packaged inside the tub crate. Always check packaging before discarding.
• All product measurements are ±1/2".
• Specifications and configurations are subject to change without notice.
• Measurements herein supersede all others published prior to publication date below.



Andrea® 28
with Sculpted Finish®
MODEL 239A
66" x 30" x 22"

| Hydrotherapy Packages | Package Contents | Sculpted Finish Sides | Acrylic CXL® | | DoloMatte® | |
|-------------------------------------|---|-----------------------|--------------|----------|------------|----------|
| | | | Part # | MSRP | Part # | MSRP |
| Soaker | Soaking bath - no jets, pre-leveled foam base, integrated slotted overflow with toe tap drain | 4-sides sculpted | S239A4 | \$9,350 | S239D4 | \$10,515 |
| | | 3-sides sculpted | S239A3 | \$8,655 | S239D3 | \$9,675 |
| | | 2-sides sculpted | S239A2 | \$6,995 | S239D2 | \$7,870 |
| | | 1-side sculpted | S239A1 | \$6,590 | S239D1 | \$7,320 |
| Microbubbles | 1 infusion port, microbubbles pump, pre-leveled foam base, integrated slotted overflow with toe tap drain | 4-sides sculpted | n/a | n/a | n/a | n/a |
| | | 3-sides sculpted | M239A3 | \$11,890 | M239D3 | \$12,910 |
| | | 2-sides sculpted | M239A2 | \$10,225 | M239D2 | \$11,105 |
| | | 1-side sculpted | M239A1 | \$9,825 | M239D1 | \$10,555 |
| Air Massage | 20 air jets, heated air blower, pre-leveled foam base, integrated slotted overflow with toe tap drain | 4-sides sculpted | AST239A4 | \$12,905 | AST239D4 | \$14,070 |
| | | 3-sides sculpted | AST239A3 | \$12,210 | AST239D3 | \$13,230 |
| | | 2-sides sculpted | AST239A2 | \$10,545 | AST239D2 | \$11,425 |
| | | 1-side sculpted | AST239A1 | \$10,145 | AST239D1 | \$10,875 |
| Air Massage Elite | 30 air jets, heated air blower, Chromatherapy LED lighting, Spa Mode, pre-leveled foam base, integrated slotted overflow with toe tap drain | 4-sides sculpted | AE239A4 | \$14,755 | AE239D4 | \$15,920 |
| | | 3-sides sculpted | AE239A3 | \$14,060 | AE239D3 | \$15,080 |
| | | 2-sides sculpted | AE239A2 | \$12,395 | AE239D2 | \$13,270 |
| | | 1-side sculpted | AE239A1 | \$11,990 | AE239D1 | \$12,720 |
| Microbubbles with Air Massage | 1 infusion port, microbubbles pump, 20 air jets, heated air blower, pre-leveled foam base, integrated slotted overflow with toe tap drain | 4-sides sculpted | n/a | n/a | n/a | n/a |
| | | 3-sides sculpted | ASTM239A3 | \$14,860 | ASTM239D3 | \$15,875 |
| | | 2-sides sculpted | ASTM239A2 | \$13,195 | ASTM239D2 | \$14,070 |
| | | 1-side sculpted | ASTM239A1 | \$12,790 | ASTM239D1 | \$13,520 |
| Microbubbles with Air Massage Elite | 1 infusion port, microbubbles pump, 30 air jets, heated air blower, Chromatherapy LED lighting, Spa Mode, pre-leveled foam base, integrated slotted overflow with toe tap drain | 4-sides sculpted | n/a | n/a | n/a | n/a |
| | | 3-sides sculpted | AEM239A3 | \$16,610 | AEM239D3 | \$17,630 |
| | | 2-sides sculpted | AEM239A2 | \$14,945 | AEM239D2 | \$15,825 |
| | | 1-side sculpted | AEM239A1 | \$14,545 | AEM239D1 | \$15,270 |

Microbubbles system components must be installed on a non-Sculpted Finish® side.

Components will extend beyond the perimeter of the tub. Call MTI for specific details regarding the desired installation before placing order.

For more customized applications, additional hydrotherapies may possibly be integrated in Sculpted Finish® tubs, depending on the types of therapy and the installation application. Visit mtibaths.com or call MTI at 800.783.8827.

RECOMMENDED SENSORY THERAPIES

Chromatherapy

(LE) **\$880** underwater lighting
2 LED lights included

Audiotherapy

(STEREOBT) **\$1,535** 2 transducers with bluetooth and amplifier
(BTREMOTE) **\$660** bluetooth remote

(STEREOH202) **\$1,740** 4 transducers
amplifier not included

Thermaltherapy

(RAD100) **\$1,760** Radiance®
2 heated zones included

For more information on options and accessories go to Acrylic Tub Options on mtibaths.com

Andrea 28 with Sculpted Finish®
MODEL 239A

| |
|--|
| Options <i>Must be ordered at time of purchase.</i> |
| Standard Color White (CWH) gloss Acrylic CXL, matte DoloMatte |
| Textured, Slip-Resistant Bottom (TXTBTM) \$115 DoloMatte® exceeds ANSI A137.1/A326.3 and AS HB198 slip tests. |
| Ozonator (OZONE) \$565 <i>Cannot be added to soakers or airbaths without Microbubbles system.</i> |

| |
|--|
| Installation Options <i>Must be ordered at time of purchase.</i> |
| Tile Flange Factory Installed rigid ABS 1 Side (TFK1) \$190 2 Sides (TFK2) \$205 3 Sides (TFK3) \$220 Field Install Kit (TFKNI) \$205 Includes rigid ABS & adhesive |
| IMPORTANT: <i>Must specify flange location(s) on order of Factory-Installed Flange.</i> |

Drains & Overflow Kits *Must be ordered at time of purchase*

| |
|---|
| Integrated Toe Tap |
| Slotted Overflow PVC drain - Chrome (SLOTIOC) included |
| Finish Upcharge White (SLOTIOWHU) \$75 Brushed Nickel (SLOTIOBNU) \$75 Polished Nickel (SLOTIOPNU) \$115 |

| |
|---|
| Accessories |
| Pillows from \$200 |
| Teak Bath Mat (TKMAT3018) \$880 <i>Custom sizes also available. Contact MTI for details and pricing.</i> |
| Teak Tub Tray Slatted (TK-TRAY1) \$540 Solid (TK-TRAY2) \$615 |
| Floor-Mounted High-Flow Tub Filler Traditional Brushed Nickel (FILLTBN) \$1,885 |

| |
|---|
| Round Overflow Chrome (RIOBC) may substitute slotted overflow |
| Finish Upcharge White (RIOWH) \$130 Brushed Nickel (RIOBN) \$130 Polished Nickel (RIOPN) \$130 |