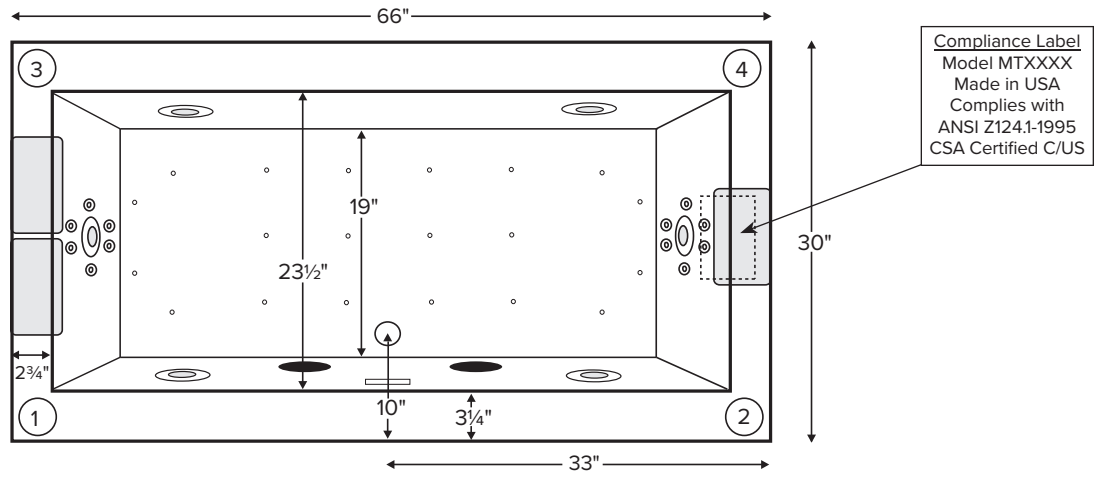


Andrea® 28



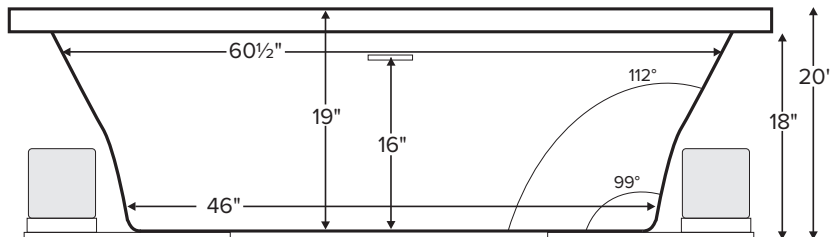
Features an integrated slotted overflow with direct toe tap drain.

MODEL 239		
66" x 30" x 20"		
DROP-IN or UNDERMOUNT 71 gal to overflow		
Acrylic CXL®	DoloMatte®	
115 lbs / 52 kg	<SOAKER>	129 lbs / 59 kg
140 lbs / 64 kg	<PLUMBED>	154 lbs / 70 kg
Filling this tub to the maximum may require an above average size or dedicated water heater.		



Compliance Label
Model MTXXXX
Made in USA
Complies with
ANSI Z124.1-1995
CSA Certified C/US

Numbered areas on tub deck represent possible locations to install cleaning systems, faucets and other fixtures.
Shown as Air Bath



IMPORTANT:
Air baths and tubs with a pre-leveled foam base or frame system add 2-3" to overall tub height.

IMPORTANT ORDERING & INSTALLATION INFORMATION

- Before ordering or installing, please consider future access to equipment.
- Add proper bedding compound to fully level and support bottom of tub.
- When equipped with an air bath package, pre-leveled foam base or frame system, overall tub height is increased by approx. 2-3" and is designed to install on a flat, level subfloor.
- Radiance placed on airbath floor will affect placement of air jets.
- System components may extend beyond the perimeter of deck.
- Please measure tub **on-site** before building tub decking.
- Advise MTI when planning to use a glass enclosure. Relocation of controls may be necessary.
- Suction and control locations may vary.
- All tubs are compliant with ASTM C 1028-07 coefficient of friction. DoloMatte meets ANSI A137.1/ A326.3 coefficient of friction and AS HB198:2014 slip tests.

ELECTRICAL COMPONENTS & SPECIFICATIONS

Hydrotherapy Package	Components Included	GFCI / 110V
Standard Whirlpool	2-bhp pump	1-15 amp
Stream Bath	1/2-bhp, ozone	1-20 amp
Microbubbles	Microbubbles pump	1-15 amp
Ultra Whirlpool	2-bhp pump x 2, inline heater, ozone	2-20 amp
Air Massage	heated blower	1-15 amp
Air Massage Elite	heated blower, chromatherapy	1-15 amp
Air Massage w/ Stream Bath	1/2-bhp pump, heated blower, ozone	1-20 amp
Air Massage Elite w/ Stream Bath	1/2-bhp pump, heated blower, chromatherapy, ozone	1-20 amp

Hydrotherapy Package	Components Included	GFCI / 110V
Microbubbles with Air	Microbubbles pump, heated blower	1-20 amp
Microbubbles with Air Elite	Microbubbles pump, heated blower, chromatherapy	2-15 amp
Air with Whirlpool	2-bhp pump, heated blower	2-15 amp
Air with Ultra Whirlpool	2-bhp pump x 2, inline heater, heated blower, ozone	2-20 amp
Air Elite with Whirlpool	2-bhp pump, heated blower, chromatherapy	2-15 amp
Air Elite with Ultra Whirlpool	2-bhp pump x 2, inline heater, heated blower, chromatherapy, ozone	2-20 amp

See the Installation & Operation Manual for more details.
MTI's Customer Service Monday-Friday 8am-6pm EST
800-783-8827 or service@mtibaths.com

- Before discarding tub crate, check for accessories that may be packaged inside.
- All product measurements are ±1/2".
- Specifications and configurations are subject to change without notice.
- Measurements herein supersede all others published prior to publication date below.



- Aromatherapy is eliminated for undermount applications
- Air Baths, Pre-Levelled Foam Base or Frame Systems increase overall height by 2-3".

Andrea® 28
 MODEL 239
 66" x 30" x 20"

Hydrotherapy Packages	Package Contents	Acrylic CXL®		DoloMatte®	
		Part #	MSRP	Part #	MSRP
Soaker	Soaking bath - no jets, integrated slotted overflow with toe-tap drain kit in chrome.	S239-DI	\$2,960	S239DM-DI	\$3,545
		S239-UM		S239DM-UM	
Stream Bath	6 side vents, 2 end vents, 1/2 bhp pump, Ozone, integrated slotted overflow with toe-tap drain kit in chrome.	SM239-DI	\$5,440	SM239DM-DI	\$6,020
		SM239-UM		SM239DM-UM	
Microbubbles	1 microbubbles infusion port and pump, integrated slotted overflow with toe-tap drain kit in chrome.	M239-DI	\$6,195	M239DM-DI	\$6,780
		M239-UM		M239DM-UM	
Air Massage	20 air jets, heated air blower, Aromatherapy, pre-leveled foam base, integrated slotted overflow with toe-tap drain kit in chrome.	AST239-DI	\$6,515	AST239DM-DI	\$7,100
		AST239-UM		AST239DM-UM	
Air Massage Elite	30 air jets, heated air blower, Aromatherapy, Chromatherapy LED lighting, Spa Mode, pre-leveled foam base, integrated slotted overflow with toe-tap drain kit in chrome.	AE239-DI	\$8,365	AE239DM-DI	\$8,945
		AE239-UM		AE239DM-UM	
Stream Bath with Air Massage	6 side vents, 2 end vents, 1/2 bhp pump, Ozone, 20 air jets, heated air blower, Aromatherapy, pre-leveled foam base, integrated slotted overflow with toe-tap drain kit in chrome.	ASTSM239-DI	\$8,505	ASTSM239DM-DI	\$9,090
		ASTSM239-UM		ASTSM239DM-UM	
Stream Bath with Air Massage Elite	6 side vents, 2 end vents, 1/2 bhp pump, Ozone, 30 air jets, heated air blower, Aromatherapy, Chromatherapy LED lighting, Spa Mode, pre-leveled foam base, integrated slotted overflow with toe-tap drain kit in chrome.	AESM239-DI	\$10,545	AESM239DM-DI	\$11,130
		AESM239-UM		AESM239DM-UM	
Microbubbles with Air Massage	1 microbubbles infusion port and pump, 20 air jets, heated air blower, Aromatherapy, pre-leveled foam base, integrated slotted overflow with toe-tap drain kit in chrome.	ASTM239-DI	\$9,160	ASTM239DM-DI	\$9,745
		ASTM239-UM		ASTM239DM-UM	
Microbubbles with Air Massage Elite	1 microbubbles infusion port and pump, 30 air jets, heated air blower, Aromatherapy, Chromatherapy LED lighting, Spa Mode, pre-leveled foam base, integrated slotted overflow with toe-tap drain kit in chrome.	AEM239-DI	\$10,915	AEM239DM-DI	\$11,500
		AEM239-UM		AEM239DM-UM	
Standard Whirlpool	6 point-massage jets, 2-bhp pump, integrated slotted overflow with toe-tap drain kit in chrome.	P239-DI	\$5,265	P239DM-DI	\$5,850
		P239-UM		P239DM-UM	
Ultra Whirlpool	6 point-massage jets, 12 micro-jets with Tsubo massage, 2 2-bhp pumps, inline heater, Ozone, integrated slotted overflow with toe-tap drain kit in chrome.	P239U-DI	\$7,210	P239UDM-DI	\$7,790
		P239U-UM		P239UDM-UM	
Air Massage with Standard Whirlpool	6 point-massage jets, 2-bhp pump, 20 air jets, heated air blower, Aromatherapy, pre-leveled foam base, integrated slotted overflow with toe-tap drain kit in chrome.	AW239-DI	\$8,815	AW239DM-DI	\$9,400
		AW239-UM		AW239DM-UM	
Air Massage with Ultra Whirlpool	6 point-massage jets, 12 micro-jets with Tsubo massage, 2 2-bhp pumps, inline heater, 20 air jets, heated air blower, Aromatherapy, Ozone, pre-leveled foam base, integrated slotted overflow with toe-tap drain kit in chrome.	AU239-DI	\$10,755	AU239DM-DI	\$11,340
		AU239-UM		AU239DM-UM	
Air Massage Elite with Standard Whirlpool	6 point-massage jets, 2-bhp pump, 30 air jets, heated air blower, Aromatherapy, Chromatherapy LED lighting, Spa Mode, pre-leveled foam base, integrated slotted overflow with toe-tap drain kit in chrome.	AEAP239-DI	\$10,670	AEAP239DM-DI	\$11,250
		AEAP239-UM		AEAP239DM-UM	
Air Massage Elite with Ultra Whirlpool	6 point-massage jets, 12 micro-jets with Tsubo massage, 2 2-bhp pumps, inline heater, 30 air jets, heated air blower, Aromatherapy, Ozone, Chromatherapy LED lighting, Spa Mode, pre-leveled foam base integrated slotted overflow with toe-tap drain kit in chrome.	AEAP239U-DI	\$11,735	AEAP239UDM-DI	\$12,315
		AEAP239U-UM		AEAP239UDM-UM	

RECOMMENDED SENSORY THERAPIES

Chromatherapy

(LE) **\$880** underwater lighting
 2 LED lights included

Audiotherapy

(STEREOBT) **\$1,535** 2 transducers with bluetooth and amplifier
 (STEREOH202) **\$1,740** 4 transducers amplifier not included
 (BTREMOTE) **\$660** bluetooth remote

Thermaltherapy

(RAD100) **\$1,760** Radiance®
 2 heated zones included
 (HTISOAK) **\$910**



For more information on options and accessories go to Acrylic Tub Options at mtibaths.com

Options <i>Must be ordered at time of purchase.</i>
Standard Colors White (CWH) DoloMatte available in matte white only. Biscuit (CBS) Not available for DoloMatte.
Quick Ship reduces lead time (QSPRI) \$475 <i>Please call for availability</i>
Inline Heater maintains water temperature For Soaker or Air Baths (HTISOAK) \$910 Includes a recirculating pump <i>Cannot be combined with Microbubbles.</i>
Virtual Spout high-flow integrated tub filler (FPMJ) \$500 <i>Virtual Spout location is left of the overflow, unless otherwise specified on order.</i>
Grab Bars from \$360 <i>Selections vary. Personalization available.</i>
Textured Bottom (TXTBTM) Acrylic CXL® only \$115 DoloMatte® exceeds ANSI A1371/A326.3 and AS HB198 slip tests.
Low-Profile Rim - reduces rim height to 1" (LPR) \$295
Accessories
Pillows from \$200
Teak Bath Mat (TKMAT3018) \$880 <i>Custom sizes also available. Contact MTI for details and pricing.</i>
Teak Tub Tray Slatted (TK-TRAY1) \$540 Solid (TK-TRAY2) \$615

Hydrotherapy Equipment & Cleaning Systems <i>Must be ordered at time of purchase.</i>
Inline Heater maintains water temperature For Whirlpools or Stream Bath (HTI) \$630 Uses existing pump <i>Cannot be combined with Microbubbles.</i>
Whirlpool Cleaning System Fill-Flush (FFSO) \$650 <i>Must specify stub-out location on order. See page 1 for location options.</i>
Whirlpool Jets Pump upgrade may be advisable for optimal performance when adding jets. Point-Massage Jet Extra Point-Massage Jet (EJ) \$345 Micro-Jet from \$400 <i>Jet styles and packages vary. Personalization available.</i>
Pump Upgrade - 3-bhp (PUMP3) \$345
Jet Trim Kits For Standard Whirlpool Chrome (TRC) \$300 , Brushed Nickel (TRBN) \$800 For Ultra Whirlpool Chrome (TRCU) \$410 , Brushed Nickel (TRBNU) \$1,060
Ozonator (OZONE) \$565 <i>Cannot be added to soakers or airbaths without combination hydrotherapy package or HTISOAK.</i>

Installation Options <i>Must be ordered at time of purchase.</i>
Pre-Leveled Foam Base (PLFOAM) \$325 All airbaths include a pre-leveled foam base.
Pre-Leveled Frame and Foam Base (PLF) \$815
Tile Flange Factory-Installed on 3 sides - rigid ABS (TFK3) \$220 Field Install Kit - includes rigid ABS & adhesive (TFKNI) \$205 IMPORTANT: <i>Must specify flange location(s) on order of Factory-Installed Flange. Not available with optional Low-Profile Rim.</i>

Drains & Overflow Kits <i>Must be ordered at time of purchase</i>
Integrated Toe Tap
Slotted Overflow PVC drain - Chrome (SLOTIOC) included
Finish Upcharge Brushed Nickel (SLOTIOBNU) +\$75 Polished Nickel (SLOTIOPNU) +\$115 White (SLOTIOWHU) +\$75
Round Overflow Chrome (RIOBC) may substitute slotted overflow
Finish Upcharge Brushed Nickel (RIOBN) +\$130 Polished Nickel (RIOPN) +\$130 White (RIOWH) +\$130
Brass Tailpiece (WIOBS) \$95 <i>May be ordered separately</i>