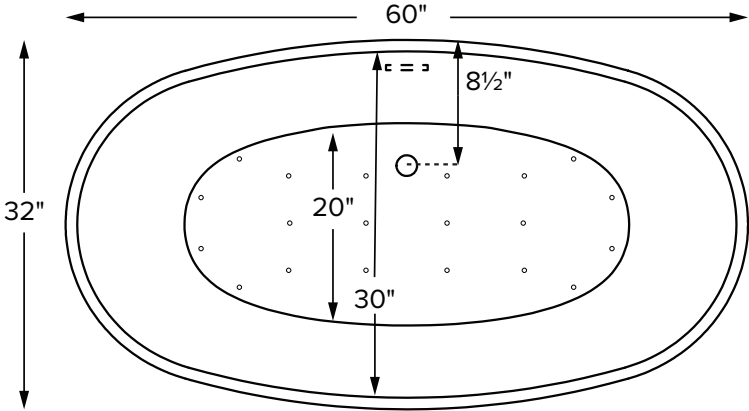


Loretta 4

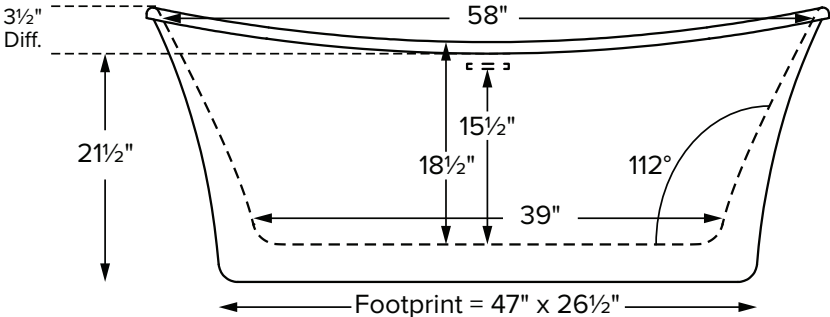
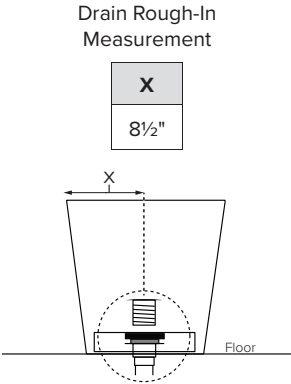


Features an integrated slotted overflow

| | |
|--|--------------------------|
| MODEL 266 | |
| 60" x 32" x 21.5" | |
| FREESTANDING 69 gal to overflow | |
| Acrylic CXL® | DoloMatte® |
| 123 lbs / 56 kg | <SOAKER> 138 lbs / 63 kg |
| Filling this tub to the maximum may require an above average size or dedicated water heater. | |



Shown with Air Massage Package.



ELECTRICAL COMPONENTS & SPECIFICATIONS

| Hydrotherapy Package | Components Included | 110V GFCI |
|----------------------|------------------------------|-----------|
| Air Massage | heated blower | 1-15 amp |
| Air Massage Elite | heated blower, chromatherapy | 1-15 amp |

Electrical requirements may change with the addition of optional therapy components.
See specific option details or installation information.
CSA Certified C/US; B45.5/IAPMO ANSI Z124.1 and ANSI 112.19.7

See the Installation & Operation Manual for more details.
MTI's Customer Service: Monday-Friday 8am-6pm EST
800-783-8827 or service@mtibaths.com

IMPORTANT ORDERING & INSTALLATION INFORMATION:

- Before ordering or installing, please consider future access to equipment.
- Comes equipped with an access panel on the drain side for installation of toe tap drain.
- This tub cannot be ordered without an access panel.
- Air baths require job site preparations for remote mounting the blower and required check valve. Check valve must be installed higher than the rim of the tub.
- Hydrotherapy equipment may ship loose for remote installation depending on tub model. See package content on the following page for details.
- Radiance placed on floor locations will affect placement of air jets.
- Faucet valves cannot be installed on this tub model.
- All tubs are in accordance with CSA B45.5/IAPMO Z124 standard and compliant with ASTM C 1028-07 coefficient of friction. DoloMatte meets ANSI A137.1/A326.3 coefficient of friction and AS HB198:2014 pendulum slip resistance testing.

• Before discarding tub packaging, check for accessories that may be packaged inside.
• All product measurements are ±1/2".
• Specifications and configurations are subject to change without notice.
• Measurements herein supersede all others published prior to publication date below.

For more information on options and accessories go to
Acrylic CXL / DoloMatte Tub Options on mtibaths.com

- Airbath blower and keypad ship loose for remote installation on site.
- Secondary remote check valve must be installed higher than the rim of the tub.
- See the Installation & Operation Manual for more details.

Loretta 4
MODEL 266
60" x 32" x 21.5"

| Hydrotherapy Packages | Package Contents | Acrylic CXL® | | DoloMatte® | |
|-----------------------|---|---------------|----------------|-----------------|-----------------|
| | | Part # | MSRP | Part # | MSRP |
| Soaker | Soaking bath - no jets; includes a pre-leveled foam base and integrated slotted overflow with toe-tap drain kit in chrome. | S266 | \$6,195 | S266DM | \$6,970 |
| Air Massage | 20 air jets, heated air blower, pre-leveled foam base and integrated slotted overflow with toe-tap drain kit in chrome. Blower, control boxes, and keypad must be remote located. | AST266 | \$9,750 | AST266DM | \$10,525 |

RECOMMENDED SENSORY THERAPIES

Thermaltherapy

(RAD100) **\$1,760** Radiance®
2 heated zones included

| Options <i>Must be ordered at time of purchase</i> |
|--|
| Standard Colors White (CWH) DoloMatte available in matte white only. Biscuit (CBS) Not available for DoloMatte. |
| Quick Ship reduces lead time (QSPRI) \$475 <i>Please call for availability</i> |
| Textured Bottom (TXTBTM) Acrylic CXL® only \$115 DoloMatte® exceeds ANSI A137.1/A326.3 and AS HB198 slip tests. |

| Accessories | |
|---|--|
| Pillows from \$200 | |
| Teak Bath Mat (TKMAT3018) \$880 <i>Custom sizes also available. Contact MTI for details and pricing.</i> | |
| Teak Tub Tray Slatted (TK-TRAY1) \$540 Solid (TK-TRAY2) \$615 | |
| Floor-Mounted High-Flow Tub Filler Traditional Brushed Nickel (FILLTBN) \$1,885 | |
| Faucet Stand SculptureStone® Standard | |
| Small 3-hole capacity 14¼" w x 21¾" h Matte (STAND) \$780 | Large 5-hole capacity 22" w x 21¾" h Matte (STANDL) \$925 |

Drains & Overflow Kits *Must be ordered at time of purchase*

Integrated Overflow with Toe Tap

Slotted Overflow

PVC drain - Chrome (SLOTIOC) included

Finish Upcharge

White (SLOTIOWHU) **\$75**

Brushed Nickel (SLOTIOBNU) **\$75**

Polished Nickel (SLOTIOPNU) **\$115**

Brass Tailpiece (WIOBS) \$95

May be ordered separately

Quick Connect Drain - (WOQ) \$510