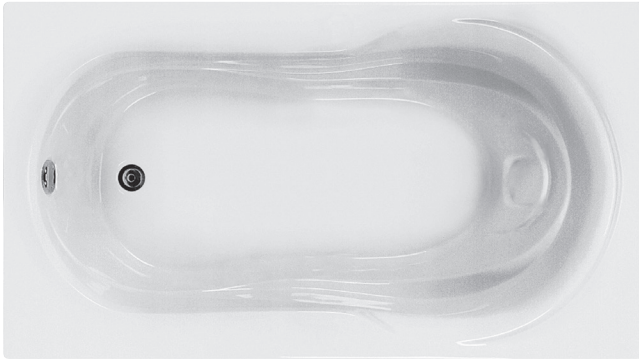
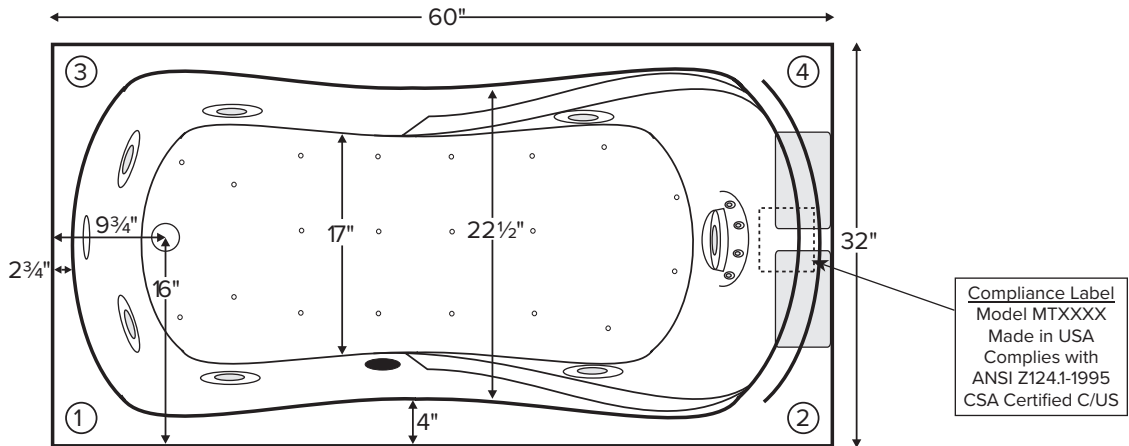


Reflection 4

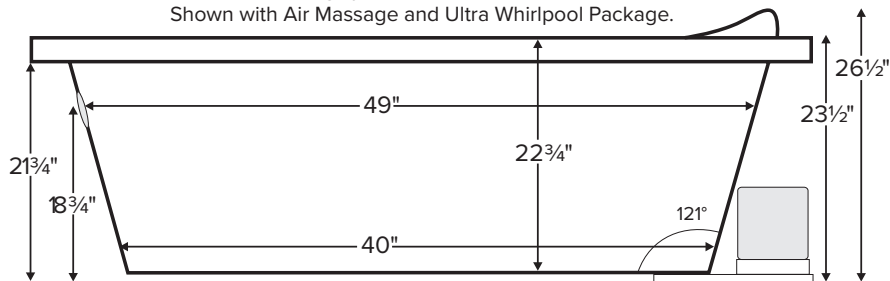


|  |                       |                                    |
|--|-----------------------|------------------------------------|
| <b>MODEL 51</b>  |                       |                                    |
| <b>60" x 32" x 23.5"</b>   |                       |                                    |
| DROP-IN (cannot be undermounted)<br><i>Not recommended as a tub/shower combination</i><br>70 gal to overflow |                       |                                    |
| <b>Acrylic CXL®</b>  |                       | <b>DoloMatte®</b>                  |
| 100 lbs / 45 kg<br>150 lbs / 68 kg   | <SOAKER><br><PLUMBED> | 113 lbs / 51 kg<br>163 lbs / 74 kg |
| Filling this tub to the maximum may require an above average size or dedicated water heater.                 |                       |                                    |



**Compliance Label**  
Model MTXXXX  
Made in USA  
Complies with  
ANSI Z124.1-1995  
CSA Certified C/US

Numbered areas on tub deck represent possible locations to install cleaning systems, faucets and other fixtures. Shown with Air Massage and Ultra Whirlpool Package.



**IMPORTANT:**  
Air baths and tubs with a pre-leveled foam base or frame system add 2-3" to overall tub height.

**IMPORTANT ORDERING & INSTALLATION INFORMATION**

- Before ordering or installing, please consider future access to equipment.
- Add proper bedding compound to fully level and support bottom of tub.
- When equipped with an air bath package, pre-leveled foam base or frame system, overall tub height is increased by approx. 2-3" and is designed to install on a flat, level subfloor.
- Radiance placed on airbath floor will affect placement of air jets.
- System components may extend beyond the perimeter of deck.
- Please measure tub **on-site** before building tub decking.
- Advise MTI when planning to use a glass enclosure. Relocation of controls may be necessary.
- Suction and control locations may vary.
- All tubs are compliant with ASTM C 1028-07 coefficient of friction. DoloMatte meets ANSI A137.1/ A326.3 coefficient of friction and AS HB198:2014 slip tests.

**ELECTRICAL COMPONENTS & SPECIFICATIONS**

| Hydrotherapy Package                    | Components Included                               | GFCI / 110V |
|---|---|-------------|
| <b>Standard Whirlpool</b>               | 2-bhp pump  | 1-15 amp    |
| <b>Stream Bath</b>                      | 1/2-bhp, ozone                                    | 1-20 amp    |
| <b>Microbubbles</b>                     | Microbubbles pump                                 | 1-15 amp    |
| <b>Ultra Whirlpool</b>                  | 3-bhp pump, inline heater, ozone                  | 2-15 amp    |
| <b>Air Massage</b>                      | heated blower                                     | 1-15 amp    |
| <b>Air Massage Elite</b>                | heated blower, chromatherapy                      | 1-15 amp    |
| <b>Air Massage w/ Stream Bath</b>       | 1/2-bhp pump, heated blower, ozone                | 1-20 amp    |
| <b>Air Massage Elite w/ Stream Bath</b> | 1/2-bhp pump, heated blower, chromatherapy, ozone | 1-20 amp    |

| Hydrotherapy Package                  | Components Included  | GFCI / 110V |
|---------------------------------------|--|-------------|
| <b>Microbubbles with Air</b>          | Microbubbles pump, heated blower                               | 1-20 amp    |
| <b>Microbubbles with Air Elite</b>    | Microbubbles pump, heated blower, chromatherapy                | 2-15 amp    |
| <b>Air with Whirlpool</b>             | 2-bhp pump, heated blower                                      | 2-15 amp    |
| <b>Air with Ultra Whirlpool</b>       | 3-bhp pump, inline heater, heated blower, ozone                | 2-20 amp    |
| <b>Air Elite with Whirlpool</b>       | 2-bhp pump, heated blower, chromatherapy                       | 2-15 amp    |
| <b>Air Elite with Ultra Whirlpool</b> | 3-bhp pump, inline heater, heated blower, chromatherapy, ozone | 2-20 amp    |

See the Installation & Operation Manual for more details.  
MTI's Customer Service Monday-Friday 8am-6pm EST  
800-783-8827 or service@mtibaths.com

- Before discarding tub crate, check for accessories that may be packaged inside.
- All product measurements are ±1/2".
- Specifications and configurations are subject to change without notice.
- Measurements herein supersede all others published prior to publication date below.



- Aromatherapy is eliminated for undermount applications
- Air Baths, Pre-Leveled Foam Base or Frame Systems increase overall height by 2-3".

| Hydrotherapy Packages                     | Package Contents  | Acrylic CXL® |          | DoloMatte® |          |
|---|---|--------------|----------|------------|----------|
|   |   | Part #       | MSRP     | Part #     | MSRP     |
| Soaker                                    | Soaking bath - no jets  | S51          | \$2,650  | S51DM      | \$3,235  |
| Stream Bath                               | 6 side vents, 2 end vents, 1/2 bhp pump, Ozone  | SM51         | \$5,130  | SM51DM     | \$5,710  |
| Microbubbles                              | 1 microbubbles infusion port and pump   | M51          | \$5,885  | M51DM      | \$6,470  |
| Air Massage                               | 20 air jets, heated air blower, Aromatherapy, pre-leveled foam base   | AST51        | \$6,205  | AST51DM    | \$6,790  |
| Air Massage Elite                         | 30 air jets, heated air blower, Aromatherapy, Chromatherapy LED lighting, Spa Mode, pre-leveled foam base   | AE51         | \$8,055  | AE51DM     | \$8,635  |
| Stream Bath with Air Massage              | 6 side vents, 2 end vents, 1/2 bhp pump, Ozone, 20 air jets, heated air blower, Aromatherapy, pre-leveled foam base   | ASTSM51      | \$8,195  | ASTSM51DM  | \$8,780  |
| Stream Bath with Air Massage Elite        | 6 side vents, 2 end vents, 1/2 bhp pump, Ozone, 30 air jets, heated air blower, Aromatherapy, Chromatherapy LED lighting, Spa Mode, pre-leveled foam base                       | AESM51       | \$10,240 | AESM51DM   | \$10,820 |
| Microbubbles with Air Massage             | 1 microbubbles infusion port and pump, 20 air jets, heated air blower, Aromatherapy, pre-leveled foam base  | ASTM51       | \$8,850  | ASTM51DM   | \$9,435  |
| Microbubbles with Air Massage Elite       | 1 microbubbles infusion port and pump, 30 air jets, heated air blower, Aromatherapy, Chromatherapy LED lighting, Spa Mode, pre-leveled foam base                                | AEM51        | \$10,605 | AEM51DM    | \$11,190 |
| Standard Whirlpool                        | 5 point-massage jets, 2-bhp pump  | P51          | \$4,955  | P51DM      | \$5,540  |
| Ultra Whirlpool                           | 7 point-massage jets, 4 micro-jets, 3-bhp pump, inline heater, Ozone  | P51U         | \$6,900  | P51UDM     | \$7,480  |
| Air Massage with Standard Whirlpool       | 5 point-massage jets, 2-bhp pump, 20 air jets, heated air blower, Aromatherapy, pre-leveled foam base   | AW51         | \$8,505  | AW51DM     | \$9,090  |
| Air Massage with Ultra Whirlpool          | 7 point-massage jets, 4 micro-jets, 3-bhp pump, inline heater, 20 air jets, heated air blower, Aromatherapy, Ozone, pre-leveled foam base                                       | AU51         | \$10,450 | AU51DM     | \$11,030 |
| Air Massage Elite with Standard Whirlpool | 5 point-massage jets, 2-bhp pump, 30 air jets, heated air blower, Aromatherapy, Chromatherapy LED lighting, Spa Mode, pre-leveled foam base                                     | AEAP51       | \$10,360 | AEAP51DM   | \$10,940 |
| Air Massage Elite with Ultra Whirlpool    | 7 point-massage jets, 4 micro-jets, 3-bhp pump, inline heater, 30 air jets, heated air blower, Aromatherapy, Ozone, Chromatherapy LED lighting, Spa Mode, pre-leveled foam base | AEAP51U      | \$11,425 | AEAP51UDM  | \$12,005 |

RECOMMENDED SENSORY THERAPIES

**Chromatherapy**

(LE) **\$880** underwater lighting  
2 LED lights included

**Audiotherapy**

(STEREOBT) **\$1,535** 2 transducers with bluetooth and amplifier  
(BTREMOTE) **\$660** bluetooth remote  
(STEREOH202) **\$1,740** 4 transducers amplifier not included

**Thermaltherapy**

(RAD100) **\$1,760** Radiance®  
2 heated zones included  
(HTISOAK) **\$910**



For more information on options and accessories go to Acrylic Tub Options at mtibaths.com

|   |
|---|
| <b>Options</b> <i>Must be ordered at time of purchase.</i>  |
| <b>Standard Colors</b> White (CWH) DoloMatte available in matte white only.<br>Biscuit (CBS) Not available for DoloMatte.   |
| <b>Quick Ship</b> reduces lead time (QSPRI) <b>\$475</b><br><i>Please call for availability</i>   |
| <b>Inline Heater</b> maintains water temperature<br><b>For Soaker or Air Baths (HTISOAK) \$910</b><br>Includes a recirculating pump<br><i>Cannot be combined with Microbubbles.</i> |
| <b>Virtual Spout</b> high-flow integrated tub filler (FPMJ) <b>\$500</b><br><i>Virtual Spout location is left of the overflow, unless otherwise specified on order.</i>             |
| <b>Grab Bars</b> from <b>\$360</b><br><i>Selections vary. Personalization available.</i>  |
| <b>Textured Bottom</b> (TXTBTM) Acrylic CXL® only <b>\$115</b><br>DoloMatte® exceeds ANSI A1371/A326.3 and AS HB198 slip tests.   |
| <b>Accessories</b>  |
| <b>Pillows</b> from <b>\$200</b>  |
| <b>Teak Bath Mat</b> (TKMAT3018) <b>\$880</b><br><i>Custom sizes also available. Contact MTI for details and pricing.</i>   |

|   |
|---|
| <b>Hydrotherapy Equipment &amp; Cleaning Systems</b><br><i>Must be ordered at time of purchase.</i>   |
| <b>Inline Heater</b> maintains water temperature<br><b>For Whirlpools or Stream Bath (HTI) \$630</b><br>Uses existing pump<br><i>Cannot be combined with Microbubbles.</i>  |
| <b>Whirlpool Cleaning System</b><br><b>Fill-Flush (FFSO) \$650</b><br><i>Must specify stub-out location on order. See page 1 for location options.</i>  |
| <b>Whirlpool Jets</b> Pump upgrade may be advisable for optimal performance when adding jets.<br><b>Point-Massage Jet</b><br>Extra Point-Massage Jet (EJ) <b>\$345</b><br><b>Micro-Jet</b> from <b>\$400</b><br><i>Jet styles and packages vary. Personalization available.</i> |
| <b>Pump Upgrade</b> - 3-bhp (PUMP3) <b>\$345</b>  |
| <b>Jet Trim Kits</b><br><b>For Standard Whirlpool</b><br>Chrome (TRC) <b>\$300</b> , Brushed Nickel (TRBN) <b>\$800</b><br><b>For Ultra Whirlpool</b><br>Chrome (TRCU) <b>\$410</b> , Brushed Nickel (TRBNU) <b>\$1,060</b>   |
| <b>Ozonator</b> (OZONE) <b>\$565</b><br><i>Cannot be added to soakers or airbaths without combination hydrotherapy package or HTISOAK.</i>  |

**Installation Options** *Must be ordered at time of purchase.*

|   |
|---|
| <b>Pre-Leveled Foam Base</b> (PLFOAM) <b>\$325</b><br>All airbaths include a pre-leveled foam base. |
| <b>Pre-Leveled Frame and Foam Base</b> (PLF) <b>\$815</b>   |

|  |
|--|
| <b>Tile Flange</b><br><b>Factory-Installed on 3 sides</b> - rigid ABS (TFK3) <b>\$220</b><br><b>Field Install Kit</b> - includes rigid ABS & adhesive (TFKN) <b>\$205</b><br><b>IMPORTANT:</b> <i>Must specify flange location(s) on order of Factory-Installed Flange. Not available with optional Low-Profile Rim.</i> |
|--|

**Drains & Overflow Kits**

|  |
|--|
| <b>Cable Driven</b><br><b>Drain Finishes</b> – PVC Drain Kit<br>White/Bone/Biscuit (WOCDW) <b>\$485</b><br>Chrome (W OCD) <b>\$450</b><br>Brushed Nickel (WOCDBN) <b>\$540</b><br>Polished Nickel (WOCDPN) <b>\$595</b><br>Oil-Rubbed Bronze* (WOC DOR) <b>\$610</b><br>Polished Brass (WOCDBR) <b>\$760</b><br>Special Finishes* (WOCDSF) <b>\$1,250</b><br><i>MTI does not offer a brass body cable drain kit.</i> |
| <b>Lift &amp; Turn</b><br><b>Drain Finishes</b> – PVC Drain Kit<br>Chrome (WOC) <b>\$205</b><br>White (WOW) <b>\$270</b><br>Brushed Nickel (WOBN) <b>\$335</b>   |

|  |
|--|
| <b>Toe Tap</b><br><b>Round Overflow</b> – PVC Drain Kit<br>Chrome (WOTTC) <b>\$420</b><br>Brushed Nickel (WOTTBN) <b>\$425</b><br>Polished Nickel (WOTTPN) <b>\$425</b><br>Special Finishes* (WOTT SF) <b>\$1,260</b><br><b>Round Overflow</b> – Solid Brass Drain<br>Chrome (WOTTSBC) <b>\$895</b><br>Brushed Nickel (WOTTSBBN) <b>\$895</b><br>Polished Nickel (WOTTSBPN) <b>\$895</b> |
|--|

\* MTI has selected an oil-rubbed bronze finish that is compatible with Delta and many other manufacturers. To ensure best match, order as a Special Finish and submit a sample.

\* Allow 2-4 weeks lead time for Special Finishes. Send sample for best match.