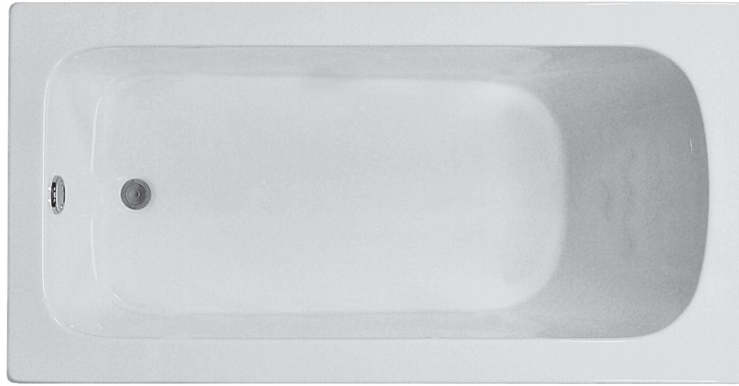
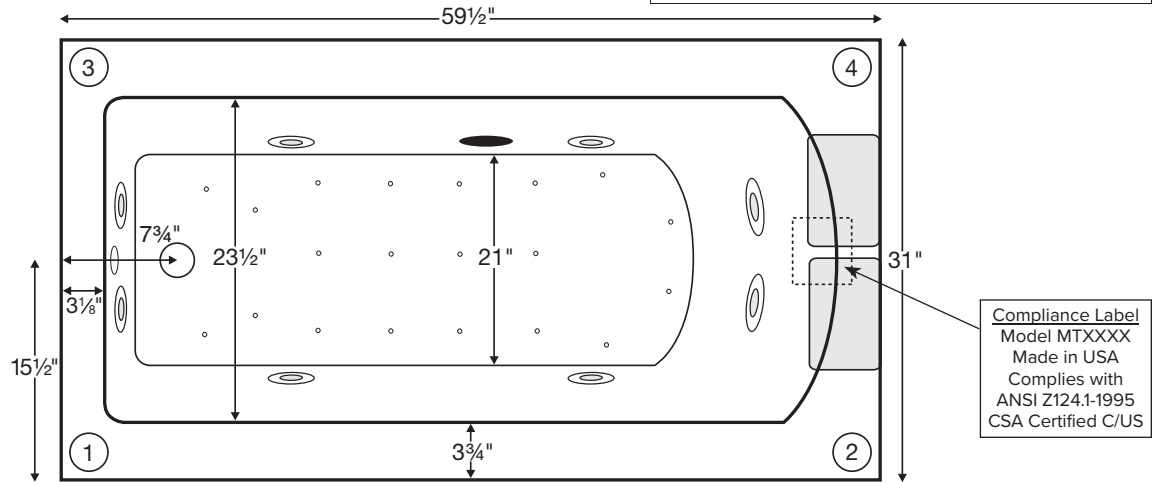


Sophia 1

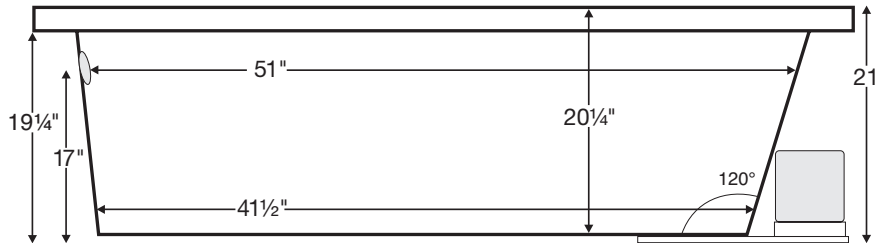


| | |
|--|---------------------------|
| MODEL 55 | |
| 59.5" x 31" x 21" | |
| DROP-IN or UNDERMOUNT 77 gal to overflow | |
| Acrylic CXL® | DoloMatte® |
| 95 lbs / 43 kg | <SOAKER> 107 lbs / 49 kg |
| 118 lbs / 54 kg | <PLUMBED> 130 lbs / 59 kg |
| Filling this tub to the maximum may require an above average size or dedicated water heater. | |



Compliance Label
Model MTXXXX
Made in USA
Complies with
ANSI Z124.1-1995
CSA Certified C/US

Numbered areas on tub deck represent possible locations to install cleaning systems, faucets and other fixtures. Shown with Air Massage and Ultra Whirlpool Package.



IMPORTANT:
Air baths and tubs with a pre-leveled foam base or frame system add 2-3" to overall tub height.

IMPORTANT ORDERING & INSTALLATION INFORMATION

- Before ordering or installing, please consider future access to equipment.
- Add proper bedding compound to fully level and support bottom of tub.
- When equipped with an air bath package, pre-leveled foam base or frame system, overall tub height is increased by approx. 2-3" and is designed to install on a flat, level subfloor.
- Radiance placed on airbath floor will affect placement of air jets.
- System components may extend beyond the perimeter of deck.
- Please measure tub **on-site** before building tub decking.
- Advise MTI when planning to use a glass enclosure. Relocation of controls may be necessary.
- Suction and control locations may vary.
- All tubs are compliant with ASTM C 1028-07 coefficient of friction. DoloMatte meets ANSI A137.1/ A326.3 coefficient of friction and AS HB198:2014 slip tests.

ELECTRICAL COMPONENTS & SPECIFICATIONS

| Hydrotherapy Package | Components Included | GFCI / 110V |
|----------------------------------|---|-------------|
| Standard Whirlpool | 2-bhp pump | 1-15 amp |
| Stream Bath | 1/2-bhp, ozone | 1-20 amp |
| Microbubbles | Microbubbles pump | 1-15 amp |
| Ultra Whirlpool | 2-bhp pump, inline heater, ozone | 2-15 amp |
| Air Massage | heated blower | 1-15 amp |
| Air Massage Elite | heated blower, chromatherapy | 1-15 amp |
| Air Massage w/ Stream Bath | 1/2-bhp pump, heated blower, ozone | 1-20 amp |
| Air Massage Elite w/ Stream Bath | 1/2-bhp pump, heated blower, chromatherapy, ozone | 1-20 amp |

| Hydrotherapy Package | Components Included | GFCI / 110V |
|--------------------------------|--|-------------|
| Microbubbles with Air | Microbubbles pump, heated blower | 1-20 amp |
| Microbubbles with Air Elite | Microbubbles pump, heated blower, chromatherapy | 2-15 amp |
| Air with Whirlpool | 2-bhp pump, heated blower | 2-15 amp |
| Air with Ultra Whirlpool | 2-bhp pump, inline heater, heated blower, ozone | 2-20 amp |
| Air Elite with Whirlpool | 2-bhp pump, heated blower, chromatherapy | 2-15 amp |
| Air Elite with Ultra Whirlpool | 2-bhp pump, inline heater, heated blower, chromatherapy, ozone | 2-20 amp |

See the Installation & Operation Manual for more details.
MTI's Customer Service Monday-Friday 8am-6pm EST
800-783-8827 or service@mtibaths.com

- Before discarding tub crate, check for accessories that may be packaged inside.
- All product measurements are ±1/2".
- Specifications and configurations are subject to change without notice.
- Measurements herein supersede all others published prior to publication date below.



- Aromatherapy is eliminated for undermount applications
- Air Baths, Pre-Levelled Foam Base or Frame Systems increase overall height by 2-3".

Sophia 1
 MODEL 55
 59.5" x 31" x 21"

| Hydrotherapy Packages | Package Contents | Acrylic CXL® | | DoloMatte® | |
|---|---|--------------|----------|--------------|----------|
| | | Part # | MSRP | Part # | MSRP |
| Soaker | Soaking bath - no jets | S55-DI | \$2,755 | S55DM-DI | \$3,340 |
| | | S55-UM | | S55DM-UM | |
| Stream Bath | 6 side vents, 2 end vents, 1/2 bhp pump, Ozone | SM55-DI | \$5,235 | SM55DM-DI | \$5,815 |
| | | SM55-UM | | SM55DM-UM | |
| Microbubbles | 1 microbubbles infusion port and pump | M55-DI | \$5,990 | M55DM-DI | \$6,575 |
| | | M55-UM | | M55DM-UM | |
| Air Massage | 20 air jets, heated air blower, Aromatherapy, pre-leveled foam base | AST55-DI | \$6,310 | AST55DM-DI | \$6,895 |
| | | AST55-UM | | AST55DM-UM | |
| Air Massage Elite | 30 air jets, heated air blower, Aromatherapy, Chromatherapy LED lighting, Spa Mode, pre-leveled foam base | AE55-DI | \$8,160 | AE55DM-DI | \$8,740 |
| | | AE55-UM | | AE55DM-UM | |
| Stream Bath with Air Massage | 6 side vents, 2 end vents, 1/2 bhp pump, Ozone, 20 air jets, heated air blower, Aromatherapy, pre-leveled foam base | ASTSM55-DI | \$8,300 | ASTSM55DM-DI | \$8,885 |
| | | ASTSM55-UM | | ASTSM55DM-UM | |
| Stream Bath with Air Massage Elite | 6 side vents, 2 end vents, 1/2 bhp pump, Ozone, 30 air jets, heated air blower, Aromatherapy, Chromatherapy LED lighting, Spa Mode, pre-leveled foam base | AESM55-DI | \$10,345 | AESM55DM-DI | \$10,925 |
| | | AESM55-UM | | AESM55DM-UM | |
| Microbubbles with Air Massage | 1 microbubbles infusion port and pump, 20 air jets, heated air blower, Aromatherapy, pre-leveled foam base | ASTM55-DI | \$8,955 | ASTM55DM-DI | \$9,540 |
| | | ASTM55-UM | | ASTM55DM-UM | |
| Microbubbles with Air Massage Elite | 1 microbubbles infusion port and pump, 30 air jets, heated air blower, Aromatherapy, Chromatherapy LED lighting, Spa Mode, pre-leveled foam base | AEM55-DI | \$10,710 | AEM55DM-DI | \$11,295 |
| | | AEM55-UM | | AEM55DM-UM | |
| Standard Whirlpool | 6 point-massage jets, 2-bhp pump | P55-DI | \$5,060 | P55DM-DI | \$5,645 |
| | | P55-UM | | P55DM-UM | |
| Ultra Whirlpool | 8 point-massage jets, 2 bhp pump, inline heater, Ozone | P55U-DI | \$7,005 | P55UDM-DI | \$7,585 |
| | | P55U-UM | | P55UDM-UM | |
| Air Massage with Standard Whirlpool | 6 point-massage jets, 2-bhp pump, 20 air jets, heated air blower, Aromatherapy, pre-leveled foam base | AW55-DI | \$8,610 | AW55DM-DI | \$9,195 |
| | | AW55-UM | | AW55DM-UM | |
| Air Massage with Ultra Whirlpool | 8 point-massage jets, 2 bhp pump, inline heater, 20 air jets, heated air blower, Aromatherapy, Ozone, pre-leveled foam base | AU55-DI | \$10,555 | AU55DM-DI | \$11,135 |
| | | AU55-UM | | AU55DM-UM | |
| Air Massage Elite with Standard Whirlpool | 6 point-massage jets, 2-bhp pump, 30 air jets, heated air blower, Aromatherapy, Chromatherapy LED lighting, Spa Mode, pre-leveled foam base | AEAP55-DI | \$10,465 | AEAP55DM-DI | \$11,045 |
| | | AEAP55-UM | | AEAP55DM-UM | |
| Air Massage Elite with Ultra Whirlpool | 8 point-massage jets, 2 bhp pump, inline heater, 30 air jets, heated air blower, Aromatherapy, Ozone, Chromatherapy LED lighting, Spa Mode, pre-leveled foam base | AEAP55U-DI | \$11,530 | AEAP55UDM-DI | \$12,110 |
| | | AEAP55U-UM | | AEAP55UDM-UM | |

RECOMMENDED SENSORY THERAPIES

Chromatherapy

(LE) **\$880** underwater lighting
 2 LED lights included

Audiotherapy

(STEREOBT) **\$1,535** 2 transducers with bluetooth and amplifier
 (BTREMOTE) **\$660** bluetooth remote

(STEREOH202) **\$1,740** 4 transducers amplifier not included

Thermaltherapy

(RAD100) **\$1,760** Radiance®
 2 heated zones included
 (HTISOAK) **\$910**

For more information on options and accessories go to Acrylic Tub Options at mtibaths.com

Sophia 1
MODEL 55

| |
|---|
| Options <i>Must be ordered at time of purchase.</i> |
| Standard Colors White (CWH) DoloMatte available in matte white only. Biscuit (CBS) Not available for DoloMatte. |
| Quick Ship reduces lead time (QSPRI) \$475 <i>Please call for availability</i> |
| Inline Heater maintains water temperature For Soaker or Air Baths (HTISOAK) \$910 Includes a recirculating pump <i>Cannot be combined with Microbubbles.</i> |
| Virtual Spout high-flow integrated tub filler (FPMJ) \$500 <i>Virtual Spout location is left of the overflow, unless otherwise specified on order.</i> |
| Grab Bars from \$360 <i>Selections vary. Personalization available.</i> |
| Textured Bottom (TXTBTM) Acrylic CXL® only \$115 DoloMatte® exceeds ANSI A1371/A326.3 and AS HB198 slip tests. |
| Accessories |
| Pillows from \$200 |
| Teak Bath Mat (TKMAT3018) \$880 <i>Custom sizes also available. Contact MTI for details and pricing.</i> |
| Teak Tub Tray Slatted (TK-TRAY1) \$540 Solid (TK-TRAY2) \$615 |

| |
|---|
| Hydrotherapy Equipment & Cleaning Systems <i>Must be ordered at time of purchase.</i> |
| Inline Heater maintains water temperature For Whirlpools or Stream Bath (HTI) \$630 Uses existing pump <i>Cannot be combined with Microbubbles.</i> |
| Whirlpool Cleaning System Fill-Flush (FFSO) \$650 <i>Must specify stub-out location on order. See page 1 for location options.</i> |
| Whirlpool Jets Pump upgrade may be advisable for optimal performance when adding jets. Point-Massage Jet Extra Point-Massage Jet (EJ) \$345 Micro-Jet from \$400 <i>Jet styles and packages vary. Personalization available.</i> |
| Pump Upgrade - 3-bhp (PUMP3) \$345 |
| Jet Trim Kits For Standard Whirlpool Chrome (TRC) \$300 , Brushed Nickel (TRBN) \$800 For Ultra Whirlpool Chrome (TRCU) \$410 , Brushed Nickel (TRBNU) \$1,060 |
| Ozonator (OZONE) \$565 <i>Cannot be added to soakers or airbaths without combination hydrotherapy package or HTISOAK.</i> |

Installation Options *Must be ordered at time of purchase.*

| | |
|--|---|
| Pre-Levelled Foam Base (PLFOAM) \$325 All airbaths include a pre-levelled foam base. | Tile Flange Factory-Installed on 3 sides - rigid ABS (TFK3) \$220 Field Install Kit - includes rigid ABS & adhesive (TFKNI) \$205 IMPORTANT: <i>Must specify flange location(s) on order of Factory-Installed Flange. Not available with optional Low-Profile Rim.</i> |
| Pre-Levelled Frame and Foam Base (PLF) \$815 | |

Drains & Overflow Kits *Toe Tap Rectangular Overflow must be ordered at time of purchase*

| | | |
|---|--|--|
| Cable Driven Drain Finishes – PVC Drain Kit White/Biscuit (WOCDD) \$485 Chrome (W OCD) \$450 Brushed Nickel (WOCDBN) \$540 Polished Nickel (WOCDPN) \$595 Oil-Rubbed Bronze+ (WOCDDOR) \$610 Polished Brass (WOCDBR) \$760 Special Finishes* (WOCDSF) \$1,250 <i>MTI does not offer a brass body cable drain kit.</i> | Toe Tap Round Overflow – PVC Drain Kit Chrome (WOTTC) \$420 Brushed Nickel (WOTBN) \$425 Polished Nickel (WOTTPN) \$425 Special Finishes* (WOTTSF) \$1,260 Round Overflow – Solid Brass Drain Chrome (WOTTSBC) \$895 Brushed Nickel (WOTTSBBN) \$895 Polished Nickel (WOTTSBPN) \$895 | Toe Tap Rectangular Overflow – PVC Drain Kit Chrome (WOTRC) \$520 Brushed Nickel (WOTRBN) \$475 White (WOTRW) \$580 Lift & Turn Drain Finishes – PVC Drain Kit Chrome (WOC) \$205 White (WOW) \$270 Brushed Nickel (WOBN) \$335 |
|---|--|--|

Slim-Line Overflow with Toe Tap Drain *Must be ordered at time of purchase.*

| | | |
|---|---|---|
| <ul style="list-style-type: none"> Low profile overflow is factory installed Overflow measures 4.5" x 1" Provides a deeper soak Not available for commercial applications | Slim-Line Overflow with Toe Tap Drain PVC Drain Chrome (SLOT C) \$550 Brushed Nickel (SLOTBN) \$585 Polished Nickel (SLOT PN) \$615 White (SLOTW) \$475 | Slim-Line Overflow with Toe Tap Drain Solid Brass Drain Chrome (SLOTSBC) \$1,025 Brushed Nickel (SLOTSBBN) \$1,030 Polished Nickel (SLOTSBPN) \$1,030 White (SLOTSBW) \$1,065 |
|---|---|---|

* MTI has selected an oil-rubbed bronze finish that is compatible with Delta and many other manufacturers. To ensure best match, order as a Special Finish and submit a sample.

* Allow 2-4 weeks lead time for Special Finishes. Send sample for best match.