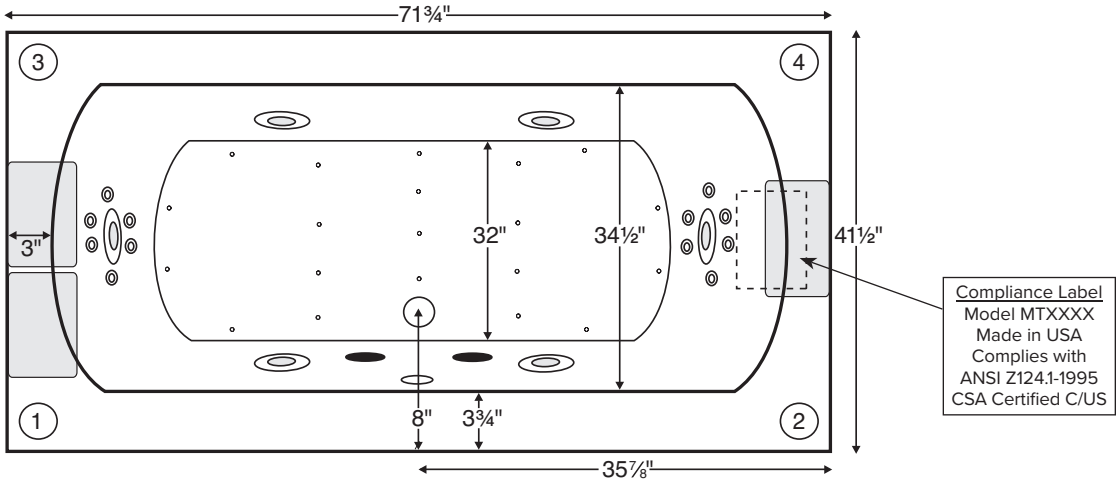


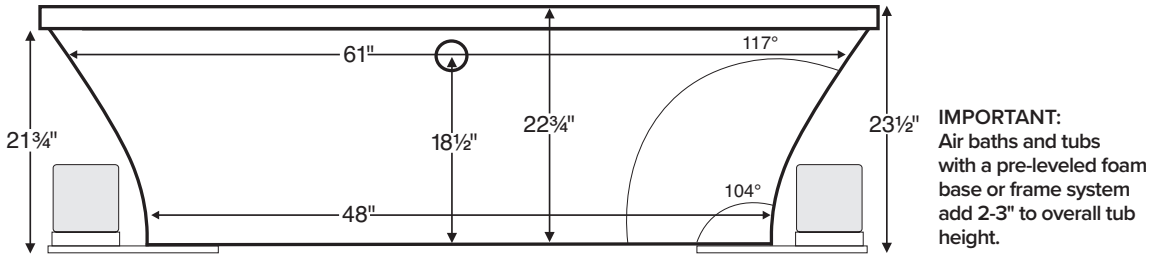
Sophia 2



MODEL 61		
71.5" x 41.5" x 23.5"		
DROP-IN or UNDERMOUNT 105 gal to overflow		
<b>Acrylic CXL®</b>	<b>DoloMatte®</b>	
136 lbs / 62 kg	<SOAKER>	153 lbs / 69 kg
159 lbs / 72 kg	<PLUMBED>	179 lbs / 81 kg
Filling this tub to the maximum may require an above average size or dedicated water heater.		



Numbered areas on tub deck represent possible locations to install cleaning systems, faucets and other fixtures. Shown with Air Massage and Ultra Whirlpool Package.



**IMPORTANT ORDERING & INSTALLATION INFORMATION**

- Before ordering or installing, please consider future access to equipment.
- Add proper bedding compound to fully level and support bottom of tub.
- When equipped with an air bath package, pre-leveled foam base or frame system, overall tub height is increased by approx. 2-3" and is designed to install on a flat, level subfloor.
- Radiance placed on airbath floor will affect placement of air jets.
- System components may extend beyond the perimeter of deck.
- Please measure tub **on-site** before building tub decking.
- Advise MTI when planning to use a glass enclosure. Relocation of controls may be necessary.
- Suction and control locations may vary.
- All tubs are compliant with ASTM C 1028-07 coefficient of friction. DoloMatte meets ANSI A137.1/ A326.3 coefficient of friction and AS HB198:2014 slip tests.

**ELECTRICAL COMPONENTS & SPECIFICATIONS**

Hydrotherapy Package	Components Included	GFCI / 110V
Standard Whirlpool	2-bhp pump	1-15 amp
Stream Bath	1/2-bhp, ozone	1-20 amp
Microbubbles	Microbubbles pump	1-15 amp
Ultra Whirlpool	2-bhp pump x 2, inline heater, ozone	2-20 amp
Air Massage	heated blower	1-15 amp
Air Massage Elite	heated blower, chromatherapy	1-15 amp
Air Massage w/ Stream Bath	1/2-bhp pump, heated blower, ozone	1-20 amp
Air Massage Elite w/ Stream Bath	1/2-bhp pump, heated blower, chromatherapy, ozone	1-20 amp

Hydrotherapy Package	Components Included	GFCI / 110V
Microbubbles with Air	Microbubbles pump, heated blower	1-20 amp
Microbubbles with Air Elite	Microbubbles pump, heated blower, chromatherapy	2-15 amp
Air with Whirlpool	2-bhp pump, heated blower	2-15 amp
Air with Ultra Whirlpool	2-bhp pump x 2, inline heater, heated blower, ozone	2-20 amp
Air Elite with Whirlpool	2-bhp pump, heated blower, chromatherapy	2-15 amp
Air Elite with Ultra Whirlpool	2-bhp pump x 2, inline heater, heated blower, chromatherapy, ozone	2-20 amp

See the Installation & Operation Manual for more details. MTI's Customer Service Monday-Friday 8am-6pm EST 800-783-8827 or service@mtibaths.com

- Before discarding tub crate, check for accessories that may be packaged inside.
- All product measurements are ±1/2".
- Specifications and configurations are subject to change without notice.
- Measurements herein supersede all others published prior to publication date below.



- Aromatherapy is eliminated for undermount applications
- Air Baths, Pre-Levelled Foam Base or Frame Systems increase overall height by 2-3".

Hydrotherapy Packages	Package Contents	Acrylic CXL®		DoloMatte®	
		Part #	MSRP	Part #	MSRP
Soaker	Soaking bath - no jets	S61-DI	\$3,040	S61DM-DI	\$3,625
		S61-UM		S61DM-UM	
Stream Bath	6 side vents, 2 end vents, 1/2 bhp pump, Ozone	SM61-DI	\$5,520	SM61DM-DI	\$6,100
		SM61-UM		SM61DM-UM	
Microbubbles	1 microbubbles infusion port and pump	M61-DI	\$6,275	M61DM-DI	\$6,855
		M61-UM		M61DM-UM	
Air Massage	20 air jets, heated air blower, Aromatherapy, pre-leveled foam base	AST61-DI	\$6,595	AST61DM-DI	\$7,175
		AST61-UM		AST61DM-UM	
Air Massage Elite	30 air jets, heated air blower, Aromatherapy, Chromatherapy LED lighting, Spa Mode, pre-leveled foam base	AE61-DI	\$8,440	AE61DM-DI	\$9,025
		AE61-UM		AE61DM-UM	
Stream Bath with Air Massage	6 side vents, 2 end vents, 1/2 bhp pump, Ozone, 20 air jets, heated air blower, Aromatherapy, pre-leveled foam base	ASTSM61-DI	\$8,585	ASTSM61DM-DI	\$9,165
		ASTSM61-UM		ASTSM61DM-UM	
Stream Bath with Air Massage Elite	6 side vents, 2 end vents, 1/2 bhp pump, Ozone, 30 air jets, heated air blower, Aromatherapy, Chromatherapy LED lighting, Spa Mode, pre-leveled foam base	AESM61-DI	\$10,625	AESM61DM-DI	\$11,210
		AESM61-UM		AESM61DM-UM	
Microbubbles with Air Massage	1 microbubbles infusion port and pump, 20 air jets, heated air blower, Aromatherapy, pre-leveled foam base	ASTM61-DI	\$9,240	ASTM61DM-DI	\$9,825
		ASTM61-UM		ASTM61DM-UM	
Microbubbles with Air Massage Elite	1 microbubbles infusion port and pump, 30 air jets, heated air blower, Aromatherapy, Chromatherapy LED lighting, Spa Mode, pre-leveled foam base	AEM61-DI	\$10,995	AEM61DM-DI	\$11,575
		AEM61-UM		AEM61DM-UM	
Standard Whirlpool	6 point-massage jets, 2-bhp pump	P61-DI	\$5,345	P61DM-DI	\$5,925
		P61-UM		P61DM-UM	
Ultra Whirlpool	6 point-massage jets, 12 micro-jets with Tsubo massage, 2 2-bhp pumps, inline heater, Ozone	P61U-DI	\$7,285	P61UDM-DI	\$7,870
		P61U-UM		P61UDM-UM	
Air Massage with Standard Whirlpool	6 point-massage jets, 2-bhp pump, 20 air jets, heated air blower, Aromatherapy, pre-leveled foam base	AW61-DI	\$8,895	AW61DM-DI	\$9,475
		AW61-UM		AW61DM-UM	
Air Massage with Ultra Whirlpool	6 point-massage jets, 12 micro-jets with Tsubo massage, 2 2-bhp pumps, inline heater, 20 air jets, heated air blower, Aromatherapy, Ozone, pre-leveled foam base	AU61-DI	\$10,835	AU61DM-DI	\$11,420
		AU61-UM		AU61DM-UM	
Air Massage Elite with Standard Whirlpool	6 point-massage jets, 2-bhp pump, 30 air jets, heated air blower, Aromatherapy, Chromatherapy LED lighting, Spa Mode, pre-leveled foam base	AEAP61-DI	\$10,745	AEAP61DM-DI	\$11,330
		AEAP61-UM		AEAP61DM-UM	
Air Massage Elite with Ultra Whirlpool	6 point-massage jets, 12 micro-jets with Tsubo massage, 2 2-bhp pumps, inline heater, 30 air jets, heated air blower, Aromatherapy, Ozone, Chromatherapy LED lighting, Spa Mode, pre-leveled foam base	AEAP61U-DI	\$11,815	AEAP61UDM-DI	\$12,395
		AEAP61U-UM		AEAP61UDM-UM	

RECOMMENDED SENSORY THERAPIES

**Chromatherapy**

(LE) **\$880** underwater lighting  
2 LED lights included

**Audiotherapy**

(STEREOBT) **\$1,535** 2 transducers with bluetooth and amplifier  
(BTREMOTE) **\$660** bluetooth remote

(STEREOH202) **\$1,740** 4 transducers amplifier not included

**Thermaltherapy**

(RAD100) **\$1,760** Radiance®  
2 heated zones included  
(HTISOAK) **\$910**



For more information on options and accessories go to Acrylic Tub Options at mtibaths.com

<b>Options</b> <i>Must be ordered at time of purchase.</i>
<b>Standard Colors</b> White (CWH) DoloMatte available in matte white only. Biscuit (CBS) Not available for DoloMatte.
<b>Quick Ship</b> reduces lead time (QSPRI) <b>\$475</b> <i>Please call for availability</i>
<b>Inline Heater</b> maintains water temperature <b>For Soaker or Air Baths (HTISOAK) \$910</b> Includes a recirculating pump <i>Cannot be combined with Microbubbles.</i>
<b>Virtual Spout</b> high-flow integrated tub filler (FPMJ) <b>\$500</b> <i>Virtual Spout location is left of the overflow, unless otherwise specified on order.</i>
<b>Grab Bars</b> from <b>\$360</b> <i>Selections vary. Personalization available.</i>
<b>Textured Bottom (TXTBTM)</b> Acrylic CXL® only <b>\$115</b> DoloMatte® exceeds ANSI A1371/A326.3 and AS HB198 slip tests.
<b>Accessories</b>
<b>Pillows</b> from <b>\$200</b>
<b>Teak Bath Mat (TKMAT3018) \$880</b> <i>Custom sizes also available. Contact MTI for details and pricing.</i>
<b>Teak Tub Tray</b> Slatted (TK-TRAY1) <b>\$540</b> Solid (TK-TRAY2) <b>\$615</b>

<b>Hydrotherapy Equipment &amp; Cleaning Systems</b> <i>Must be ordered at time of purchase.</i>
<b>Inline Heater</b> maintains water temperature <b>For Whirlpools or Stream Bath (HTI) \$630</b> Uses existing pump <i>Cannot be combined with Microbubbles.</i>
<b>Whirlpool Cleaning System</b> <b>Fill-Flush (FFSO) \$650</b> <i>Must specify stub-out location on order. See page 1 for location options.</i>
<b>Whirlpool Jets</b> Pump upgrade may be advisable for optimal performance when adding jets. <b>Point-Massage Jet</b> Extra Point-Massage Jet (EJ) <b>\$345</b> <b>Micro-Jet</b> from <b>\$400</b> <i>Jet styles and packages vary. Personalization available.</i>
<b>Pump Upgrade - 3-bhp (PUMP3) \$345</b>
<b>Jet Trim Kits</b> <b>For Standard Whirlpool</b> Chrome (TRC) <b>\$300</b> , Brushed Nickel (TRBN) <b>\$800</b> <b>For Ultra Whirlpool</b> Chrome (TRCU) <b>\$410</b> , Brushed Nickel (TRBNU) <b>\$1,060</b>
<b>Ozonator (OZONE) \$565</b> <i>Cannot be added to soakers or airbaths without combination hydrotherapy package or HTISOAK.</i>

**Installation Options** *Must be ordered at time of purchase.*

<b>Pre-Leveled Foam Base (PLFOAM) \$325</b> All airbaths include a pre-leveled foam base.	<b>Tile Flange</b> <b>Factory-Installed on 3 sides - rigid ABS (TFK3) \$220</b> <b>Field Install Kit - includes rigid ABS &amp; adhesive (TFKNI) \$205</b> <b>IMPORTANT:</b> <i>Must specify flange location(s) on order of Factory-Installed Flange. Not available with optional Low-Profile Rim.</i>
<b>Pre-Leveled Frame and Foam Base (PLF) \$815</b>	

**Drains & Overflow Kits** *Toe Tap Rectangular Overflow must be ordered at time of purchase*

<b>Cable Driven</b> <b>Drain Finishes – PVC Drain Kit</b> White/Biscuit (WOCDD) <b>\$485</b> Chrome (WOC) <b>\$450</b> Brushed Nickel (WOCDBN) <b>\$540</b> Polished Nickel (WOCDPN) <b>\$595</b> Oil-Rubbed Bronze+ (WOCDDOR) <b>\$610</b> Polished Brass (WOCDBR) <b>\$760</b> Special Finishes* (WOCDSF) <b>\$1,250</b> <i>MTI does not offer a brass body cable drain kit.</i>	<b>Toe Tap</b> <b>Round Overflow – PVC Drain Kit</b> Chrome (WOTTC) <b>\$420</b> Brushed Nickel (WOTBN) <b>\$425</b> Polished Nickel (WOTPN) <b>\$425</b> Special Finishes* (WOTTSF) <b>\$1,260</b> <b>Round Overflow – Solid Brass Drain</b> Chrome (WOTTSBC) <b>\$895</b> Brushed Nickel (WOTTSBBN) <b>\$895</b> Polished Nickel (WOTTSBPN) <b>\$895</b>	<b>Toe Tap</b> <b>Rectangular Overflow – PVC Drain Kit</b> Chrome (WOTRC) <b>\$520</b> Brushed Nickel (WOTRBN) <b>\$475</b> White (WOTRW) <b>\$580</b> <b>Lift &amp; Turn</b> <b>Drain Finishes – PVC Drain Kit</b> Chrome (WOC) <b>\$205</b> White (WOW) <b>\$270</b> Brushed Nickel (WOBN) <b>\$335</b>
---	---	--

**Slim-Line Overflow with Toe Tap Drain** *Must be ordered at time of purchase.*

<ul style="list-style-type: none"> <li>Low profile overflow is factory installed</li> <li>Overflow measures 4.5" x 1"</li> <li>Provides a deeper soak</li> <li>Not available for commercial applications</li> </ul>	<b>Slim-Line Overflow with Toe Tap Drain</b> PVC Drain Chrome (SLOT) <b>\$550</b> Brushed Nickel (SLOTBN) <b>\$585</b> Polished Nickel (SLOTBN) <b>\$615</b> White (SLOTW) <b>\$475</b>	<b>Slim-Line Overflow with Toe Tap Drain</b> Solid Brass Drain Chrome (SLOTSBC) <b>\$1,025</b> Brushed Nickel (SLOTSBPN) <b>\$1,030</b> Polished Nickel (SLOTSBPN) <b>\$1,030</b> White (SLOTSBW) <b>\$1,065</b>
---	--	---

\* MTI has selected an oil-rubbed bronze finish that is compatible with Delta and many other manufacturers. To ensure best match, order as a Special Finish and submit a sample.

\* Allow 2-4 weeks lead time for Special Finishes. Send sample for best match.