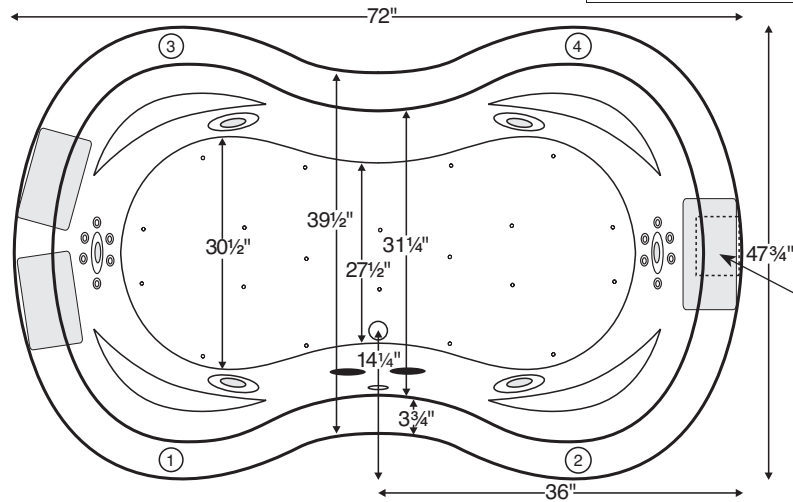


Eternity

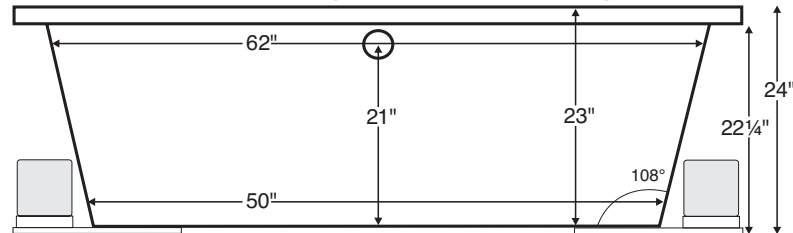


| | |
|---|---|
| MODEL 63 | |
| 72" x 47.75" x 24" | |
| DROP-IN or UNDERMOUNT <i>Not recommended as a tub/shower combination</i> 130 gal to overflow | |
| Acrylic CXL® | DoloMatte® |
| 146 lbs / 66 kg 159 lbs / 72 kg | <SOAKER> 164 lbs / 74 kg <PLUMBED> 179 lbs / 81 kg |
| Filling this tub to the maximum may require an above average size or dedicated water heater. | |



Compliance Label
Model MTXXXX
Made in USA
Complies with
ANSI Z124.1-1995
CSA Certified C/US

Numbered areas on tub deck represent possible locations to install cleaning systems, faucets and other fixtures. Shown with Air Massage and Ultra Whirlpool Package.



IMPORTANT:
Air baths and tubs with a pre-leveled foam base add 2-3" to overall tub height.

IMPORTANT ORDERING & INSTALLATION INFORMATION

- Before ordering or installing, please consider future access to equipment.
- Add proper bedding compound to fully level and support bottom of tub.
- When equipped with an air bath package, pre-leveled foam base or frame system, overall tub height is increased by approx. 2-3" and is designed to install on a flat, level subfloor.
- Radiance placed on airbath floor will affect placement of air jets.
- System components may extend beyond the perimeter of deck.
- Please measure tub **on-site** before building tub decking.
- Advise MTI when planning to use a glass enclosure. Relocation of controls may be necessary.
- Suction and control locations may vary.
- All tubs are compliant with ASTM C 1028-07 coefficient of friction. DoloMatte meets ANSI A137.1/ A326.3 coefficient of friction and AS HB198:2014 slip tests.

ELECTRICAL COMPONENTS & SPECIFICATIONS

| Hydrotherapy Package | Components Included | GFCI / 110V |
|---------------------------|--------------------------------------|-------------|
| Standard Whirlpool | 2-bhp pump | 1-15 amp |
| Microbubbles | Microbubbles pump | 1-15 amp |
| Ultra Whirlpool | 2-bhp pump x 2, inline heater, ozone | 2-20 amp |
| Air Massage | heated blower | 1-15 amp |
| Air Massage Elite | heated blower, chromatherapy | 1-15 amp |

Electrical requirements may change with the addition of optional therapy components. See specific option details or installation information.
CSA Certified C/US; B45.5/IAPMO ANSI Z124.1 and ANSI 112.19.7

| Hydrotherapy Package | Components Included | GFCI / 110V |
|---------------------------------------|--|-------------|
| Microbubbles with Air | Microbubbles pump, heated blower | 1-20 amp |
| Microbubbles with Air Elite | Microbubbles pump, heated blower, chromatherapy | 2-15 amp |
| Air with Whirlpool | 2-bhp pump, heated blower | 2-15 amp |
| Air with Ultra Whirlpool | 2-bhp pump x 2, inline heater, heated blower, ozone | 2-20 amp |
| Air Elite with Whirlpool | 2-bhp pump, heated blower, chromatherapy | 2-15 amp |
| Air Elite with Ultra Whirlpool | 2-bhp pump x 2, inline heater, heated blower, chromatherapy, ozone | 2-20 amp |

See the Installation & Operation Manual for more details.
MTI's Customer Service Monday-Friday 8am-6pm EST
800-783-8827 or service@mtibaths.com

- Before discarding tub crate, check for accessories that may be packaged inside.
- All product measurements are ±1/2".
- Specifications and configurations are subject to change without notice.
- Measurements herein supersede all others published prior to publication date below.



Eternity

MODEL 63

72" x 47.75" x 24"

- Aromatherapy is eliminated for undermount applications
- Air Baths, Pre-Leveled Foam Base or Frame Systems increase overall height by 2-3".

| Hydrotherapy Packages | Package Contents | Acrylic CXL® | | DoloMatte® | |
|---|--|--------------|----------|--------------|----------|
| | | Part # | MSRP | Part # | MSRP |
| Soaker | Soaking bath - no jets | S63-DI | \$3,245 | S63DM-DI | \$3,825 |
| | | S63-UM | | S63DM-UM | |
| Microbubbles | 1 microbubbles infusion port and pump | M63-DI | \$6,480 | M63DM-DI | \$7,060 |
| | | M63-UM | | M63DM-UM | |
| Air Massage | 20 air jets, heated air blower, Aromatherapy, pre-leveled foam base | AST63-DI | \$6,800 | AST63DM-DI | \$7,380 |
| | | AST63-UM | | AST63DM-UM | |
| Air Massage Elite | 30 air jets, heated air blower, Aromatherapy, Chromatherapy LED lighting, Spa Mode, pre-leveled foam base | AE63-DI | \$8,645 | AE63DM-DI | \$9,230 |
| | | AE63-UM | | AE63DM-UM | |
| Microbubbles with Air Massage | 1 microbubbles infusion port and pump, 20 air jets, heated air blower, Aromatherapy, pre-leveled foam base | ASTM63-DI | \$9,445 | ASTM63DM-DI | \$10,030 |
| | | ASTM63-UM | | ASTM63DM-UM | |
| Microbubbles with Air Massage Elite | 1 microbubbles infusion port and pump, 30 air jets, heated air blower, Aromatherapy, Chromatherapy LED lighting, Spa Mode, pre-leveled foam base | AEM63-DI | \$11,200 | AEM63DM-DI | \$11,780 |
| | | AEM63-UM | | AEM63DM-UM | |
| Standard Whirlpool | 6 point-massage jets, 2-bhp pump, inline heater | P63-DI | \$5,550 | P63DM-DI | \$6,130 |
| | | P63-UM | | P63DM-UM | |
| Ultra Whirlpool | 6 point-massage jets, 12 micro-jets with Tsubo massage, 2 2-bhp pumps, inline heater, Ozone | P63U-DI | \$7,490 | P63UDM-DI | \$8,075 |
| | | P63U-UM | | P63UDM-UM | |
| Air Massage with Standard Whirlpool | 6 point-massage jets, 2-bhp pump, inline heater, 20 air jets, heated air blower, Aromatherapy, pre-leveled foam base | AW63-DI | \$9,100 | AW63DM-DI | \$9,680 |
| | | AW63-UM | | AW63DM-UM | |
| Air Massage with Ultra Whirlpool | 6 point-massage jets, 12 micro-jets with Tsubo massage, 2 2-bhp pumps, inline heater, 20 air jets, heated air blower, Aromatherapy, Ozone, pre-leveled foam base | AU63-DI | \$11,040 | AU63DM-DI | \$11,625 |
| | | AU63-UM | | AU63DM-UM | |
| Air Massage Elite with Standard Whirlpool | 6 point-massage jets, 2-bhp pump, inline heater, 30 air jets, heated air blower, Aromatherapy, Chromatherapy LED lighting, Spa Mode, pre-leveled foam base | AEAP63-DI | \$10,950 | AEAP63DM-DI | \$11,535 |
| | | AEAP63-UM | | AEAP63DM-UM | |
| Air Massage Elite with Ultra Whirlpool | 6 point-massage jets, 12 micro-jets with Tsubo massage, 2 2-bhp pumps, inline heater, 30 air jets, heated air blower, Aromatherapy, Ozone, Chromatherapy LED lighting, Spa Mode, pre-leveled foam base | AEAP63U-DI | \$12,015 | AEAP63UDM-DI | \$12,600 |
| | | AEAP63U-UM | | AEAP63UDM-UM | |

RECOMMENDED SENSORY THERAPIES

Chromatherapy

(LE) **\$880** underwater lighting
2 LED lights included

Audiotherapy

(STEREOBT) **\$1,535** 2 transducers with bluetooth and amplifier
(BTREMOTE) **\$660** bluetooth remote
(STEREOH202) **\$1,740** 4 transducers amplifier not included

Thermaltherapy

(RAD100) **\$1,760** Radiance®
2 heated zones included
(HTISOAK) **\$910**

For more information on options and accessories go to Acrylic Tub Options at mtibaths.com

| |
|---|
| Options <i>Must be ordered at time of purchase.</i> |
| Standard Colors White (CWH) DoloMatte available in matte white only. Biscuit (CBS) Not available for DoloMatte. |
| Quick Ship reduces lead time (QSPRI) \$475 <i>Please call for availability</i> |
| Inline Heater maintains water temperature For Soaker or Air Baths (HTISOAK) \$910 Includes a recirculating pump <i>Cannot be combined with Microbubbles.</i> |
| Virtual Spout high-flow integrated tub filler (FPMJ) \$500 <i>Virtual Spout location is left of the overflow, unless otherwise specified on order.</i> |
| Grab Bars from \$360 <i>Selections vary. Personalization available.</i> |
| Textured Bottom (TXTBTM) Acrylic CXL® only \$115 DoloMatte® exceeds ANSI A1371/A326.3 and AS HB198 slip tests. |
| Accessories |
| Pillows from \$200 |
| Teak Bath Mat (TKMAT3018) \$880 <i>Custom sizes also available. Contact MTI for details and pricing.</i> |

| |
|---|
| Hydrotherapy Equipment & Cleaning Systems <i>Must be ordered at time of purchase.</i> |
| Inline Heater maintains water temperature For Whirlpools or Stream Bath (HTI) \$630 Uses existing pump <i>Cannot be combined with Microbubbles.</i> |
| Whirlpool Cleaning System Fill-Flush (FFSO) \$650 <i>Must specify stub-out location on order. See page 1 for location options.</i> |
| Whirlpool Jets Pump upgrade may be advisable for optimal performance when adding jets. Point-Massage Jet Extra Point-Massage Jet (EJ) \$345 Micro-Jet from \$400 <i>Jet styles and packages vary. Personalization available.</i> |
| Pump Upgrade - 3-bhp (PUMP3) \$345 |
| Jet Trim Kits For Standard Whirlpool Chrome (TRC) \$300 , Brushed Nickel (TRBN) \$800 For Ultra Whirlpool Chrome (TRCU) \$410 , Brushed Nickel (TRBNU) \$1,060 |
| Ozonator (OZONE) \$565 <i>Cannot be added to soakers or airbaths without combination hydrotherapy package or HTISOAK.</i> |

Installation Options *Must be ordered at time of purchase.*

Pre-Leveled Foam Base (PLFOAM) \$325
All airbaths include a pre-leveled foam base.

Drains & Overflow Kits

| |
|---|
| Cable Driven |
| Drain Finishes – PVC Drain Kit |
| White/Bone/Biscuit (WOCDDW) \$485 |
| Chrome (WOCDD) \$450 |
| Brushed Nickel (WOCDBN) \$540 |
| Polished Nickel (WOCDDPN) \$595 |
| Oil-Rubbed Bronze† (WOCDDOR) \$610 |
| Polished Brass (WOCDDBR) \$760 |
| Special Finishes* (WOCDDSF) \$1,250 |
| <i>MTI does not offer a brass body cable drain kit.</i> |
| Lift & Turn |
| Drain Finishes – PVC Drain Kit |
| Chrome (WOC) \$205 |
| White (WOW) \$270 |
| Brushed Nickel (WOBN) \$335 |

| |
|---|
| Toe Tap |
| Round Overflow – PVC Drain Kit |
| Chrome (WOTTC) \$420 |
| Brushed Nickel (WOTTBN) \$425 |
| Polished Nickel (WOTTPN) \$425 |
| Special Finishes* (WOTTSF) \$1,260 |
| Round Overflow – Solid Brass Drain |
| Chrome (WOTTSBC) \$895 |
| Brushed Nickel (WOTTSBBN) \$895 |
| Polished Nickel (WOTTSBPN) \$895 |

† MTI has selected an oil-rubbed bronze finish that is compatible with Delta and many other manufacturers. To ensure best match, order as a Special Finish and submit a sample.

* Allow 2-4 weeks lead time for Special Finishes. Send sample for best match.