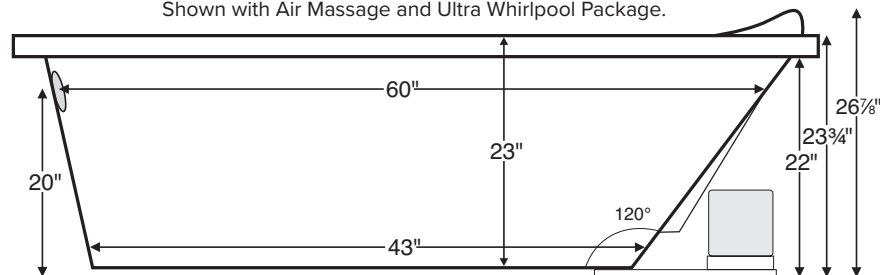
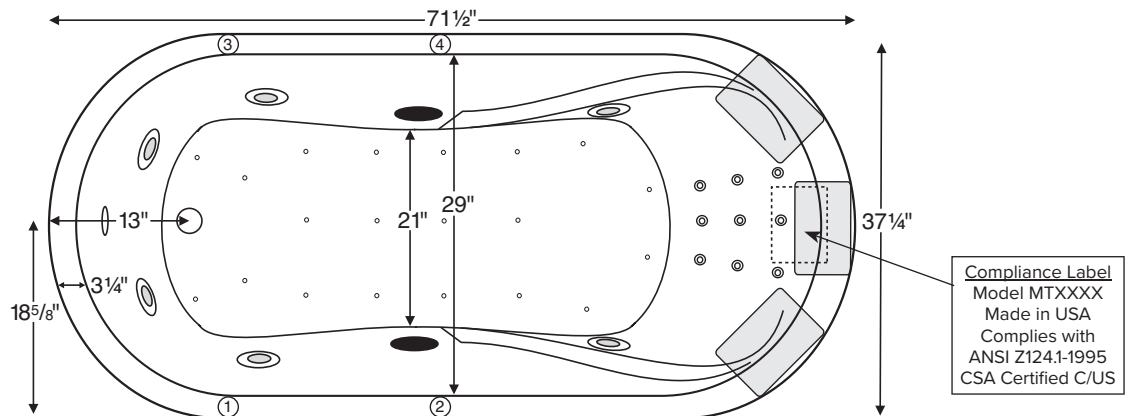


Solitude



MODEL 70		
71.5" x 37.25" x 23.75"		
DROP-IN (cannot be undermounted) <i>Not recommended as a tub/shower combination</i> 87 gal to overflow		
Acrylic CXL®		DoloMatte®
100 lbs / 45 kg	<SOAKER>	113 lbs / 51 kg
185 lbs / 84 kg	<PLUMBED>	208 lbs / 84 kg
Filling this tub to the maximum may require an above average size or dedicated water heater.		



IMPORTANT ORDERING & INSTALLATION INFORMATION

- Before ordering or installing, please consider future access to equipment.
- Add proper bedding compound to fully level and support bottom of tub.
- When equipped with an air bath package, pre-leveled foam base or frame system, overall tub height is increased by approx. 2-3" and is designed to install on a flat, level subfloor.
- Radiance placed on airbath floor will affect placement of air jets.
- System components may extend beyond the perimeter of deck.
- Please measure tub **on-site** before building tub decking.
- Advise MTI when planning to use a glass enclosure. Relocation of controls may be necessary.
- Suction and control locations may vary.
- All tubs are compliant with ASTM C 1028-07 coefficient of friction. DoloMatte meets ANSI A137.1/ A326.3 coefficient of friction and AS HB198:2014 slip tests.

ELECTRICAL COMPONENTS & SPECIFICATIONS

Hydrotherapy Package	Components Included	GFCI / 110V
Standard Whirlpool	2-bhp pump	1-15 amp
Stream Bath	½-bhp, ozone	1-20 amp
Microbubbles	Microbubbles pump	1-15 amp
Ultra Whirlpool	2-bhp pump x 2, inline heater, ozone	2-20 amp
Air Massage	heated blower	1-15 amp
Air Massage Elite	heated blower, chromatherapy	1-15 amp
Air Massage w/ Stream Bath	½-bhp pump, heated blower, ozone	1-20 amp
Air Massage Elite w/ Stream Bath	½-bhp pump, heated blower, chromatherapy, ozone	1-20 amp

Hydrotherapy Package	Components Included	GFCI / 110V
Microbubbles with Air	Microbubbles pump, heated blower	1-20 amp
Microbubbles with Air Elite	Microbubbles pump, heated blower, chromatherapy	2-15 amp
Air with Whirlpool	2-bhp pump, heated blower	2-15 amp
Air with Ultra Whirlpool	2-bhp pump x 2, inline heater, heated blower, ozone	2-20 amp
Air Elite with Whirlpool	2-bhp pump, heated blower, chromatherapy	2-15 amp
Air Elite with Ultra Whirlpool	2-bhp pump x 2, inline heater, heated blower, chromatherapy, ozone	2-20 amp

Electrical requirements may change with the addition of optional therapy components. See specific option details or installation information. CSA Certified C/US; B45.5/IAPMO ANSI Z124.1 and ANSI 112.19.7

See the Installation & Operation Manual for more details. MTI's Customer Service Monday-Friday 8am-6pm EST 800-783-8827 or service@mtibaths.com

- Before discarding tub crate, check for accessories that may be packaged inside.
- All product measurements are ±1/2".
- Specifications and configurations are subject to change without notice.
- Measurements herein supersede all others published prior to publication date below.



Solitude

MODEL 70

71.5" x 37.25" x 23.75"

- Aromatherapy is eliminated for undermount applications
- Air Baths, Pre-Levelled Foam Base or Frame Systems increase overall height by 2-3".

Hydrotherapy Packages	Package Contents	Acrylic CXL®		DoloMatte®	
		Part #	MSRP	Part #	MSRP
Soaker	Soaking bath - no jets	S70	\$3,155	S70DM	\$3,740
Stream Bath	6 side vents, 2 end vents, 1/2 bhp pump, Ozone	SM70	\$5,635	SM70DM	\$6,215
Microbubbles	1 microbubbles infusion port and pump	M70	\$6,390	M70DM	\$6,970
Air Massage	20 air jets, heated air blower, Aromatherapy, pre-levelled foam base	AST70	\$6,710	AST70DM	\$7,290
Air Massage Elite	30 air jets, heated air blower, Aromatherapy, Chromatherapy LED lighting, Spa Mode, pre-levelled foam base	AE70	\$8,560	AE70DM	\$9,140
Stream Bath with Air Massage	6 side vents, 2 end vents, 1/2 bhp pump, Ozone, 20 air jets, heated air blower, Aromatherapy, pre-levelled foam base	ASTSM70	\$8,700	ASTSM70DM	\$9,280
Stream Bath with Air Massage Elite	6 side vents, 2 end vents, 1/2 bhp pump, Ozone, 30 air jets, heated air blower, Aromatherapy, Chromatherapy LED lighting, Spa Mode, pre-levelled foam base	AESM70	\$10,740	AESM70DM	\$11,325
Microbubbles with Air Massage	1 microbubbles infusion port and pump, 20 air jets, heated air blower, Aromatherapy, pre-levelled foam base	ASTM70	\$9,355	ASTM70DM	\$9,940
Microbubbles with Air Massage Elite	1 microbubbles infusion port and pump, 30 air jets, heated air blower, Aromatherapy, Chromatherapy LED lighting, Spa Mode, pre-levelled foam base	AEM70	\$11,110	AEM70DM	\$11,690
Standard Whirlpool	7 point-massage jets, 2-bhp pump	P70	\$5,460	P70DM	\$6,045
Ultra Whirlpool	6 point-massage jets, 9 micro-jets with Tsubo massage, 2 2-bhp pumps, inline heater, Ozone	P70U	\$7,405	P70UDM	\$7,985
Air Massage with Standard Whirlpool	7 point-massage jets, 2-bhp pump, 20 air jets, heated air blower, Aromatherapy, pre-levelled foam base	AW70	\$9,010	AW70DM	\$9,590
Air Massage with Ultra Whirlpool	6 point-massage jets, 9 micro jets with Tsubo massage, 2 2-bhp pumps, inline heater, 20 air jets, heated air blower, Aromatherapy, Ozone, pre-levelled foam base	AU70	\$10,950	AU70DM	\$11,535
Air Massage Elite with Standard Whirlpool	7 point-massage jets, 2-bhp pump, 30 air jets, heated air blower, Aromatherapy, Chromatherapy LED lighting, Spa Mode, pre-levelled foam base	AEAP70	\$10,860	AEAP70DM	\$11,445
Air Massage Elite with Ultra Whirlpool	6 point-massage jets, 9 micro-jets with Tsubo massage, 2 2-bhp pumps, inline heater, 30 air jets, heated air blower, Aromatherapy, Ozone, Chromatherapy LED lighting, Spa Mode, pre-levelled foam base	AEAP70U	\$11,930	AEAP70UDM	\$12,510

RECOMMENDED SENSORY THERAPIES

Chromatherapy

(LE) **\$880** underwater lighting
2 LED lights included

Audiotherapy

(STEREOBT) **\$1,535** 2 transducers with bluetooth and amplifier
(BTREMOTE) **\$660** bluetooth remote

(STEREOH202) **\$1,740** 4 transducers amplifier not included

Thermaltherapy

(RAD100) **\$1,760** Radiance®
2 heated zones included
(HTISOAK) **\$910**



For more information on options and accessories go to Acrylic Tub Options at mtibaths.com

Options <i>Must be ordered at time of purchase.</i>
Standard Colors White (CWH) DoloMatte available in matte white only. Biscuit (CBS) Not available for DoloMatte.
Quick Ship reduces lead time (QSPRI) \$475 <i>Please call for availability</i>
Inline Heater maintains water temperature For Soaker or Air Baths (HTISOAK) \$910 Includes a recirculating pump <i>Cannot be combined with Microbubbles.</i>
Virtual Spout high-flow integrated tub filler (FPMJ) \$500 <i>Virtual Spout location is left of the overflow, unless otherwise specified on order.</i>
Grab Bars from \$360 <i>Selections vary. Personalization available.</i>
Textured Bottom (TXTBTM) Acrylic CXL® only \$115 DoloMatte® exceeds ANSI A1371/A326.3 and AS HB198 slip tests.
Accessories
Pillows from \$200
Teak Bath Mat (TKMAT3018) \$880 <i>Custom sizes also available. Contact MTI for details and pricing.</i>
Teak Tub Tray Slatted (TK-TRAY1) \$540 Solid (TK-TRAY2) \$615

Hydrotherapy Equipment & Cleaning Systems <i>Must be ordered at time of purchase.</i>
Inline Heater maintains water temperature For Whirlpools or Stream Bath (HTI) \$630 Uses existing pump <i>Cannot be combined with Microbubbles.</i>
Whirlpool Cleaning System Fill-Flush (FFSO) \$650 <i>Must specify stub-out location on order. See page 1 for location options.</i>
Whirlpool Jets Pump upgrade may be advisable for optimal performance when adding jets. Point-Massage Jet Extra Point-Massage Jet (EJ) \$345 Micro-Jet from \$400 <i>Jet styles and packages vary. Personalization available.</i>
Pump Upgrade - 3-bhp (PUMP3) \$345
Jet Trim Kits For Standard Whirlpool Chrome (TRC) \$300 , Brushed Nickel (TRBN) \$800 For Ultra Whirlpool Chrome (TRCU) \$410 , Brushed Nickel (TRBNU) \$1,060
Ozonator (OZONE) \$565 <i>Cannot be added to soakers or airbaths without combination hydrotherapy package or HTISOAK.</i>

Installation Options *Must be ordered at time of purchase.*

Pre-Leveled Foam Base (PLFOAM) \$325
All airbaths include a pre-leveled foam base.

Drains & Overflow Kits

Cable Driven
Drain Finishes – PVC Drain Kit
White/Bone/Biscuit (WOCDW) \$485
Chrome (WOC) \$450
Brushed Nickel (WOCDBN) \$540
Polished Nickel (WOCDPN) \$595
Oil-Rubbed Bronze+ (WOCBOR) \$610
Polished Brass (WOCDBR) \$760
Special Finishes* (WOCDSF) \$1,250
<i>MTI does not offer a brass body cable drain kit.</i>
Lift & Turn
Drain Finishes – PVC Drain Kit
Chrome (WOC) \$205
White (WOW) \$270
Brushed Nickel (WOB) \$335

Toe Tap
Round Overflow – PVC Drain Kit
Chrome (WOTTC) \$420
Brushed Nickel (WOTTBN) \$425
Polished Nickel (WOTTPN) \$425
Special Finishes* (WOTTSF) \$1,260
Round Overflow – Solid Brass Drain
Chrome (WOTTSBC) \$895
Brushed Nickel (WOTTSBBN) \$895
Polished Nickel (WOTTSBPN) \$895

* MTI has selected an oil-rubbed bronze finish that is compatible with Delta and many other manufacturers. To ensure best match, order as a Special Finish and submit a sample.

* Allow 2-4 weeks lead time for Special Finishes. Send sample for best match.