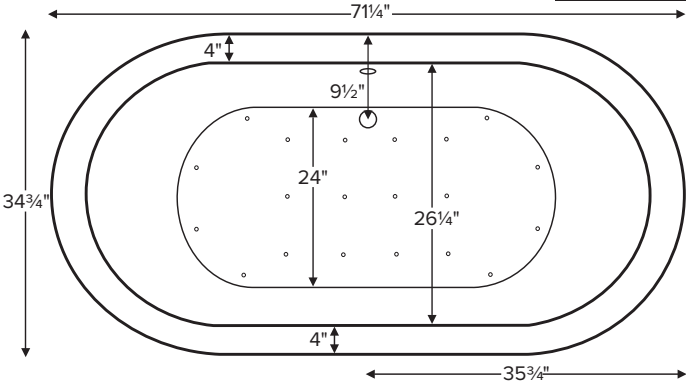


Melinda 1

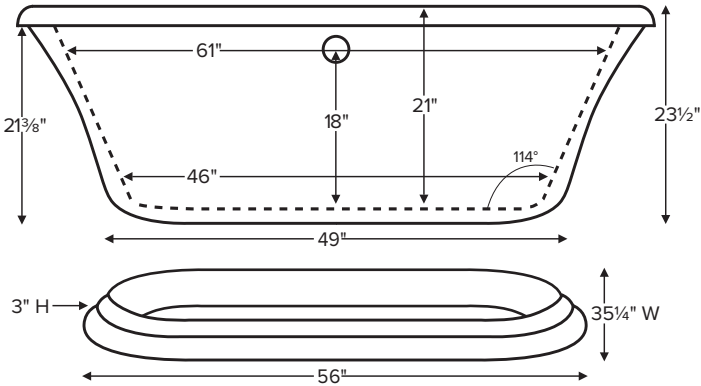


MODEL 74	
71.25" x 34.75" x 23.5" Optional pedestal: 56" x 35.25" x 3"	
FREESTANDING 75 gal to overflow	
Acrylic CXL®	DoloMatte®
121 lbs / 55 kg	<SOAKER> 136 lbs / 62 kg
Filling this tub to the maximum may require an above average size or dedicated water heater.	



Requires use of a wall-mounted or freestanding tub filler.

Shown with Air Massage Package.

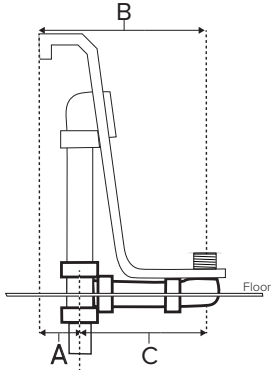


Optional one-piece pedestal base.



Drain Rough-In Measurements

A	B	C
4"	9 1/2"	5 1/2"



ELECTRICAL COMPONENTS & SPECIFICATIONS

Hydrotherapy Package	Components Included	110V GFCI
Air Massage	heated blower	1-15 amp
Air Massage Elite	heated blower, chromatherapy	1-15 amp

Electrical requirements may change with the addition of optional therapy components.
See specific option details or installation information.
CSA Certified C/US; B45.5/IAPMO ANSI Z124.1 and ANSI 112.19.7

See the Installation & Operation Manual for more details.
MTI's Customer Service: Monday-Friday 8am-6pm EST
800-783-8827 or service@mtibaths.com

- Before discarding tub packaging, check for accessories that may be packaged inside.
- All product measurements are ±1/2".
- Specifications and configurations are subject to change without notice.
- Measurements herein supersede all others published prior to publication date below.

IMPORTANT ORDERING & INSTALLATION INFORMATION:

- Before ordering or installing, please consider future access to equipment.
- Comes equipped with an access panel on the drain side for installation of waste and overflow.
- Optional pedestal ring does not increase the height of the tub.
- Air baths require job site preparations for remote mounting the blower.
- Hydrotherapy equipment may ship loose for remote installation depending on tub model. See package content on the following page for details.
- MTI will eliminate the access panel upon request. Installation will be more difficult.
- Radiance placed on floor locations will affect placement of air jets.
- Faucet valves cannot be installed on this tub model.
- All tubs are in accordance with CSA B45.5/IAPMO Z124 standard and compliant with ASTM C 1028-07 coefficient of friction. DoloMatte meets ANSI A137.1/A326.3 coefficient of friction and AS HB198:2014 pendulum slip resistance testing.

Melinda 1

MODEL 74

71.25" x 34.75" x 23.5"

Hydrotherapy Packages	Package Contents	Acrylic CXL®		DoloMatte®	
		Part #	MSRP	Part #	MSRP
Soaker	Soaking bath - no jets; includes a pre-leveled foam base.	S74A	\$6,030	S74ADM	\$6,810
		With pedestal S74B	\$7,270	With pedestal S74BDM	\$8,150
Air Massage	20 air jets, heated air blower, pre-leveled foam base. Blower and control boxes must be remote located.	AST74A	\$9,585	AST74ADM	\$10,365
		With pedestal AST74B	\$10,825	With pedestal AST74BDM	\$11,700
Air Massage Elite	30 air jets, heated air blower, Chromatherapy LED lighting, Spa Mode, pre-leveled foam base. Blower and control boxes must be remote located.	AE74A	\$11,435	AE74ADM	\$12,210
		With pedestal AE74B	\$12,675	With pedestal AE74BDM	\$13,550

RECOMMENDED SENSORY THERAPIES

Chromatherapy

(LE) **\$880** underwater lighting
2 LED lights included

Audiotherapy

(STEREOBT) **\$1,535** 2 transducers
with bluetooth and amplifier
(BTREMOTE) **\$660** bluetooth remote

(STEREOH202) **\$1,740** 4 transducers
amplifier not included

Thermltherapy

(RAD100) **\$1,760** Radiance®
2 heated zones included

Options <i>Must be ordered at time of purchase</i>
Standard Colors White (CWH) DoloMatte available in matte white only. Biscuit (CBS) Not available for DoloMatte.
Quick Ship reduces lead time (QSPRI) \$475 <i>Please call for availability</i>
Textured Bottom (TXTBTM) Acrylic CXL® only \$115 DoloMatte® exceeds ANSI A137.1/A326.3 and AS HB198 slip tests.
Virtual Spout high-flow integrated tub filler (FPMJ) \$500
Grab Bars from \$360 (1 set of 2) Grab bars are factory-installed to the left and right of the overflow. Go to Acrylic Tub Options on mtibaths.com for details before ordering. <i>Color and finish selections vary.</i>
Decorative Towel Bar Chrome (CHTOWEL) \$600 , Brushed Nickel (BNTOWEL) \$600

Accessories
Pillows from \$200
Teak Bath Mat (TKMAT3018) \$880 <i>Custom sizes also available. Contact MTI for details and pricing.</i>
Floor-Mounted High-Flow Tub Filler Traditional Brushed Nickel (FILLTBN) \$1,885
Faucet Stand SculptureStone® Standard
Small 3-hole capacity 14¼" w x 21¾" h Matte (STAND) \$780
Large 5-hole capacity 22" w x 21¾" h Matte (STANDL) \$925

Melinda 1

MODEL 74

71.25" x 34.75" x 23.5"

Cable Driven

Turn the overflow knob clockwise to open the drain, then counterclockwise to close the drain.



Drain Finishes - PVC Drain Kit

- White/Bone/Biscuit (WOCDW) **\$485**
- Chrome (W OCD) **\$450**
- Brushed Nickel (WOCDBN) **\$540**
- Polished Nickel (WOCDPN) **\$595**
- Oil-Rubbed Bronze[†] (WOCBOR) **\$610**
- Polished Brass (WOCDBR) **\$760**
- Special Finishes* (WOCDSF) **\$1,250**

MTI does not offer a brass body cable drain kit.

Lift & Turn

Simple lift & turn to open. Lift, turn & release to close.



Drain Finishes - PVC Drain Kit

- Chrome (WOC) **\$205**
- White (WOW) **\$270**
- Brushed Nickel (WOBN) **\$335**

Toe Tap Push down on drain cover to open and close.



Round Overflow - PVC Drain Kit

- Chrome (WOTTC) **\$420**
- Brushed Nickel (WOTTBN) **\$425**
- Polished Nickel (WOTTPN) **\$425**
- Special Finishes* (WOTTSF) **\$1,260**



Round Overflow - Solid Brass Drain

- Chrome (WOTTSBC) **\$895**
- Brushed Nickel (WOTTSBBN) **\$895**
- Polished Nickel (WOTTSBPN) **\$895**



Rectangular Overflow - PVC Drain Kit

- Chrome (WOTRC) **\$520**
- Brushed Nickel (WOTRBN) **\$475**
- White (WOTRW) **\$580**

Rectangular Overflow kit must be specified when the tub is ordered.

Slim-Line Overflow with Toe Tap Drain

Sleek low profile overflow is factory-installed • Overflow measures 4.5" x 1"
Provides a deeper soak • Not available for commercial applications



Must be specified when the tub is ordered.
Available for select MTI Solutions Collection tubs only.

Slim-Line Overflow with Toe-Tap PVC Drain

- Chrome (SLOT) **\$550**
- Brushed Nickel (SLOTBN) **\$585**
- Polished Nickel (SLOTPN) **\$615**
- White (SLOTW) **\$475**



Slim-Line Overflow with Toe-Tap Solid Brass Drain

- Chrome (SLOTSBC) **\$1,025**
- Brushed Nickel (SLOTSBBN) **\$1,030**
- Polished Nickel (SLOTSBPN) **\$1,030**
- White (SLOTSBW) **\$1,065**

See individual tub specification sheets for availability.

* Allow 2-4 weeks lead time for Special Finishes.
Send sample for best match.

[†]Oil Rubbed Bronze finishes vary among manufacturers.
MTI has selected a finish that is compatible with many available.
To ensure best match, order as a Special Finish and submit a sample.

NOTE:

MTI does not warrant drain kits or finishes, though drain kits may carry a direct factory warranty from the manufacturer. Proper drain installation is the responsibility of the installer. MTI's tub warranty does not cover drain leakage.