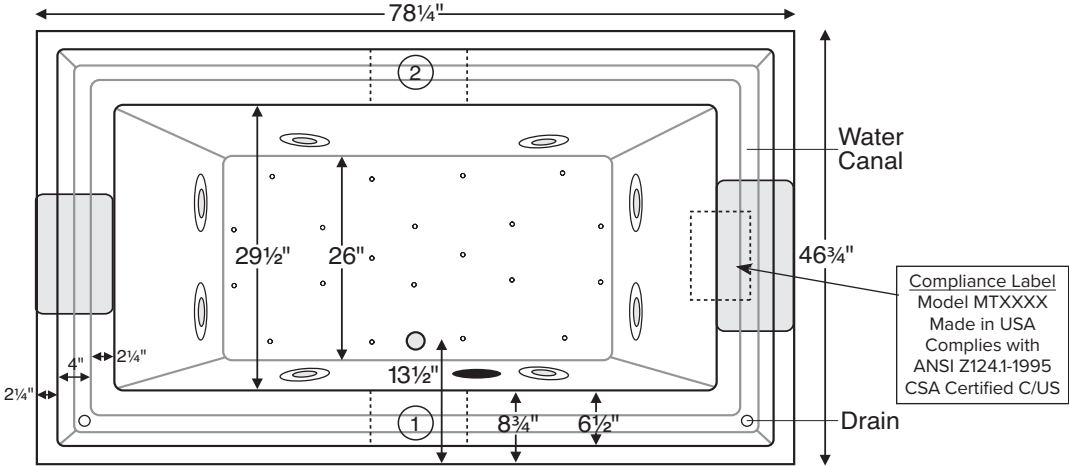


Caribe

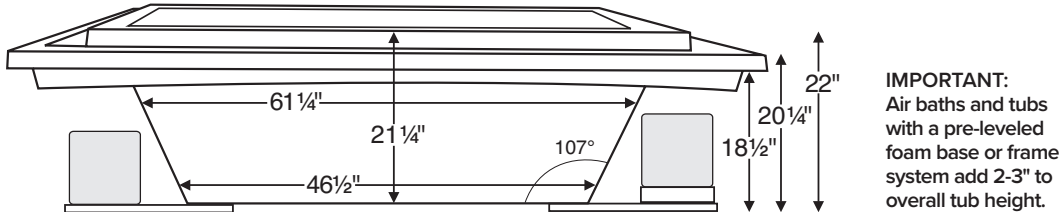


Overflow tub featuring a water canal around the perimeter.

MODEL 89
78.25" x 46.75" x 22"
DROP-IN or UNDERMOUNT <i>Not recommended as a tub/shower combination</i> 103 gal to overflow
Acrylic CXL®
135 lbs / 61 kg soaker 180 lbs / 82 kg plumbed
Filling this tub to the maximum may require an above average size or dedicated water heater.



Dotted lines indicate a raised, level deck area which is optional for valves and required for whirlpool. Air bath control must be mounted adjacent to the tub and is shipped loose when ordered without deck plugs. Shown with Air Massage and Ultra Whirlpool Package.



IMPORTANT ORDERING & INSTALLATION INFORMATION

- Before ordering or installing, please consider future access to equipment.
- Add proper bedding compound to fully level and support bottom of tub.
- When equipped with an air bath package, pre-leveled foam base or frame system, overall tub height is increased by approx. 2-3" and is designed to install on a flat, level subfloor.
- Radiance placed on airbath floor will affect placement of air jets.
- System components may extend beyond the perimeter of deck.
- Please measure tub **on-site** before building tub decking.
- Advise MTI when planning to use a glass enclosure. Relocation of controls may be necessary.
- Suction and control locations may vary.
- All tubs are compliant with ASTM C 1028-07 coefficient of friction. DoloMatte meets ANSI A137.1/ A326.3 coefficient of friction and AS HB198:2014 slip tests.

ELECTRICAL COMPONENTS & SPECIFICATIONS

Hydrotherapy Package	Components Included	GFCI / 110V
Standard Whirlpool	2-bhp pump	1-15 amp
Microbubbles	Microbubbles pump	1-15 amp
Ultra Whirlpool	3-bhp pump, inline heater, ozone	2-20 amp
Air Massage	heated blower	1-15 amp
Air Massage Elite	heated blower, chromatherapy	1-15 amp

Electrical requirements may change with the addition of optional therapy components. See specific option details or installation information. CSA Certified C/US; B45.5/IAPMO ANSI Z124.1 and ANSI 112.19.7

Hydrotherapy Package	Components Included	GFCI / 110V
Microbubbles with Air	Microbubbles pump, heated blower	1-20 amp
Microbubbles with Air Elite	Microbubbles pump, heated blower, chromatherapy	2-15 amp
Air with Whirlpool	2-bhp pump, heated blower	2-15 amp
Air with Ultra Whirlpool	3-bhp pump, inline heater, heated blower, ozone	2-20 amp
Air Elite with Whirlpool	2-bhp pump, heated blower, chromatherapy	2-15 amp
Air Elite with Ultra Whirlpool	3-bhp pump, inline heater, heated blower, chromatherapy, ozone	2-20 amp

See the Installation & Operation Manual for more details. MTI's Customer Service Monday-Friday 8am-6pm EST 800-783-8827 or service@mtibaths.com

- Before discarding tub crate, check for accessories that may be packaged inside.
- All product measurements are ±1/2".
- Specifications and configurations are subject to change without notice.
- Measurements herein supersede all others published prior to publication date below.



- Aromatherapy is eliminated for undermount applications
- Air Baths, Pre-Leveled Foam Base or Frame Systems increase overall height by 2-3".

Caribe

MODEL 89

78.25" x 46.75" x 22"

Hydrotherapy Packages	Package Contents	Part #	MSRP
Soaker	Soaking bath - no jets	S89-DI	\$4,440
		S89-UM	
Microbubbles	1 microbubbles infusion port and pump	M89-DI	\$7,520
		M89-UM	
Air Massage	20 air jets, heated air blower, pre-leveled foam base	AST89-DI	\$7,825
		AST89-UM	
Air Massage Elite	30 air jets, heated air blower, Chromatherapy LED lighting, Spa Mode, pre-leveled foam base	AE89-DI	\$9,585
		AE89-UM	
Microbubbles with Air Massage	1 microbubbles infusion port and pump, 20 air jets, heated air blower, pre-leveled foam base	ASTM89-DI	\$10,345
		ASTM89-UM	
Microbubbles with Air Massage Elite	1 microbubbles infusion port and pump, 30 air jets, heated air blower, Chromatherapy LED lighting, Spa Mode, pre-leveled foam base	AEM89-DI	\$12,015
		AEM89-UM	
Standard Whirlpool	6 point-massage jets, 2-bhp pump, inline heater	P89-DI	\$7,085
		P89-UM	
Ultra Whirlpool	8 point-massage jets, 3-bhp pump, inline heater, Ozone	P89U-DI	\$9,570
		P89U-UM	
Air Massage with Standard Whirlpool	6 point-massage jets, 2-bhp pump, inline heater, 20 air jets, heated air blower, pre-leveled foam base	AW89-DI	\$10,470
		AW89-UM	
Air Massage with Ultra Whirlpool	8 point-massage jets, 3-bhp pump, inline heater, 20 air jets, heated air blower, Ozone, pre-leveled foam base	AU89-DI	\$12,955
		AU89-UM	
Air Massage Elite with Standard Whirlpool	6 point-massage jets, 2-bhp pump, inline heater, 30 air jets, heated air blower, Chromatherapy LED lighting, Spa Mode, pre-leveled foam base	AEAP89-DI	\$12,230
		AEAP89-UM	
Air Massage Elite with Ultra Whirlpool	8 point-massage jets, 3-bhp pump, inline heater, 30 air jets, heated air blower, Ozone, Chromatherapy LED lighting, Spa Mode, pre-leveled foam base	AEAP89U-DI	\$13,880
		AEAP89U-UM	

RECOMMENDED SENSORY THERAPIES

**Chromatherapy**

(LE) **\$840** underwater lighting  
2 LED lights included

**Audiotherapy**

(STEREOBT) **\$1,460** 2 transducers with bluetooth and amplifier  
(BTREMOTE) **\$630** bluetooth remote

(STEREOH202) **\$1,655** 4 transducers amplifier not included

**Thermaltherapy**

(RAD100) **\$1,675** Radiance®  
2 heated zones included  
(HTISOAK) **\$865**



For more information on options and accessories go to Acrylic Tub Options at mtibaths.com

<b>Options</b> <i>Must be ordered at time of purchase.</i>
<b>Standard Colors</b> White (CWH) DoloMatte available in matte white only. Biscuit (CBS) Not available for DoloMatte.
<b>Quick Ship</b> reduces lead time (QSPRI) <b>\$450</b> <i>Please call for availability</i>
<b>Inline Heater</b> maintains water temperature <b>For Soaker or Air Baths (HTISOAK) \$865</b> Includes a recirculating pump <i>Cannot be combined with Microbubbles.</i>
<b>Virtual Spout</b> high-flow integrated tub filler (FPMJ) <b>\$475</b> <i>Virtual Spout location is left of the overflow, unless otherwise specified on order.</i>
<b>Textured Bottom</b> (TXTBTM) Acrylic CXL® only <b>\$110</b> DoloMatte® exceeds ANSI A1371/A326.3 and AS HB198 slip tests.
<b>Accessories</b>
<b>Pillows</b> from <b>\$190</b>
<b>Teak Bath Mat</b> (TKMAT3018) <b>\$840</b> <i>Custom sizes also available. Contact MTI for details and pricing.</i>
<b>Teak Tub Tray</b> Slatted (TK-TRAY1) <b>\$515</b> Solid (TK-TRAY2) <b>\$585</b>

<b>Hydrotherapy Equipment &amp; Cleaning Systems</b> <i>Must be ordered at time of purchase.</i>
<b>Inline Heater</b> maintains water temperature <b>For Whirlpools or Stream Bath (HTI) \$600</b> Uses existing pump <i>Cannot be combined with Microbubbles.</i>
<b>Whirlpool Cleaning System</b> <b>Fill-Flush (FFSO) \$620</b> <i>Must specify stub-out location on order. See page 1 for location options.</i>
<b>Whirlpool Jets</b> Pump upgrade may be advisable for optimal performance when adding jets. <b>Point-Massage Jet</b> Extra Point-Massage Jet (EJ) <b>\$330</b> <b>Micro-Jet</b> from <b>\$380</b> <i>Jet styles and packages vary. Personalization available.</i>
<b>Pump Upgrade</b> - 3-bhp (PUMP3) <b>\$330</b>
<b>Jet Trim Kits</b> <b>For Standard Whirlpool</b> Chrome (TRC) <b>\$285</b> , Brushed Nickel (TRBN) <b>\$760</b> <b>For Ultra Whirlpool</b> Chrome (TRCU) <b>\$390</b> , Brushed Nickel (TRBNU) <b>\$1,010</b>
<b>Ozonator</b> (OZONE) <b>\$540</b> <i>Cannot be added to soakers or airbaths without combination hydrotherapy package or HTISOAK.</i>

<b>Installation Options</b> <i>Must be ordered at time of purchase.</i>
<b>Pre-Leveled Foam Base</b> (PLFOAM) <b>\$310</b> All airbaths include a pre-leveled foam base.
<b>Tile Flange</b> <b>Factory-Installed on 3 sides</b> - rigid ABS (TFK3) <b>\$210</b> <b>Field Install Kit</b> - includes rigid ABS & adhesive (TFKNI) <b>\$195</b> <b>IMPORTANT:</b> <i>Must specify flange location(s) on order of Factory-Installed Flange. Not available with optional Low-Profile Rim.</i>

<b>Drains &amp; Overflow Kits</b>
<ul style="list-style-type: none"> <li>Caribe toe tap kit in chrome finish included</li> <li>Overflow runs along the top perimeter of the tub, providing a deeper soak</li> <li>2 fixed overflow fittings within the channel to facilitate drainage</li> </ul>
<b>Caribe Dual Overflow Toe Tap</b> PVC Drain Kit <b>Chrome</b> – included with tub <b>Brushed Nickel</b> upcharge (WOCARIBEBN) <b>\$130</b> <b>Special Finish</b> upcharge (WOCARIBESF) <b>\$1,105</b>

**CARIBE SINGLE DECK**

Must be specified at the time of ordering

- Caribe may be ordered with a single mounting deck to accommodate deck mounted valves and controls.
- A deck is **required** for mounting the whirlpool controls.
- This 12" x 6½" deck may be positioned on either the front or rear side of the tub in the center of the water canal.
- Deck does not interrupt the operation of the overflow function.
- If more mounting space is required, see details for Caribe Dual Decks.

**IMPORTANT:** , MTI must be advised when a glass enclosure is planned. Controls may need to be relocated.

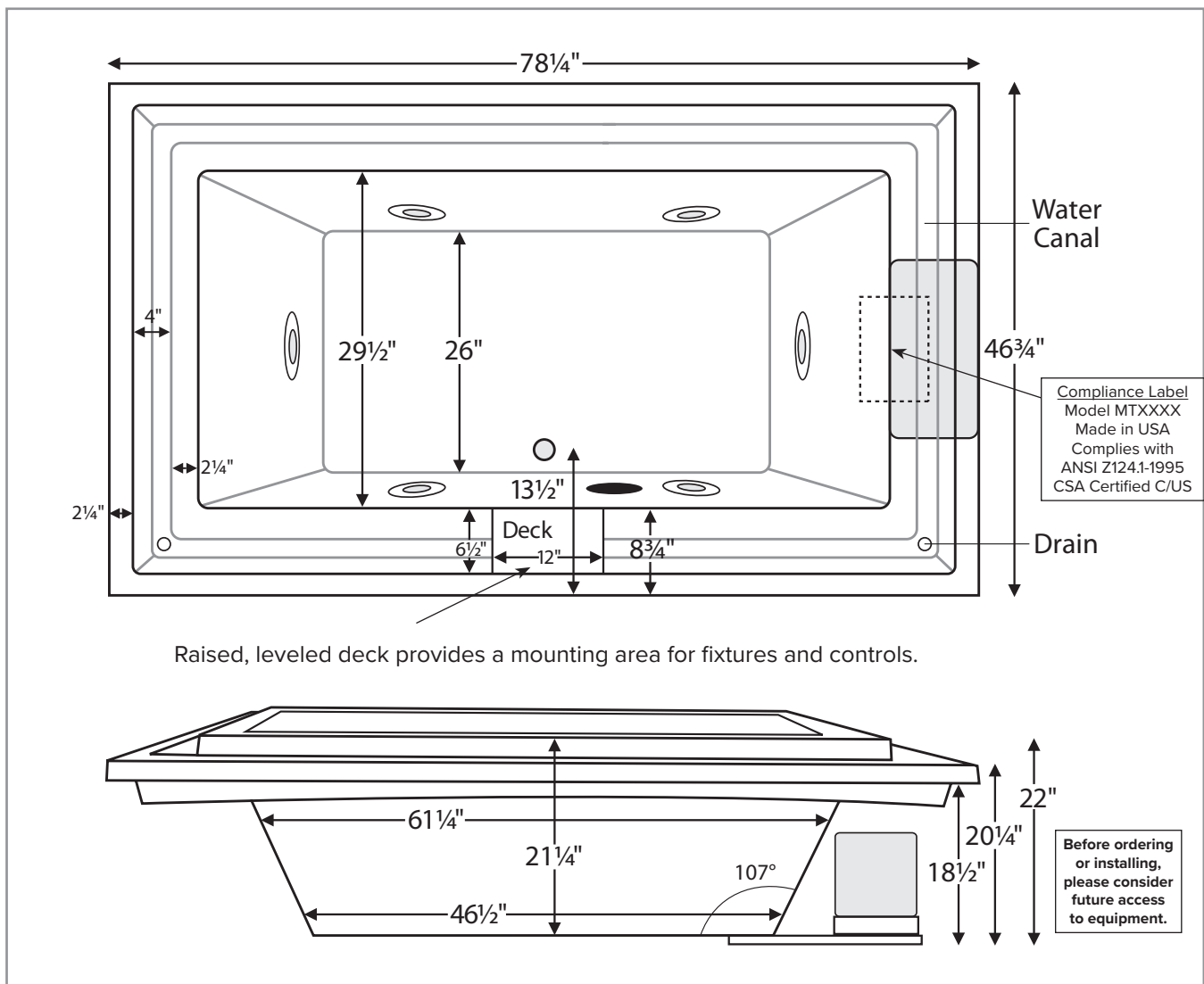
**Caribe**

MODEL 89

(Continued) with Optional Single Deck



Shown with single mounting deck.



Raised, leveled deck provides a mounting area for fixtures and controls.

**CARIBE DUAL DECKS**

**Must be specified at the time of ordering**

- Caribe may be ordered with dual mounting decks to accommodate deck mounted valves and controls.
- A deck is **required** for mounting the whirlpool controls.
- These 12" x 6½" decks are located on the front and rear sides of the tub in the center of the water canal.
- Deck does not interrupt the operation of the overflow function.
- If less mounting space is required, see details for Caribe Single Decks.

**IMPORTANT:** , MTI must be advised when a glass enclosure is planned. Controls may need to be relocated.

Caribe  
MODEL 89

(Continued) with Optional Dual Deck



Shown with dual mounting decks.

